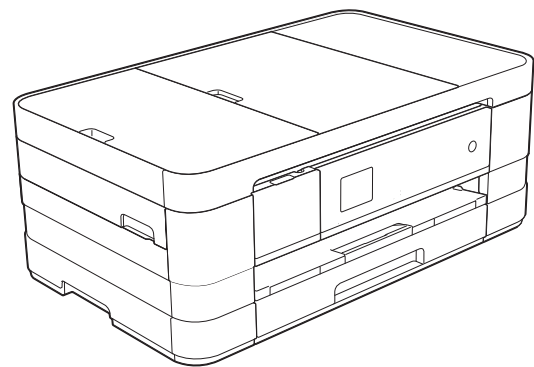


Basic User's Guide

MFC-J4310DW
MFC-J4410DW
MFC-J4610DW



If you need to call Customer Service

Complete the following information for future reference:

Model Number: MFC-J4310DW, MFC-J4410DW and MFC-J4610DW (Circle your model number)

Serial Number: ¹ _____

Date of Purchase: _____

Place of Purchase: _____

¹ **The serial number is on the back of the unit. Retain this User's Guide with your sales receipt as a permanent record of your purchase, in the event of theft, fire or warranty service.**

Register your product on-line at

<http://www.brother.com/registration/>

By registering your product with Brother, you will be recorded as the original owner of the product. Your registration with Brother:

- may serve as confirmation of the purchase date of your product should you lose your receipt;
- may support an insurance claim by you in the event of product loss covered by insurance; and,
- will help us notify you of enhancements to your product and special offers.

The most convenient and efficient way to register your new product is on-line at <http://www.brother.com/registration/>.

Brother numbers

IMPORTANT

For technical help, you must call the country where you bought the machine. Calls must be made **from within** that country.

Register your product

By registering your product with Brother International Corporation, you will be recorded as the original owner of the product. Your registration with Brother:

- may serve as confirmation of the purchase date of your product should you lose your receipt;
- may support an insurance claim by you in the event of product loss covered by insurance; and,
- will help us notify you of enhancements to your product and special offers.

For your convenience and most efficient way to register your new product, register on-line at

<http://www.brother.com/registration/>

FAQs (frequently asked questions)

The Brother Solutions Center is our one-stop resource for all your Fax Machine/Multi-Function Center needs. You can download the latest software documents and utilities, read FAQs and troubleshooting tips, and learn how to get the most from your Brother product.

<http://solutions.brother.com/>

NOTE

- You can check here for Brother driver updates.
 - To keep your machine performance up to date, check here for the latest firmware upgrade.
-

For Customer Service

In USA: <http://www.brother-usa.com/support> (Self-Service/Email/Chat)
1-877-BROTHER (1-877-276-8437)
1-901-379-1215 (assistance via fax)
1-877-268-9575 (test your fax sending and fax receiving operations)

In Canada: 1-877-BROTHER
(514) 685-4898 (assistance via fax)

Service Center Locator (USA only)

For the location of a Brother authorized service center, call 1-877-BROTHER (1-877-276-8437) or visit us at <http://www.brother-usa.com/service/>.

Service Center Locations (Canada only)

For the location of a Brother authorized service center, call 1-877-BROTHER.

Ordering accessories and supplies

For best quality results use only genuine Brother accessories, which are available at most Brother retailers. If you cannot find the accessory you need and you have a Visa, MasterCard, Discover, or American Express credit card, you can order accessories directly from Brother. (You can visit us online for a complete selection of the Brother accessories and supplies that are available for purchase.)

NOTE

In Canada only Visa and MasterCard are accepted.

In USA: 1-877-552-MALL (1-877-552-6255)
1-800-947-1445 (assistance via fax)

<http://www.brothermall.com/>

In Canada: 1-877-BROTHER

<http://www.brother.ca/>

Accessories and Supplies

Description	Item
Ink Cartridge Super High Yield <black>	LC107BK (Prints approx. 1,200 pages) ¹
Ink Cartridge Super High Yield <yellow>	LC105Y (Prints approx. 1,200 pages) ¹
Ink Cartridge Super High Yield <cyan> (blue)	LC105C (Prints approx. 1,200 pages) ¹
Ink Cartridge Super High Yield <magenta> (red)	LC105M (Prints approx. 1,200 pages) ¹
Ink Cartridge High Yield <black>	LC103BK (Prints approx. 600 pages) ¹
Ink Cartridge High Yield <yellow>	LC103Y (Prints approx. 600 pages) ¹
Ink Cartridge High Yield <cyan> (blue)	LC103C (Prints approx. 600 pages) ¹
Ink Cartridge High Yield <magenta> (red)	LC103M (Prints approx. 600 pages) ¹
Premium Plus Glossy Photo Paper (Ledger size / 20 sheets) ² (Letter size / 20 sheets) (4" × 6" size / 20 sheets)	BP71GLGR BP71GLTR BP71GP20
Multipurpose Paper - Plain Paper (Letter size / 500 sheets)	BP60MPLTR (USA only)
Plain Inkjet Paper (Ledger size / 100 sheets) ²	BP60PLGR (USA only)
Telephone Line Cord	LG3077001 (USA only)
Basic User's Guide	LEL074001 (English for USA and Canada) LEL074002 (French for Canada)
CD ROM for Windows® & Mac	LED934001 (MFC-J4310DW) LED946001 (MFC-J4410DW) LED936001 (MFC-J4610DW)

¹ For more information about the replacement consumables, visit us at <http://www.brother.com/pageyield/>.

² Ledger paper can only be used in the Manual Feed Slot.

Notice - Disclaimer of Warranties (USA and Canada)

BROTHER'S LICENSOR(S), AND THEIR DIRECTORS, OFFICERS, EMPLOYEES OR AGENTS (COLLECTIVELY BROTHER'S LICENSOR) MAKE NO WARRANTIES, EXPRESS OR IMPLIED, INCLUDING WITHOUT LIMITATION THE IMPLIED WARRANTIES OF MERCHANTABILITY AND FITNESS FOR A PARTICULAR PURPOSE, REGARDING THE SOFTWARE. BROTHER'S LICENSOR(S) DOES NOT WARRANT, GUARANTEE OR MAKE ANY REPRESENTATIONS REGARDING THE USE OR THE RESULTS OF THE USE OF THE SOFTWARE IN TERMS OF ITS CORRECTNESS, ACCURACY, RELIABILITY, CURRENTNESS OR OTHERWISE. THE ENTIRE RISK AS TO THE RESULTS AND PERFORMANCE OF THE SOFTWARE IS ASSUMED BY YOU. THE EXCLUSION OF IMPLIED WARRANTIES IS NOT PERMITTED BY SOME STATES IN THE USA AND SOME PROVINCES IN CANADA. THE ABOVE EXCLUSION MAY NOT APPLY TO YOU.

IN NO EVENT WILL BROTHER'S LICENSOR(S) BE LIABLE TO YOU FOR ANY CONSEQUENTIAL, INCIDENTAL OR INDIRECT DAMAGES (INCLUDING DAMAGES FOR LOSS OF BUSINESS PROFITS, BUSINESS INTERRUPTION, LOSS OF BUSINESS INFORMATION, AND THE LIKE) ARISING OUT OF THE USE OR INABILITY TO USE THE SOFTWARE EVEN IF BROTHER'S LICENSOR HAS BEEN ADVISED OF THE POSSIBILITY OF SUCH DAMAGES. BECAUSE SOME STATES IN THE USA AND SOME PROVINCES IN CANADA DO NOT ALLOW THE EXCLUSION OR LIMITATION OF LIABILITY FOR CONSEQUENTIAL OR INCIDENTAL DAMAGES, THE ABOVE LIMITATIONS MAY NOT APPLY TO YOU. IN ANY EVENT BROTHER'S LICENSOR'S LIABILITY TO YOU FOR ACTUAL DAMAGES FROM ANY CAUSE WHATSOEVER, AND REGARDLESS OF THE FORM OF THE ACTION (WHETHER IN CONTRACT, TORT (INCLUDING NEGLIGENCE), PRODUCT LIABILITY OR OTHERWISE), WILL BE LIMITED TO \$50.

Compilation and Publication Notice

Under the supervision of Brother Industries, Ltd., this manual has been compiled and published, covering the latest product descriptions and specifications.

The contents of this manual and the specifications of this product are subject to change without notice.

Brother reserves the right to make changes without notice in the specifications and materials contained herein and shall not be responsible for any damages (including consequential) caused by reliance on the materials presented, including but not limited to typographical and other errors relating to the publication.

User's Guides and where do I find them?

Which Guide?	What's in it?	Where is it?
Product Safety Guide	Read this Guide first. Read the Safety Instructions before you set up your machine. See this Guide for trademarks and legal limitations.	Printed / In the box
Quick Setup Guide	Follow the instructions for setting up your machine, and installing the drivers and software for the operating system and connection type you are using.	Printed / In the box
Basic User's Guide	Learn the basic Fax, Copy, Scan and PhotoCapture Center™ operations and how to replace consumables. See troubleshooting tips.	Printed / In the box
Advanced User's Guide	Learn more advanced operations: Fax, Copy, security features, printing reports and performing routine maintenance.	PDF file / CD-ROM
Software User's Guide	Follow these instructions for Printing, Scanning, Network Scanning, PhotoCapture Center™, Remote Setup, PC-Fax, Web Services (Scan), and using the Brother ControlCenter utility.	PDF file / CD-ROM
Network User's Guide	This Guide provides useful information about wired and wireless network settings and security settings using the Brother machine. You can also find supported protocol information for your machine and detailed troubleshooting tips.	PDF file / CD-ROM
Web Connect Guide	This Guide provides useful information about accessing Internet services from the Brother machine, as well as downloading images, printing data and uploading files directly to Internet services.	PDF file / Brother Solutions Center ¹
AirPrint Guide	This Guide provides information for using AirPrint to print from Mac OS X v10.7.x and your iPhone, iPod touch, iPad, or other iOS device to your Brother machine without installing a printer driver.	PDF file / Brother Solutions Center ¹
Google Cloud Print Guide	This Guide provides information about how to use Google Cloud Print™ services for printing over the Internet.	PDF file / Brother Solutions Center ¹
Wi-Fi Direct™ Guide	This Guide provides information about how to configure and use your Brother machine for wireless printing directly from a mobile device supporting the Wi-Fi Direct™ standard.	PDF file / Brother Solutions Center ¹
Mobile Print/Scan Guide for Brother iPrint&Scan	This Guide provides useful information about printing from your mobile device and scanning from your Brother machine to your mobile device when connected to a Wi-Fi network.	PDF file / Brother Solutions Center ¹

¹ Visit us at <http://solutions.brother.com/>.

Table of Contents

(Basic User's Guide)

1	General information	1
	Using the documentation	1
	Symbols and conventions used in the documentation	1
	Accessing the Advanced User's Guide, Software User's Guide and Network User's Guide.....	2
	Viewing User's Guides	2
	Accessing Brother Support (Windows®).....	4
	Accessing Brother Support (Macintosh)	5
	Control panel overview	6
	1.8" Touchscreen LCD	8
	Basic Operations	9
	Shortcut Settings	10
	Adding Shortcuts	11
	Changing Shortcuts	11
	Deleting Shortcuts	12
	Using Shortcuts	12
2	Loading paper	13
	Loading paper and other print media.....	13
	Loading paper in paper tray #1.....	13
	Loading smaller paper (Photo, Photo L and envelopes)	16
	Loading paper in paper tray #2 (MFC-J4610DW)	20
	Loading paper in the manual feed slot	22
	Unprintable area	26
	Paper settings.....	27
	Paper Size and Type (MFC-J4310DW and MFC-J4410DW).....	27
	Paper Size and Type (MFC-J4610DW).....	28
	Tray use in Copy mode (MFC-J4610DW)	28
	Tray use in Fax mode (MFC-J4610DW).....	29
	Acceptable paper and other print media.....	29
	Recommended print media	30
	Handling and using print media	30
	Choosing the right print media.....	31
3	Loading documents	34
	How to load documents	34
	Using the ADF (MFC-J4410DW and MFC-J4610DW)	34
	Using the scanner glass	35
	Unscannable area	36

4	Sending a fax	37
	How to send a fax	37
	Stop faxing.....	38
	Setting scanner glass size for faxing	38
	Color fax transmission	39
	Canceling a fax in progress	39
	Transmission Verification Report.....	39
5	Receiving a fax	41
	Receive Modes	41
	Choose the correct Receive Mode	41
	Using Receive Modes.....	43
	Fax Only	43
	Fax/Tel.....	43
	Manual.....	43
	External TAD	43
	Receive Mode settings	44
	Ring Delay	44
	F/T Ring Time (Fax/Tel mode only).....	44
	Easy Receive.....	45
6	Telephone services and external devices	46
	Telephone services.....	46
	Voice Mail	46
	Distinctive Ring.....	47
	Voice over Internet Protocol (VoIP)	49
	Connecting an external TAD (telephone answering device).....	50
	Connections.....	51
	Recording an outgoing message (OGM) on the external TAD	51
	Multi-line connections (PBX)	52
	External and extension telephones.....	52
	Connecting an external or extension telephone	52
	Using external and extension telephones.....	53
	Using a non-Brother cordless external telephone	53
	Using remote codes.....	53
7	Dialing and storing numbers	55
	How to dial	55
	Manual dialing	55
	Speed Dialing	55
	Fax Redial	55
	Storing numbers	56
	Storing a pause	56
	Storing Speed Dial numbers.....	56
	Changing Speed Dial names or numbers.....	57

8	Making copies	58
	How to copy	58
	Stop copying	58
	Copy options	58
	Paper Type	59
	Paper Size	59
	Tray Select (MFC-J4610DW)	60
9	PhotoCapture Center™: Printing photos from a memory card or USB Flash memory drive	61
	PhotoCapture Center™ operations (PHOTO mode)	61
	Using a memory card or USB Flash memory drive	61
	Getting started	62
	Print Images	64
	View Photos	64
	PhotoCapture Center™ print settings	64
	How to scan to a memory card or USB Flash memory drive	65
10	How to print from a computer	66
	Printing a document	66
11	How to scan to a computer	67
	Before scanning	67
	Scanning a document as a PDF file using ControlCenter4 (Windows®)	68
	How to change the machine's Scan mode settings for PDF scanning	71
	How to scan a document as a PDF file using the Touchscreen	73
A	Routine maintenance	74
	Replacing the ink cartridges	74
	Cleaning and checking the machine	77
	Cleaning the scanner	77
	Cleaning the print head	78
	Checking the print quality	78
	Checking the print alignment	80

B	Troubleshooting	81
	Identifying the problem	81
	Error and Maintenance messages.....	83
	Error animation	92
	Transferring your faxes or Fax Journal report	92
	Document jam (MFC-J4410DW and MFC-J4610DW).....	93
	Printer jam or paper jam	95
	If you are having difficulty with your machine	102
	Dial Tone	115
	Telephone line interference / VoIP	115
	Machine Information	116
	Checking the serial number	116
	Reset functions.....	116
	How to reset the machine.....	116
C	Settings and features tables	117
	Using the Settings Tables.....	117
	Memory Storage	117
	Settings tables	118
	Features tables	135
	Entering Text	152
	Inserting spaces	152
	Making corrections	152
	Repeating letters	152
D	Specifications	153
	General	153
	Print media.....	156
	Fax.....	158
	Copy	159
	PhotoCapture Center™	160
	PictBridge	161
	Scanner	162
	Printer	163
	Interfaces	164
	Network.....	165
	Computer requirements	166
	Consumable items	167
E	Index	168

Table of Contents

(Advanced User's Guide)

The Advanced User's Guide explains the following features and operations.

You can view the Advanced User's Guide on the CD-ROM.

1 General setup

IMPORTANT NOTE

Memory Storage

Volume Settings

Automatic Daylight Saving Time

Sleep Mode

Touchscreen LCD

Dial Prefix

2 Security features

Secure Function Lock 2.0

3 Sending a fax

Additional sending options

Additional sending operations

Polling overview

4 Receiving a fax

Memory Receive (Black & White only)

Remote Retrieval

Additional receiving operations

Polling overview

5 Dialing and storing numbers

Voice operations

Additional dialing operations

Additional ways to store numbers

6 Printing reports

Fax reports

Reports

7 Making copies

Copy options

8 PhotoCapture Center™: Printing photos from a memory card or USB Flash memory drive

PhotoCapture Center™ operations

Print Images

PhotoCapture Center™ print settings

*Scan to a memory card or USB Flash
memory drive*

9 Printing photos from a camera

*Printing photos directly from a
PictBridge camera*

*Printing photos directly from a digital
camera (without PictBridge)*

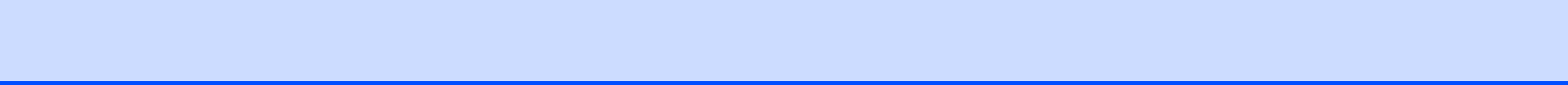
A Routine maintenance

Cleaning and checking the machine

Packing and shipping the machine

B Glossary

C Index



Using the documentation

Thank you for buying a Brother machine! Reading the documentation will help you make the most of your machine.

Symbols and conventions used in the documentation

The following symbols and conventions are used throughout the documentation.

WARNING

WARNING indicates a potentially hazardous situation which, if not avoided, could result in death or serious injuries.

CAUTION

CAUTION indicates a potentially hazardous situation which, if not avoided, may result in minor or moderate injuries.

IMPORTANT

IMPORTANT indicates a potentially hazardous situation which, if not avoided, may result in damage to property or loss of product functionality.

NOTE

Notes tell you how you should respond to a situation that may arise or give tips about how the operation works with other features.

 Electrical Hazard icons alert you to possible electrical shock.

Bold Bold typeface identifies the dial pad numbers of the Touchpanel and buttons on your computer screen.

Italics Italicized typeface emphasizes an important point or refers you to a related topic.


Courier New Text in Courier New font identifies messages on the Touchscreen of the machine.

Accessing the Advanced User's Guide, Software User's Guide and Network User's Guide

This Basic User's Guide does not contain all the information about the machine, such as how to use the advanced features for Fax, Copy, PhotoCapture Center™, Printer, Scanner, PC-Fax, and Network. When you are ready to learn detailed information about these operations, you can read the **Advanced User's Guide**, **Software User's Guide** and **Network User's Guide** that are on the CD-ROM.

Viewing User's Guides

(Windows®)

To view the documentation, from ,

All Programs, select **Brother**, **MFC-XXXX** (where XXXX is your model name) from the programs group, and then choose **User's Guides**.

If you have not installed the software, you can find the documentation on the CD-ROM by following the instructions below:

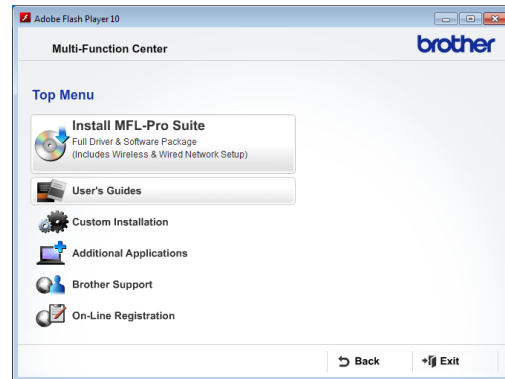
- 1 Turn on your PC. Insert the Brother CD-ROM into your CD-ROM drive.

NOTE

If the Brother screen does not appear, go to **Computer (My Computer)**, double-click the CD-ROM icon, and then double-click **start.exe**.

- 2 If the model name screen appears, click your model name.

- 3 If the language screen appears, click your language. The CD-ROM **Top Menu** will appear.



- 4 Click **User's Guides**.
- 5 Click **PDF documents**. If the country screen appears, select your country. After the list of User's Guides appears, choose the guide you want to read.

(Macintosh)

- 1 Turn on your Macintosh. Insert the Brother CD-ROM into your CD-ROM drive. The following window will appear.



- 2 Double-click the **User's Guides** icon.
- 3 Choose your language.
- 4 Click **User's Guides**. If the country screen appears, choose your country.
- 5 After the list of User's Guides appears, choose the Guide you want to read.

How to find Scanning instructions

There are several ways you can scan documents. You can find the instructions as follows:

Software User's Guide

- *Scanning*
- *ControlCenter*
- *Network Scanning*

Nuance™ PaperPort™ 12SE How-to-Guides (Windows®)

- The complete Nuance™ PaperPort™ 12SE How-to-Guides can be viewed from the Help section in the PaperPort™ 12SE application.

Presto! PageManager User's Guide (Macintosh)

NOTE

Presto! PageManager is available as a download from
[http://nj.newsoft.com.tw/download/
brother/PM9SEInstaller_BR_multilang.dmg](http://nj.newsoft.com.tw/download/brother/PM9SEInstaller_BR_multilang.dmg)

- The complete Presto! PageManager User's Guide can be viewed from the Help section in the Presto! PageManager application.

How to find Network setup instructions

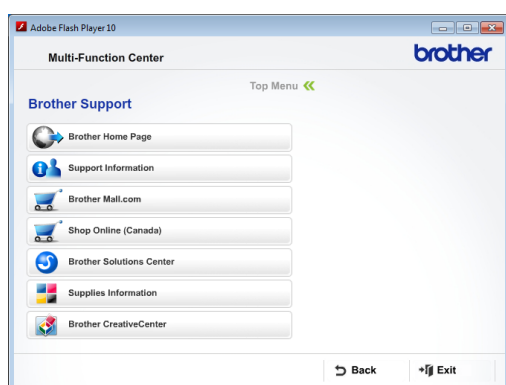
Your machine can be connected to a wireless or wired network.

- Basic setup instructions
(See Quick Setup Guide.)
- The wireless access point or router supports Wi-Fi Protected Setup™ or AOSS™
(See Quick Setup Guide.)
- More information about network setup
(See Network User's Guide.)

Accessing Brother Support (Windows®)

You can find all the contacts you will need, such as Web support (Brother Solutions Center), Customer Service and Brother Authorized Service Centers in *Brother numbers* on page i and on the CD-ROM.

- Click **Brother Support** on the **Top Menu**. The following screen will appear:



- To access the Brother CreativeCenter (<http://www.brother.com/creativecenter/>) for FREE photo projects and printable downloads, click **Brother CreativeCenter**.
- To return to the **Top Menu**, click **Back** or if you are finished, click **Exit**.
- To access our website (<http://www.brother.com/>), click **Brother Home Page**.
- To view all Brother Numbers, including Customer Service numbers for the USA and Canada, click **Support Information**.
- To access the USA Brother online shopping mall (<http://www.brothermall.com/>) for additional product and services information, click **Brother Mall.com**.
- To access Canada's Brother online shopping mall (<http://www.brother.ca/>) for additional product and services information, click **Shop Online (Canada)**.
- For the latest news and product support information (<http://solutions.brother.com/>), click **Brother Solutions Center**.
- To visit our website for genuine Brother Supplies (<http://www.brother.com/original/>), click **Supplies Information**.

Accessing Brother Support (Macintosh)

You can find all the contacts you will need, such as Web support (Brother Solutions Center) on the CD-ROM.

- Double-click the **Brother Support** icon. The following screen will appear:

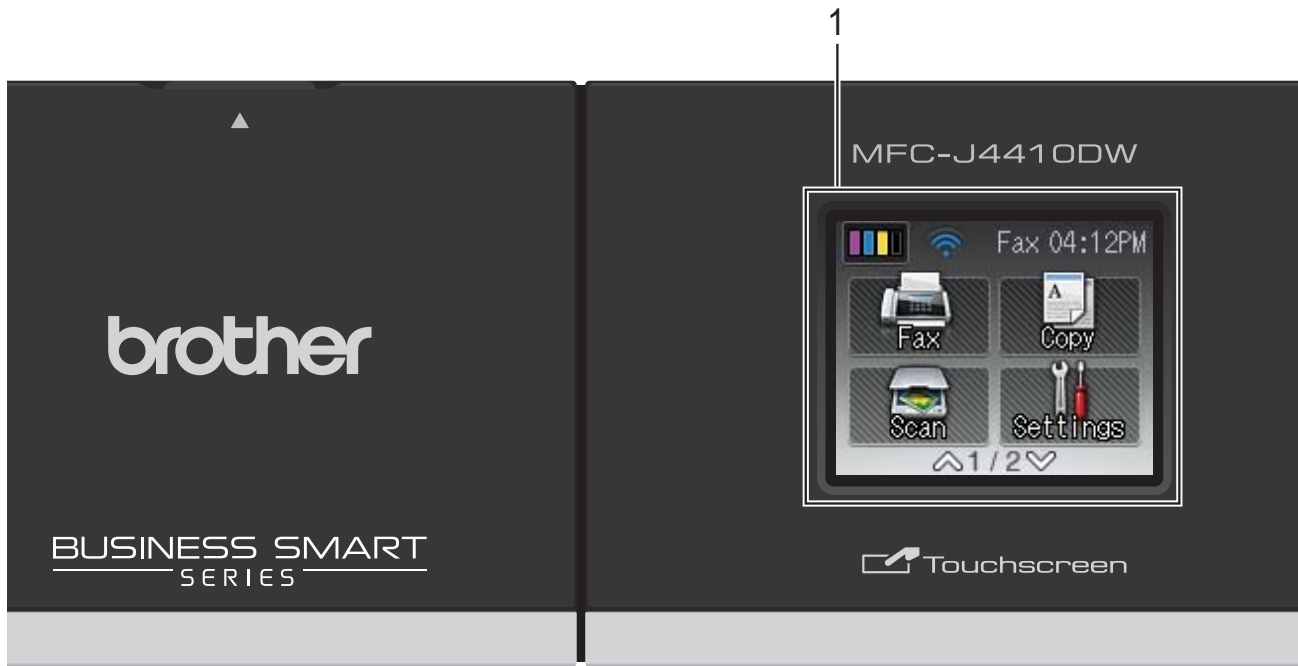


- To download and install Presto! PageManager, click **Presto! PageManager**.
- To access the Brother Web Connect page, click **Brother Web Connect**.
- To register your machine from the Brother Product Registration Page (<http://www.brother.com/registration/>), click **On-Line Registration**.
- For the latest news and product support information (<http://solutions.brother.com/>), click **Brother Solutions Center**.
- To visit our website for genuine Brother Supplies (<http://www.brother.com/original/>), click **Supplies Information**.

Control panel overview

MFC-J4310DW, MFC-J4410DW and MFC-J4610DW have the same 1.8" Touchscreen LCD and Touchpanel ¹.

¹ This is a Touchscreen LCD with an electrostatic Touchpanel that only shows the LEDs that can be used.



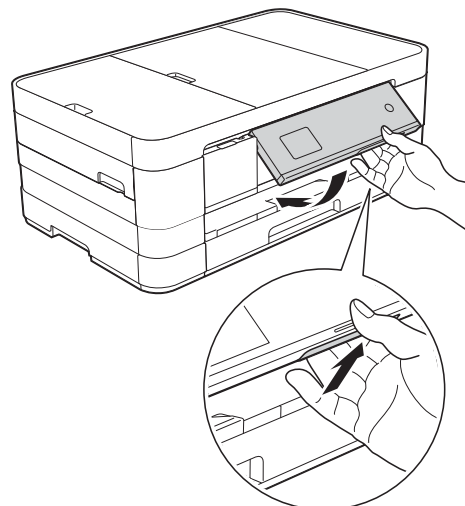
NOTE

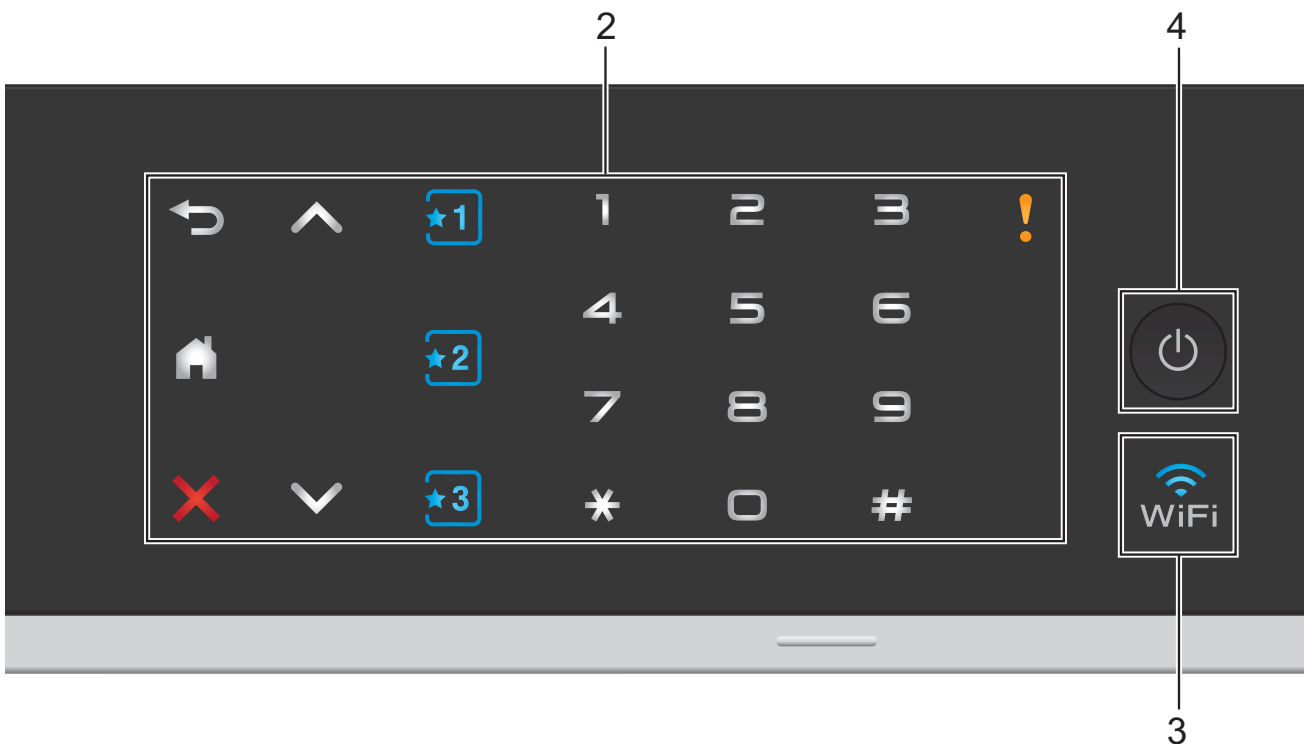
Most of the illustrations in this User's Guide show the MFC-J4410DW.

1 1.8" Touchscreen LCD (Liquid Crystal Display)

This is a Touchscreen LCD. You can access the menus and options by pressing them as they are displayed on this screen.

You can adjust the angle of the Touchscreen LCD and Touchpanel by lifting it. To lower this control panel, push the release button that is located behind the mark, as shown in the illustration.








2 Touchpanel:


The LEDs on the Touchpanel only light up when they are available for use.

- **Back**
Press to go back to the previous menu level.
- **Home**
Press to return to the Home screen.
- **Cancel**
Press to cancel an operation when illuminated in red.
- **Up or Down**
Press to display the previous or next page. The Up and Down arrows do not light up when there is only one page.


- **Shortcut**
Press to use preset Shortcut settings. These are always lit, even when you have not yet added your Shortcut settings. Press to display instructions about how to set up a Shortcut.
- **Dial Pad**
Press the numbers on the Touchpanel to dial telephone or fax numbers and to enter the number of copies.
- **Warning icon**
The warning icon lights up when there is an error or maintenance message. Press to view the instruction on the Touchscreen. For information about error messages, see *Error and Maintenance messages* on page 83.

- 3  The WiFi light is on when the network interface is set to WLAN.

- 4  **Power On/Off**
Press  to turn the machine on.

Press and hold down  to turn the machine off. The Touchscreen LCD will show *Shutting Down* and will stay on for a few seconds before turning itself off.



If you have connected an external telephone or TAD, it is always available.




If you turn the machine off using , it will still periodically clean the print head to maintain print quality. To prolong the life of the print head, provide better ink efficiency and maintain print quality, you should keep your machine connected to the power at all times.


1.8" Touchscreen LCD



The Touchscreen LCD shows the machine's status when the machine is idle.






- 1  **Ink**
Lets you see the available ink volume. Also, lets you access the *Ink* menu.
 will not appear if received faxes are in the memory.

- 2  **Fax**
Lets you access Fax mode.
- 3  **Copy**
Lets you access Copy mode.
- 4  **Settings**
Lets you access the full Settings menu.

- 5  **Scan**
Lets you access Scan mode.

- 6  **Web**
Lets you connect the Brother machine to an Internet service when you press , and then press .
For more information, see the Web Connect Guide.

- 7  **Photo**
Lets you access Photo mode when you press , and then press .

- 8 **Receive Mode**
Lets you see the current Receive Mode.
 - Fax (Fax Only)
 - F/T (Fax/Tel)
 - TAD (External TAD)
 - Mn1 (Manual)

9 Wireless Status


A four-level indicator on the Ready mode screen shows the current wireless signal strength if you are using a wireless connection.



If you see **WiFi** at the top on the screen, you can easily configure the wireless settings by pressing it. For more information, see *Quick Setup Guide*.

10 Faxes in memory

Shows how many received faxes are in the memory.

The warning icon  appears when there is an error or maintenance message. For information about error messages, see *Error and Maintenance messages* on page 83.

NOTE

When the Distinctive Ring feature is turned on, the Touchscreen shows **D/R**. For more information, see *Distinctive Ring* on page 47.


Basic Operations

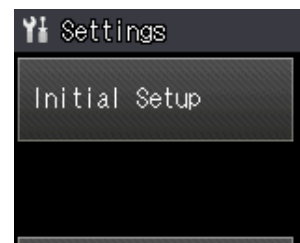
To operate the Touchscreen LCD, press your finger on the Touchscreen to operate it. To display and access all the settings and features tables and the available options, press **▲** or **▼** on the Touchpanel to scroll through them.

IMPORTANT

DO NOT press the Touchscreen with a sharp object, such as a pen or stylus. It may damage the machine.

The following steps show how to change a setting in the machine. In this example the Receive Mode setting is changed from **Fax Only** to **Fax/Tel**.

- 1 Press  (Settings).
- 2 Press **▲** or **▼** on the Touchpanel to display **Initial Setup**.



- 3 Press **Initial Setup**.
- 4 Press **▲** or **▼** to display **Receive Mode**.




- 5 Press **Receive Mode**.
- 6 Press **▲** or **▼** to display **Fax/Tel**.

- 7 Press Fax/Tel.



NOTE

Press  if you want to go back to the previous level.

- 8 Press .

Shortcut Settings

You can add the fax, copy and scan settings you use most frequently by setting them as your Shortcuts. Later you can recall and apply these settings quickly and easily. You can add three Shortcuts.

The following settings can be included in a fax, copy or scan Shortcut:

Copy

- Quality
- Paper Type
- Paper Size
- Tray Select ¹
- Enlarge/Reduce
- Density
- Stack/Sort
- Page Layout
- 2-sided Copy
- Advanced Settings

Fax

- Address
- Fax Resolution
- Contrast
- Color Setting
- Batch TX
- Real Time TX
- Overseas Mode
- Glass Scan Size

Scan (Scan to Media)





- Scan Type
- Resolution
- File Type
- File Name
- Remove Background

Scan (Scan to Network)

Scan (Scan to FTP)

¹ MFC-J4610DW only


Adding Shortcuts

- 1 Press  (Settings).
- 2 Press \wedge or \vee on the Touchpanel to display `Shortcut Settings`. Press `Shortcut Settings`.
- 3 Press ,  or  where you have not added a Shortcut.

NOTE

-Blank- will appear as the name of available Shortcuts.

- 4 Read the information on the Touchscreen, and then press `Next` to display the modes `Copy`, `Fax` and `Scan`.
- 5 Press `Copy`, `Fax` or `Scan` for the mode of your new Shortcut. If you press `Scan`, press \wedge or \vee to display `Scan to Media`, `Scan to Network` or `Scan to FTP`, and then press the type of scan you want to set. Do one of the following.
 - If you press `Scan to Media`, go to step 6.
 - If you press `Scan to Network` or `Scan to FTP`, press \wedge or \vee to display the `Profile Name`, and then press it. Go to step 9.
- 6 Press \wedge or \vee to display the available settings for the mode you chose in step 5, and then press the setting you want to change.
- 7 Press \wedge or \vee to display the available options for the setting, and then press the new option you want to set. Repeat steps 6 and 7 until you have chosen all the settings for this Shortcut.
- 8 When you are finished choosing settings, press `OK`.




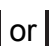
- 9 Enter a name for the Shortcut using the keyboard on the Touchscreen. (To help you enter letters, see *Entering Text* on page 152.) Press `OK`.
- 10 Press \wedge or \vee to review and confirm the displayed list of settings you have chosen. Do one of the following:
 - Press `Yes` to save your Shortcut. Go to step 11.
 - Press `No` to return to step 6.
- 11 Read the information on the Touchscreen, and then confirm it by pressing `OK`.
- 12 Press .

NOTE

-Blank- appears when accessing through Settings.

Changing Shortcuts

You can change the settings in a Shortcut.

- 1 Press  (Settings).
- 2 Press \wedge or \vee on the Touchpanel to display `Shortcut Settings`. Press `Shortcut Settings`.
- 3 Press the Shortcut ,  or  that you want to change.
- 4 Press `Change`.
- 5 Read the information on the Touchscreen, and then press `Yes` to confirm.
- 6 Press \wedge or \vee to display the current settings for this Shortcut, and then press the setting you want to change.

- 7 Press **^** or **v** to display the available options for the setting, and then press the new option you want to set.

Repeat steps 6 and 7 to change other settings as needed.
- 8 When you are finished changing settings, press **OK**.
- 9 To edit the name, hold down **ⓧ** to delete the current name, and then enter a new name using the keyboard on the Touchscreen. (To help you enter letters, see *Entering Text* on page 152.) Press **OK**.
- 10 Press **^** or **v** to review and confirm the displayed list of settings for this Shortcut, and then press **Yes** to save your changes.
- 11 Read the information on the Touchscreen, and then confirm it by pressing **OK**.
- 12 Press **🏠**.

NOTE

-Blank- appears when accessing through Settings.

Deleting Shortcuts

You can delete a Shortcut.

- 1 Press **⚙️** (Settings).
- 2 Press **^** or **v** on the Touchpanel to display **Shortcut Settings**. Press **Shortcut Settings**.
- 3 Press the Shortcut (**★1**, **★2** or **★3**) that you want to delete.
- 4 Press **Delete** to delete the Shortcut that you chose in step 3. Press **Yes** to confirm.
- 5 Press **🏠**.

NOTE

-Blank- appears when accessing through Settings.

Using Shortcuts

The Shortcuts **★1** **★2** **★3** are always displayed on the Touchpanel. To use a Shortcut, simply press it on the Touchpanel.

2

Loading paper

Loading paper and other print media

⚠ CAUTION

DO NOT carry the machine by holding the scanner cover, the Jam Clear Cover, the manual feed slot cover, or the control panel. Doing this may cause the machine to slip out of your hands. Carry the machine by sliding your hands into the handhold indentations located on each side of the machine.

For detailed information, see Product Safety Guide.

NOTE

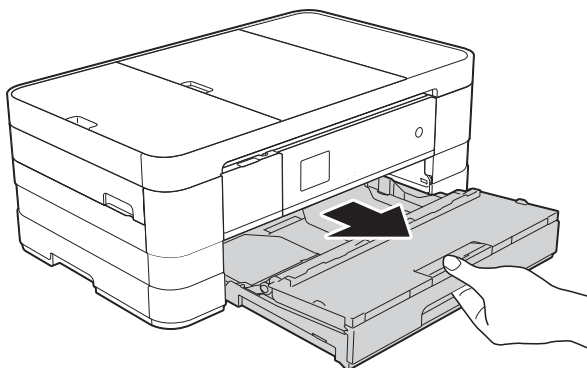
(For MFC-J4610DW)

For tray #2 (lower tray), see *Loading paper in paper tray #2 (MFC-J4610DW)* on page 20.

Loading paper in paper tray #1

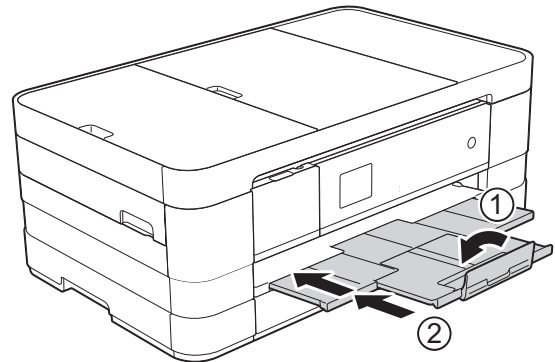
Load only one size of paper and one type of paper in the paper tray at a time.

- 1 Pull the paper tray completely out of the machine.



NOTE

- If the paper support flap (1) is open, close it, and then slide the paper support (2) into the output paper tray cover.



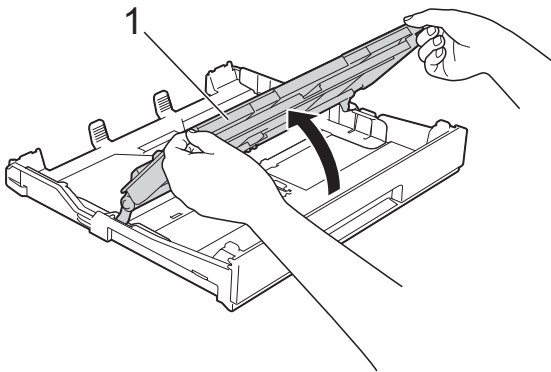
- When you load a different paper size in the tray, you will need to change the paper size setting in the machine at the same time.

(MFC-J4310DW and MFC-J4410DW: See *Paper Size* on page 27.)

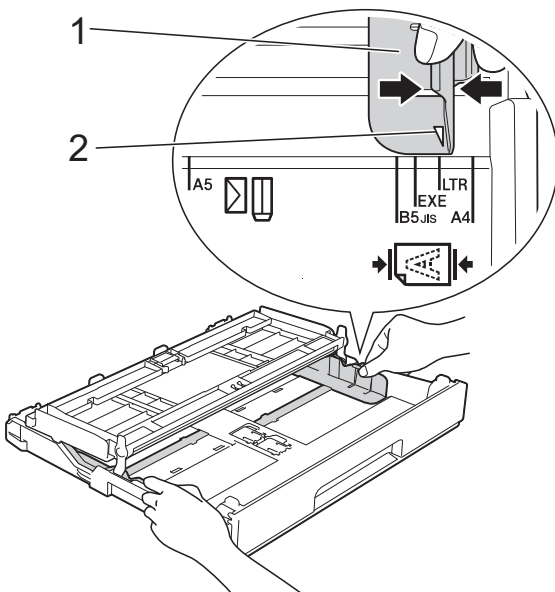
(MFC-J4610DW: See *Paper Size and Type (MFC-J4610DW)* on page 28.)

- You can choose from various types of paper and sizes, depending on the orientation. For more information about paper types, sizes and orientation, see *Paper orientation and capacity of the paper trays* on page 32.

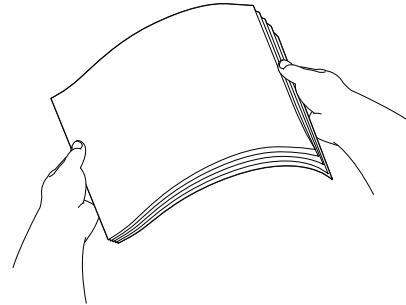
- 2 Open the output paper tray cover (1).



- 3 Gently press and slide the paper guides (1) to fit the paper size. Make sure that the triangular mark (2) on the paper guide (1) lines up with the mark for the paper size you are using.



- 4 Fan the stack of paper well to avoid paper jams and misfeeds.



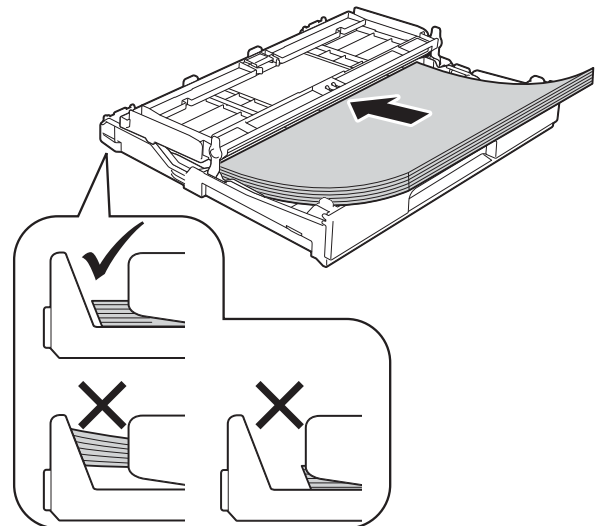
NOTE

Always make sure that the paper is not curled or wrinkled.

- 5 Gently put the paper into the paper tray print side down. Check that the paper is flat in the tray.

- Using Letter, A4 or Executive

Landscape orientation



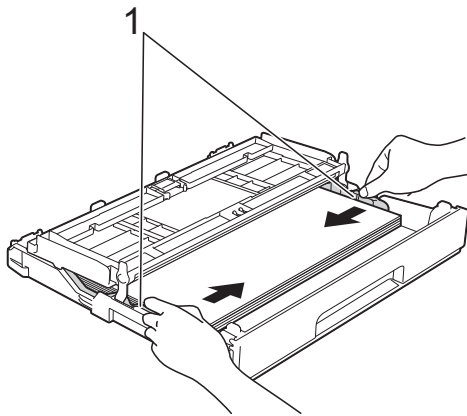
IMPORTANT

Be careful not to push the paper in too far; it may lift at the back of the tray and cause paper feed problems.

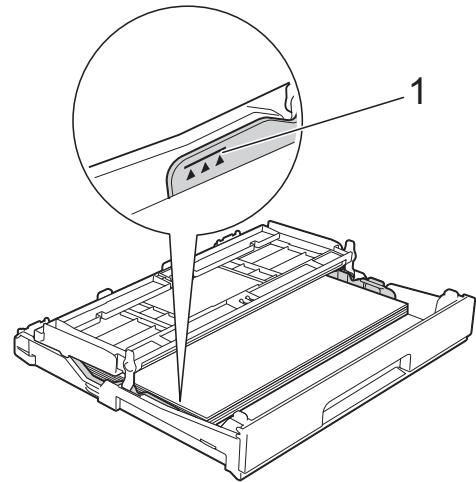
NOTE

- If you are using paper that is 5.8 × 8.3 in. or smaller, you must load the paper in portrait orientation. For more information, see *Loading smaller paper (Photo, Photo L and envelopes)* on page 16.
- If you want to add paper before the tray is empty, remove the paper from the tray and combine it with the paper you are adding. Always fan the stack of paper well before loading it in the tray. If you add paper without fanning the stack, the machine may feed multiple pages.
- For more information about paper orientation, see *Paper orientation and capacity of the paper trays* on page 32.

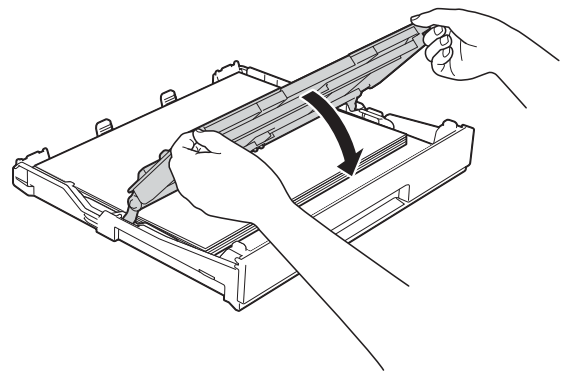
- 6** Gently adjust the paper guides (1) to fit the paper. Make sure the paper guides touch the sides of the paper.



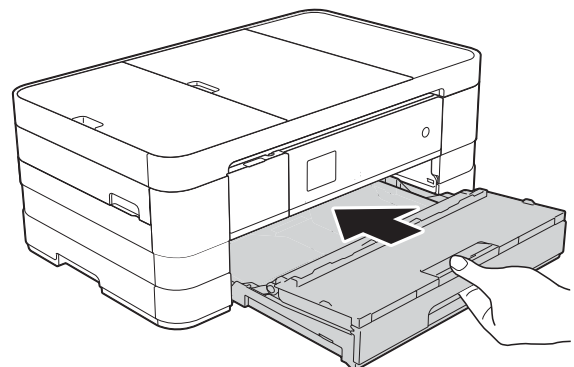
- 7** Check that the paper is flat in the tray and below the maximum paper mark (1). Overfilling the paper tray may cause paper jams.



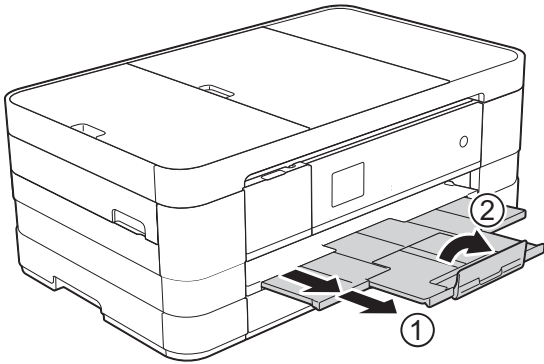
- 8** Close the output paper tray cover.



- 9** Slowly push the paper tray completely into the machine.

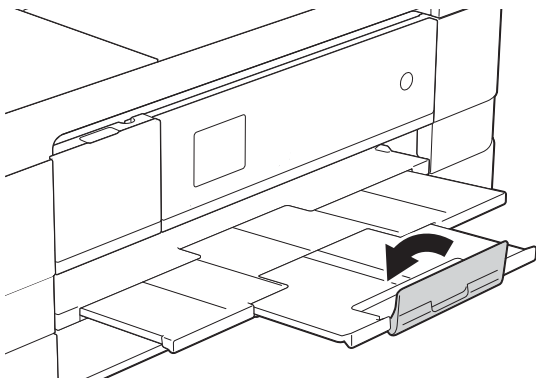


- 10 While holding the paper tray in place, pull out the paper support (1) until it clicks, and then unfold the paper support flap (2).



NOTE

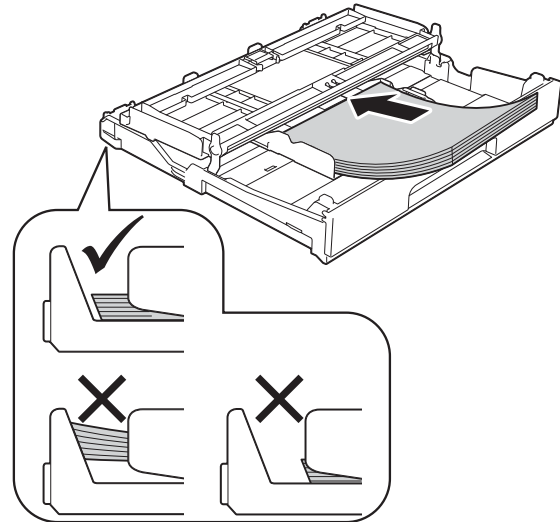
If you are using paper that is longer than Letter size or envelopes with the flap on the short edge, close the paper support flap.



Loading smaller paper (Photo, Photo L and envelopes)

Portrait orientation

(5.8 × 8.3 in. or smaller size paper)



IMPORTANT

Be careful not to push the paper in too far; it may lift at the back of the tray and cause paper feed problems.


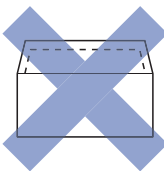
About envelopes

- Use envelopes that weigh from 20 to 25 lb (80 to 95 g/m²).
- Some envelopes need margin settings to be set in the application. Make sure you do a test print first before printing many envelopes.

IMPORTANT

DO NOT use the following types of envelopes, as they will not feed correctly:

- That are of a baggy construction.
- That have windows.
- That are embossed (have raised writing on them).
- That have clasps or staples.
- That are pre-printed on the inside.

Glue	Double flaps
	

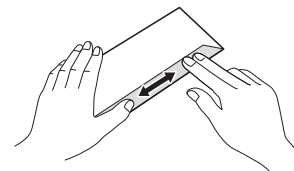
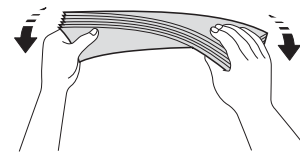
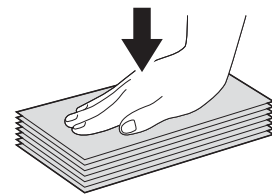
Occasionally you may experience paper feed problems caused by the thickness, size and flap shape of the envelopes you are using.

Loading envelopes

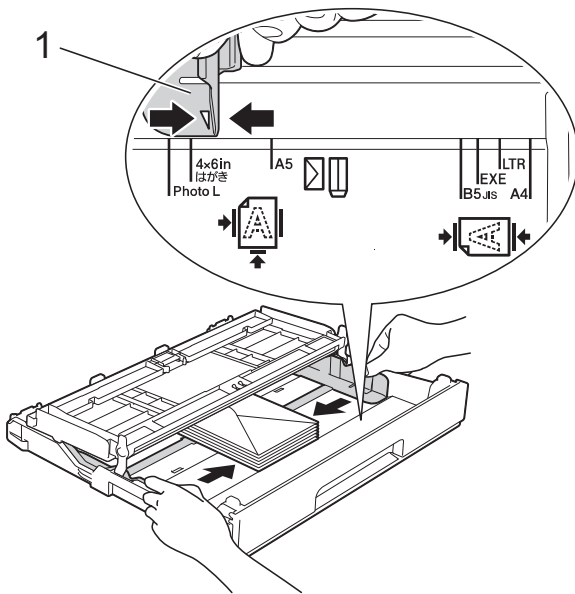
- 1 Before loading, press the corners and sides of the envelopes to make them as flat as possible.

IMPORTANT

If envelopes are “double-feeding,” put one envelope in the paper tray at a time.

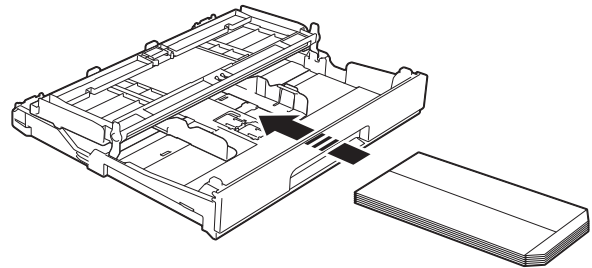


- 2 Put envelopes in the paper tray with the address side down. If the envelope flaps are on the long edge, load the envelopes with the flap on the left, as shown in the illustration. Gently press and slide the paper guides (1) to fit the size of the envelopes.

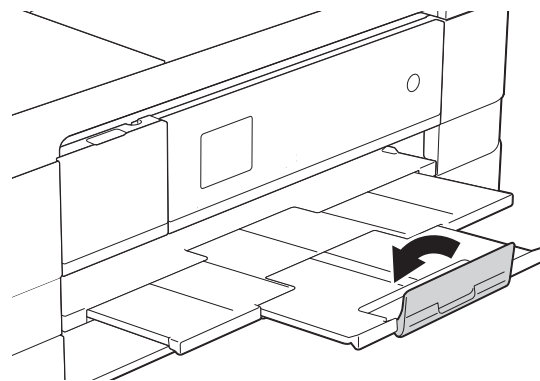


NOTE

- If you are using envelopes with the flap on the short edge, insert envelopes in the paper tray as shown in the illustration.

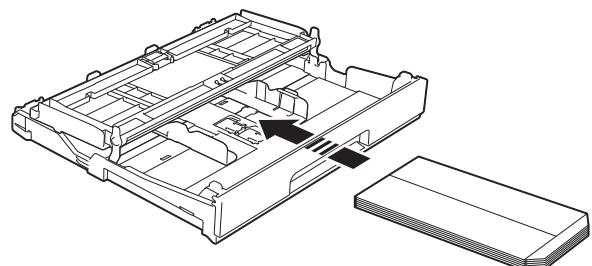


- If you are using envelopes with the flap on the short edge, close the paper support flap.



If you have problems printing on envelopes with the flap on the short edge, try the following:

- 1 Open the envelope flap.
- 2 Put the envelope into the paper tray with the address side down and the flap positioned as shown in the illustration.



- 3 Select **Reverse Print** (Windows®) or **Reverse page orientation** (Macintosh) in the printer driver's dialog box, and then adjust the size and margin in your application.
(See Software User's Guide: *Printing* (Windows®).)
(See Software User's Guide: *Printing and Faxing* (Macintosh).)

Loading Photo and Photo L paper

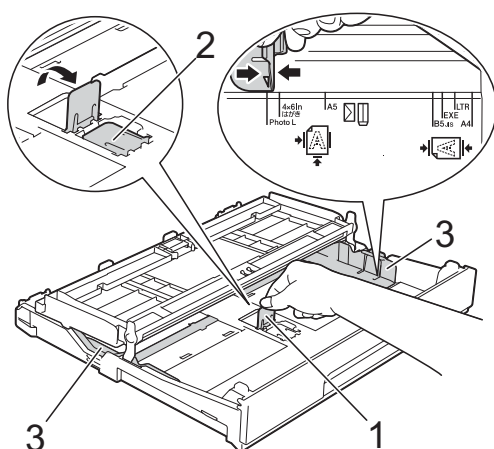
- 1 Before loading, press the corners and sides of the Photo and Photo L paper to make them as flat as possible.

IMPORTANT

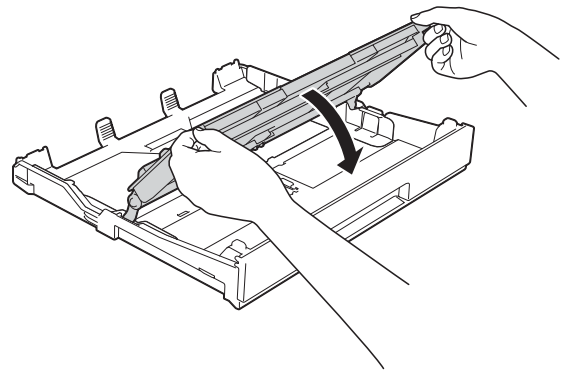
If Photo (4 × 6 in.) or Photo L (3.5 × 5 in.) paper is "double-feeding," put one sheet of Photo or Photo L paper in the paper tray at a time.

- 2 Do one of the following:
 - If you put Photo L (3.5 × 5 in.) in the paper tray, lift up the Photo L stopper (1).
 - If you put Photo (4 × 6 in.) in the paper tray, lift up the Photo stopper (2).

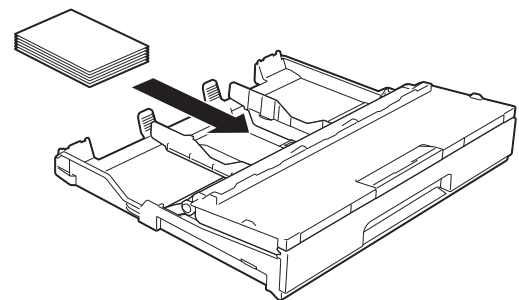
Gently press and slide the paper guides (3) to fit the paper size.



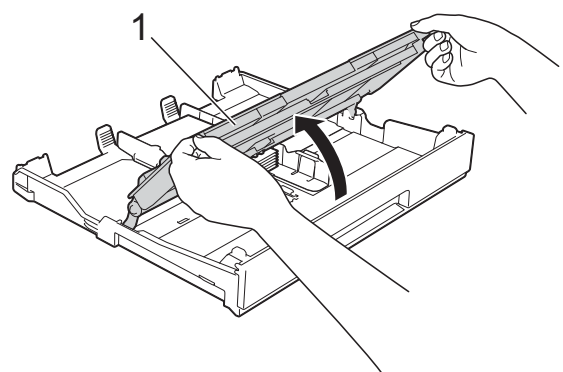
- 3 Close the output paper tray cover.



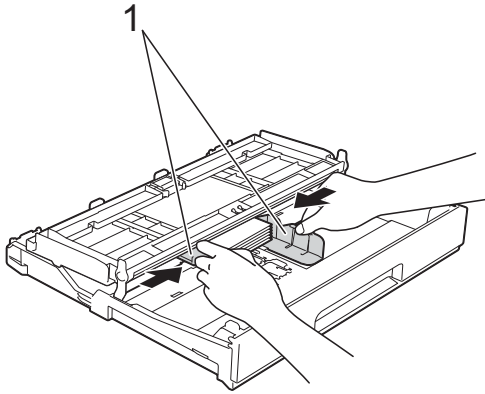
- 4 Put Photo or Photo L paper in the paper tray print side down.



- 5 Open the output paper tray cover (1).



- 6 Gently adjust the paper guides (1) to fit the paper. Make sure the paper guides touch the sides of the paper.



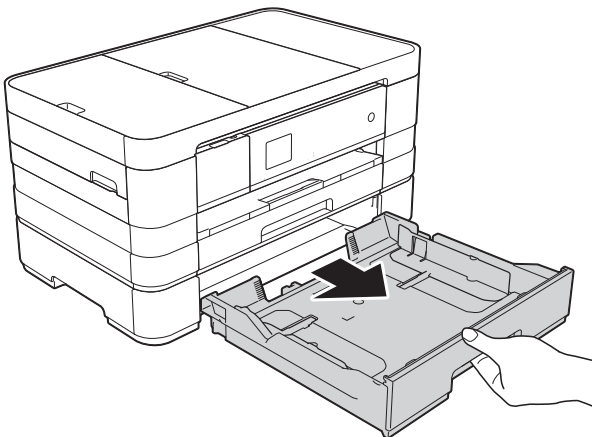
- 7 Close the output paper tray cover.

Loading paper in paper tray #2 (MFC-J4610DW)

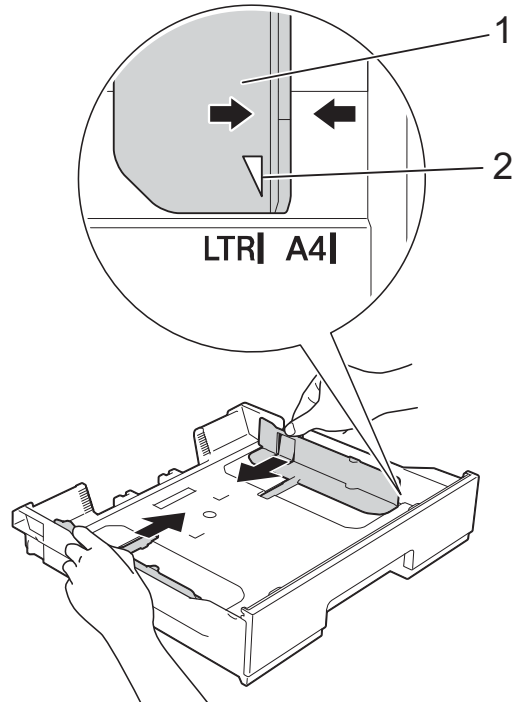
NOTE

- You can only use plain paper sizes Letter or A4 in Tray #2.
- For more information about paper orientation, see *Paper orientation and capacity of the paper trays* on page 32.

- 1 Pull the paper tray completely out of the machine.



- 2 Gently press and slide the paper guides (1) to fit the paper size. Make sure that the triangular mark (2) on the paper guide (1) lines up with the mark for the paper size you are using.



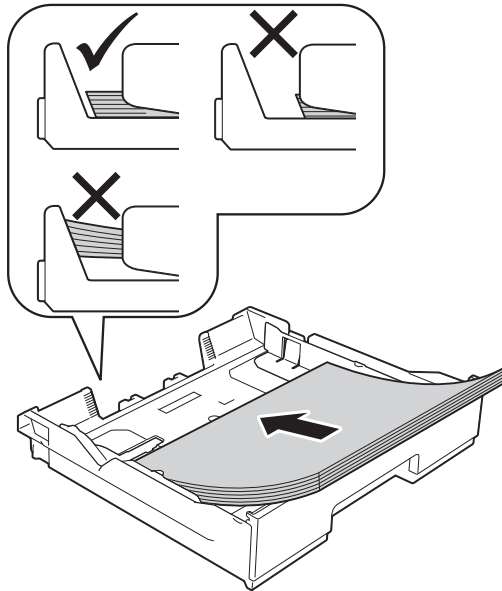
- 3 Fan the stack of paper well to avoid paper jams and misfeeds.

NOTE

Always make sure that the paper is not curled.

- 4 Gently put the paper into the paper tray print side down. Check that the paper is flat in the tray.

Landscape orientation



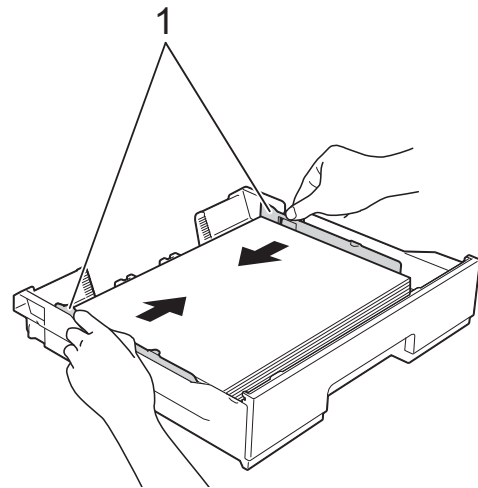
IMPORTANT

Be careful not to push the paper in too far; it may lift at the back of the tray and cause paper feed problems.

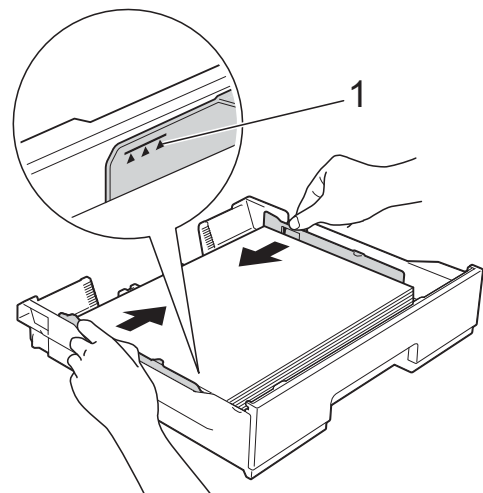
NOTE

If you want to add paper before the tray is empty, remove the paper from the tray and combine it with the paper you are adding. Always fan the stack of paper well before loading it in the tray. If you add paper without fanning the stack, the machine may feed multiple pages.

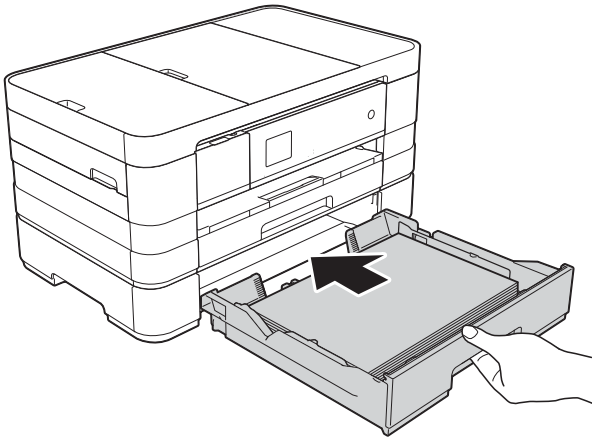
- 5 Gently adjust the paper guides (1) to fit the paper. Make sure the paper guides touch the sides of the paper.



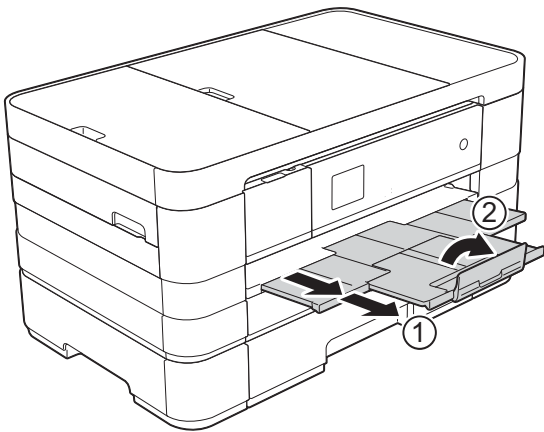
- 6 Check that the paper is flat in the tray and below the maximum paper mark (1). Overfilling the paper tray may cause paper jams.



- 7 *Slowly* push the paper tray completely into the machine.



- 8 Pull out the paper support (1) until it clicks and unfold the paper support flap (2).

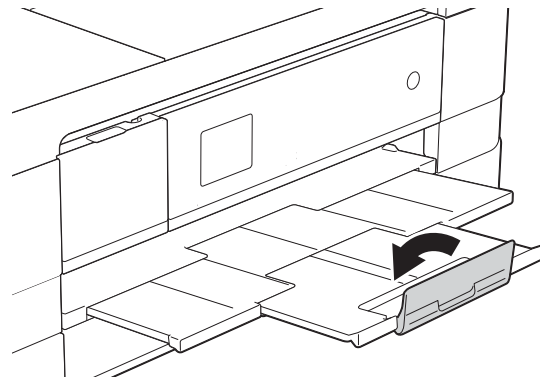


Loading paper in the manual feed slot

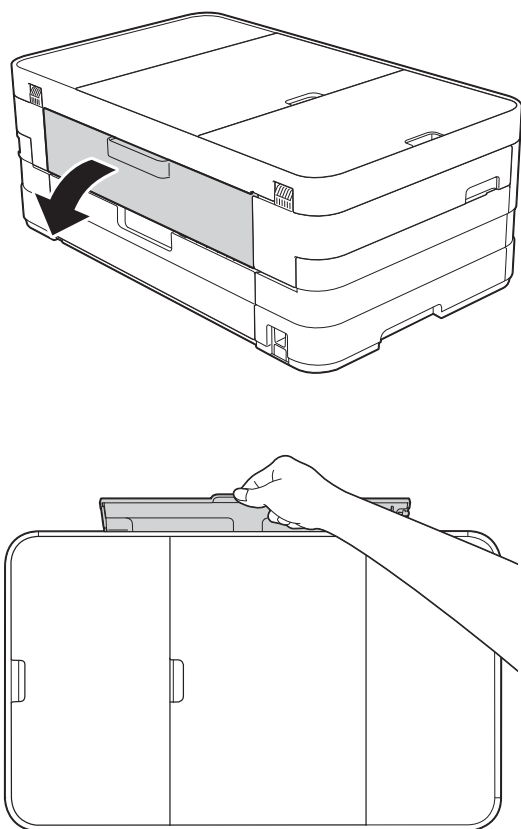
You can load special print media into this slot one sheet at a time. Use the manual feed slot to print or copy on Ledger, A3, Legal, Letter, A4, Executive, A5, A6, envelopes, Photo (4 × 6 in.), Photo L (3.5 × 5 in.), Photo 2L (5 × 7 in.) and Index Card (5 × 8 in.).

NOTE

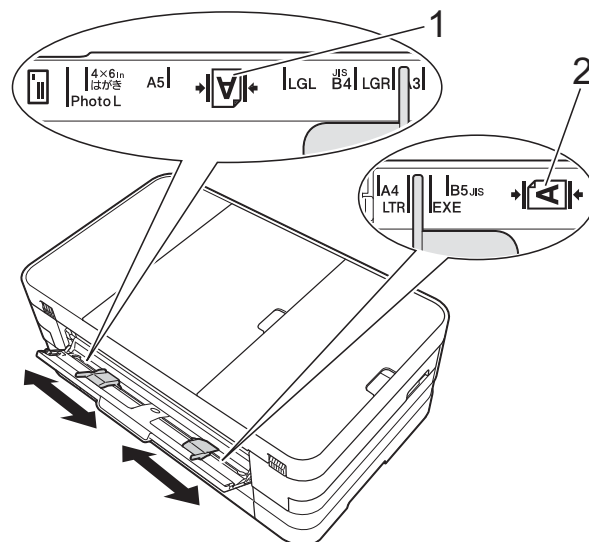
- The machine turns on Manual Feed mode when you put paper in the manual feed slot.
- If you are using paper that is longer than Letter size or envelopes with the flap on the short edge, close the paper support flap.



- 1 Open the manual feed slot cover.



- 2 Slide the manual feed slot paper guides to match the width of the paper you are going to use.



NOTE

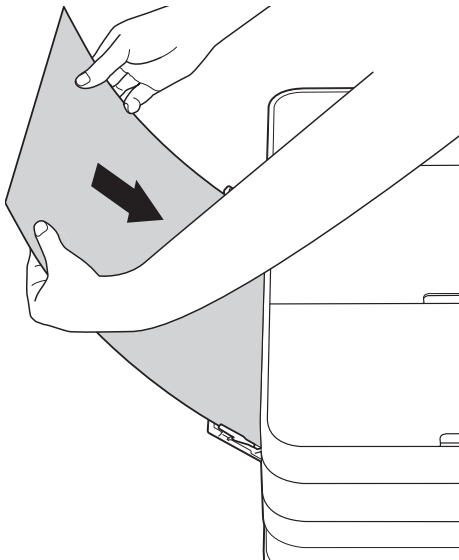
The paper mark (1) in portrait orientation is on the right side of the manual feed slot, and the mark (2) in landscape orientation is on the left side of it.

When you slide the paper guides, confirm that they are in these positions.

- Put *only* one sheet of paper in the manual feed slot with the side to be printed on *face up*.

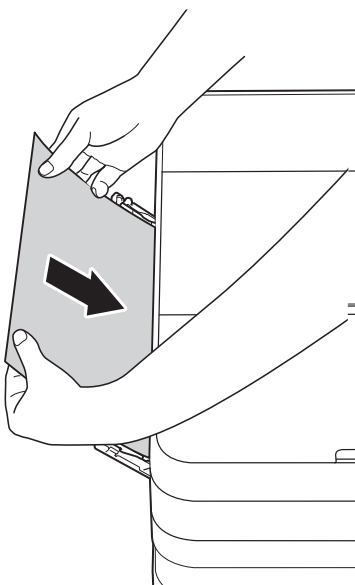
- Using Ledger, A3, Legal, A5, A6, envelopes, Photo, Photo L, Photo 2L or Index Card

Portrait orientation



- Using Letter, Executive or A4

Landscape orientation



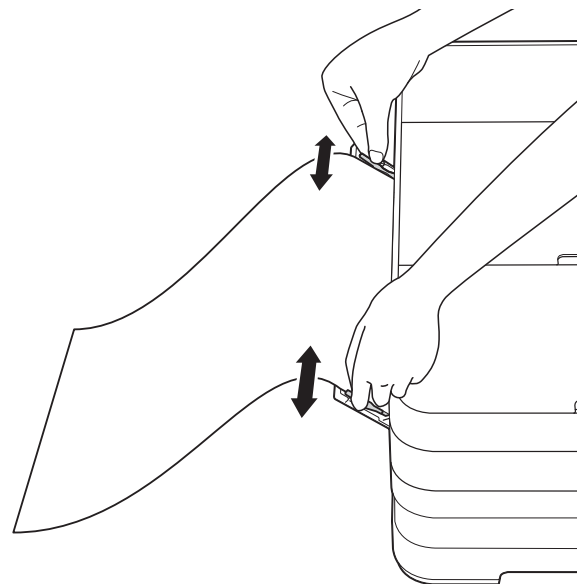
IMPORTANT

- DO NOT put more than one sheet of paper in the manual feed slot at any one time. Doing this may cause a paper jam. Even if you are printing multiple pages, do not feed the next sheet of paper until the Touchscreen shows a message instructing you to feed the next sheet.



- DO NOT put paper in the manual feed slot when you are printing from the paper tray. Doing this may cause a paper jam.
- For more information about paper orientation, see *Paper orientation and capacity of the paper trays* on page 32.

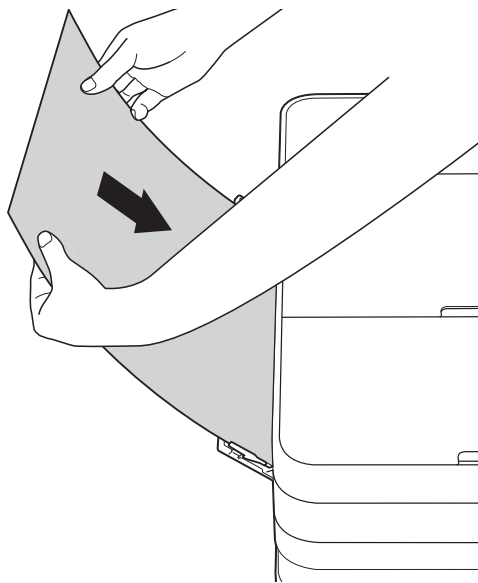
- Using both hands, gently adjust the manual feed slot paper guides to fit the paper.



NOTE

- DO NOT press the paper guides too tightly against the paper. Doing this may cause the paper to fold.
- Place the paper in the center of the manual feed slot between the paper guides. If the paper is not centered, pull it out and insert it again at the center position.

- 5 Using both hands, put one sheet of paper in the manual feed slot until the front edge touches the paper feed roller. Let go of the paper when you hear the machine pull it in a short distance. The Touchscreen will show
Manual Feed Slot ready.

**NOTE**

- When loading an envelope or a sheet of thick paper, push the envelope into the manual feed slot until you feel it grab the envelope.
- When you are feeding Legal, Ledger or A3 size paper in the manual feed slot, the machine holds the printed page after printing so that the page does not fall. Once printing is complete, pull out the printed page and press OK.

- 6 If the data does not fit on one sheet, the Touchscreen will prompt you to load another sheet of paper. Place another sheet of paper in the manual feed slot, and then press OK on the Touchscreen.

NOTE

- Make sure printing has finished before you close the manual feed slot cover.
- When paper is placed in the manual feed slot, the machine will only print from the manual feed slot.
- Paper inserted in the manual feed slot while a test page, fax or report is being printed will be ejected.
- During the machine's cleaning process, paper you place in the manual feed slot will be ejected. Wait until the machine finishes its cleaning, and then put the paper into the manual feed slot again.

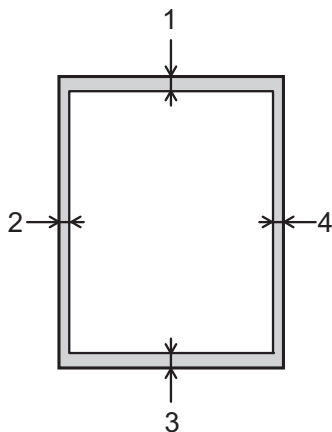
Unprintable area

The printable area depends on the settings in the application you are using. The figures below show the unprintable areas on cut-sheet paper and envelopes. The machine can print in the shaded areas of cut-sheet paper only when the Borderless print feature is available and turned on.

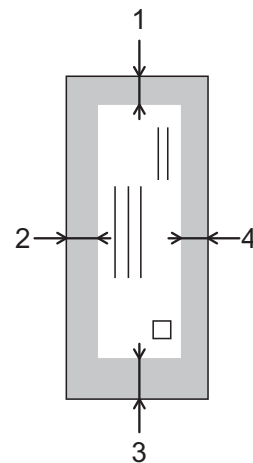
(See Software User's Guide: *Printing (Windows®)*.)

(See Software User's Guide: *Printing and Faxing (Macintosh)*.)

Cut-Sheet Paper



Envelopes



	Top (1)	Left (2)	Bottom (3)	Right (4)
Cut-Sheet	0.12 in. (3 mm)	0.12 in. (3 mm)	0.12 in. (3 mm)	0.12 in. (3 mm)
Envelopes	0.87 in. (22 mm)	0.12 in. (3 mm)	0.87 in. (22 mm)	0.12 in. (3 mm)

NOTE



The Borderless feature is not available for envelopes and 2-sided printing.

Paper settings

Paper Size and Type (MFC-J4310DW and MFC-J4410DW)

Paper Type

To get the best print quality, set the machine for the type of paper you are using.



- 1 Press  (Settings).
- 2 Press **^** or **v** on the Touchpanel to display `General Setup`.
- 3 Press `General Setup`.
- 4 Press **^** or **v** to display `Paper Type`.
- 5 Press `Paper Type`.
- 6 Press **^** or **v** to display `Plain Paper`, `Inkjet Paper`, `Brother BP71`, `Other Glossy` or `Transparency`, and then press the option you want to set.
- 7 Press .

NOTE

The machine ejects paper with printed surfaces face up onto the paper tray at the front of the machine. When you use transparencies or glossy paper, remove each sheet at once to prevent smudging or paper jams.

Paper Size

You can use the following sizes of paper for copies: Letter, Legal, Ledger, A4, A5, A3, Executive and 4" × 6" (10 × 15 cm) and two sizes for printing faxes: Letter or A4. When you change the size of paper you load in the machine, you will need to change the paper size setting at the same time so your machine can fit an incoming fax on the page.

- 1 Press  (Settings).
- 2 Press **^** or **v** on the Touchpanel to display `General Setup`.
- 3 Press `General Setup`.
- 4 Press **^** or **v** to display `Paper Size`.
- 5 Press `Paper Size`.
- 6 Press **^** or **v** to display `Letter`, `A4`, `A5`, `EXE` or `4"x6"`, and then press the option you want to set.
- 7 Press .


NOTE

When you copy using Ledger, Legal or A3 size paper, set the paper size option in Copy mode.

Paper Size and Type (MFC-J4610DW)

To get the best print quality, set the machine for the type of paper you are using.

You can use the following sizes of paper for copies: Letter, Legal, Ledger, A4, A5, A3, Executive and 4" × 6" (10 × 15 cm) and two sizes for printing faxes: Letter or A4. When you load a different size of paper in the machine, you must change the paper size setting at the same time so your machine can fit an incoming fax on the page.

- 1 Press  (Settings).
- 2 Press **▲** or **▼** on the Touchpanel to display `General Setup`.
- 3 Press `General Setup`.
- 4 Press **▲** or **▼** to display `Tray Setting`.
- 5 Press `Tray Setting`.
- 6 Press `Tray #1` or `Tray #2`.
- 7 Do one of the following:
 - If you press `Tray #1`, set the paper size and type you want to set.

Press `Paper Size`.

Press **▲** or **▼** to display the paper size options, `Letter`, `A4`, `A5`, `EXE` or `4"x6"` and press the size you want to set.

Press `Paper Type`.

Press **▲** or **▼** to display the paper type options, `Plain Paper`, `Inkjet Paper`, `Brother BP71`, `Other Glossy` or `Transparency` and press the type you want to set.

- If you press `Tray #2`, set the paper size you want to set.

Press `Paper Size`.

Press **▲** or **▼** to display the paper size options, `Letter` or `A4` and press the size you want to set.

- 8 Press .

NOTE


- You can use only plain paper in `Tray #2`.
- The machine ejects paper with printed surfaces face up onto the paper tray in front of the machine. When you use transparencies or glossy paper, remove each sheet at once to prevent smudging or paper jams.
- When you copy using `Ledger`, `Legal` or `A3` size paper, set the paper size option in `Copy mode`.


Tray use in Copy mode (MFC-J4610DW)

You can change the default tray the machine will use for copies.

`Auto Tray Select` will allow your machine to feed paper from either `Tray #1` or `Tray #2`, using the paper type and size settings from the `Copy Settings` table.

To change the default setting follow the instructions below:

- 1 Press  (Settings).
- 2 Press **▲** or **▼** on the Touchpanel to display `General Setup`.
- 3 Press `General Setup`.
- 4 Press **▲** or **▼** to display `Tray Setting`.
- 5 Press `Tray Setting`.
- 6 Press **▲** or **▼** to display `Tray Use: Copy`.

- 7 Press Tray Use: Copy.
- 8 Press Tray #1, Tray #2 or Auto Tray Select.
- 9 Press .

NOTE









You can change the paper size and tray selection temporarily for the next copy. (See *Paper Size* on page 59 and *Tray Select (MFC-J4610DW)* on page 60.)

Tray use in Fax mode (MFC-J4610DW)

You can change the default tray the machine will use for printing received faxes.

Auto Tray Select will allow your machine to take paper from Tray #1 first, or from Tray #2 if:

- Tray #2 is set to a different paper size that is more appropriate for the received faxes.
- Both trays are using the same size paper and Tray #1 is not set to use plain paper.

- 1 Press  (Settings).
- 2 Press  or  on the Touchpanel to display General Setup.
- 3 Press General Setup.
- 4 Press  or  to display Tray Setting.
- 5 Press Tray Setting.
- 6 Press  or  to display Tray Use: Fax.
- 7 Press Tray Use: Fax.
- 8 Press Tray #1, Tray #2 or Auto Tray Select.
- 9 Press .

Acceptable paper and other print media

The print quality can be affected by the type of paper you use in the machine.

To get the best print quality for the settings you have chosen, always set the Paper Type to match the type of paper that is loaded in the tray.

You can use plain paper, inkjet paper (coated paper), glossy paper, transparencies and envelopes.

We recommend testing various paper types before buying large quantities.

For best results, use Brother paper.

- When you print on inkjet paper (coated paper), transparencies and glossy paper, be sure to choose the correct print media in the **Basic** tab of the printer driver or in the Paper Type setting of the machine's menu.

(MFC-J4310DW and MFC-J4410DW: See *Paper Type* on page 27.)

(MFC-J4610DW: See *Paper Size and Type (MFC-J4610DW)* on page 28.)

- When you print on Brother Photo paper, load one extra sheet of the same photo paper in the paper tray. An extra sheet has been included in the paper package for this purpose.
- When you use transparencies or photo paper, remove each sheet at once to prevent smudging or paper jams.
- Avoid touching the printed surface of the paper immediately after printing; the surface may not be completely dry and may stain your fingers.

Recommended print media

To get the best print quality, we suggest using Brother paper. (See the table below.)

We recommend using “3M Transparency Film” when you print on transparencies.

Brother paper

Paper Type	Item
Premium Plus Glossy Photo	
■ Ledger	BP71GLGR
■ Letter	BP71GLTR
■ 4" × 6"	BP71GP20
Plain Inkjet	
■ Ledger	BP60PLGR (USA only)

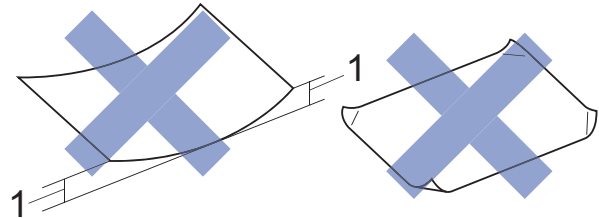
Handling and using print media

- Store paper in its original packaging and keep it sealed. Keep the paper flat and away from moisture, direct sunlight and heat.
- Avoid touching the shiny (coated) side of the photo paper.
- Avoid touching either side of the transparency paper because they absorb water and perspiration easily, and this may cause decreased output quality. Transparencies designed for laser printers/copiers may stain your next document. Use only transparencies recommended for inkjet printing.

IMPORTANT

DO NOT use the following kinds of paper:

- Damaged, curled, wrinkled, or irregularly shaped



1 0.08 in. (2 mm) or greater curl may cause jams to occur.

- Extremely shiny or highly textured
- Paper that cannot be arranged uniformly when stacked
- Paper made with a short grain

Paper capacity of the output paper tray cover

Up to 50 sheets of Letter, Legal or A4 20 lb (80 g/m²) paper.

- Transparencies and photo paper must be picked up from the output paper tray cover one page at a time to avoid smudging.

Choosing the right print media

Paper type and size for each operation

Paper Type	Paper Size		Usage			
			Fax	Copy	Photo Capture	Printer
Cut-Sheet	Ledger	11 × 17 in. (279.4 × 431.8 mm)	–	Yes ¹	Yes ¹	Yes ¹
	Letter	8 1/2 × 11 in. (215.9 × 279.4 mm)	Yes	Yes	Yes	Yes
	A3	11.7 × 16.5 in. (297 × 420 mm)	–	Yes ¹	Yes ¹	Yes ¹
	A4	8.3 × 11.7 in. (210 × 297 mm)	Yes	Yes	Yes	Yes
	Legal	8 1/2 × 14 in. (215.9 × 355.6 mm)	–	Yes ¹	–	Yes ¹
	Executive	7 1/4 × 10 1/2 in. (184 × 267 mm)	–	Yes	–	Yes
	JIS B4	10.1 × 14.3 in. (257 × 364 mm)	–	–	–	User Defined
	JIS B5	7.2 × 10.1 in. (182 × 257 mm)	–	–	–	User Defined
	A5	5.8 × 8.3 in. (148 × 210 mm)	–	Yes	–	Yes
	A6	4.1 × 5.8 in. (105 × 148 mm)	–	–	–	Yes
Cards	Photo	4 × 6 in. (10 × 15 cm)	–	Yes	Yes	Yes
	Photo L	3 1/2 × 5 in. (89 × 127 mm)	–	–	–	Yes
	Photo 2L	5 × 7 in. (13 × 18 cm)	–	–	Yes	Yes
	Index Card	5 × 8 in. (127 × 203 mm)	–	–	–	Yes
	Postcard 1	3.9 × 5.8 in. (100 × 148 mm)	–	–	–	User Defined
	Postcard 2 (Double)	5.8 × 7.9 in. (148 × 200 mm)	–	–	–	User Defined
Envelopes	C5 Envelope	6.4 × 9 in. (162 × 229 mm)	–	–	–	Yes ¹
	DL Envelope	4.3 × 8.7 in. (110 × 220 mm)	–	–	–	Yes
	Com-10	4 1/8 × 9 1/2 in. (105 × 241 mm)	–	–	–	Yes
	Monarch	3 7/8 × 7 1/2 in. (98 × 191 mm)	–	–	–	Yes
Transparencies	Letter	8 1/2 × 11 in. (215.9 × 279.4 mm)	–	Yes	–	Yes
	A4	8.3 × 11.7 in. (210 × 297 mm)	–	Yes	–	Yes
	Legal	8 1/2 × 14 in. (215.9 × 355.6 mm)	–	Yes	–	Yes
	A5	5.8 × 8.3 in. (148 × 210 mm)	–	Yes	–	Yes

¹ Manual Feed Slot only

Paper orientation and capacity of the paper trays

	Paper size	Paper types	No. of sheets
Paper Tray #1	<Landscape> Letter, Executive, A4 <Portrait> A5, A6, Photo, Photo L, Photo 2L, Index card, Envelopes (Com-10, DL, Monarch)	Plain Paper	150 ¹
		Inkjet Paper	20
		Glossy Paper, Photo	20
		Index Card, Postcard	30
		Envelopes, Transparencies	10
Paper Tray #2 (MFC-J4610DW)	<Landscape> Letter, A4	Plain Paper	250 ¹
Manual Feed Slot	<Landscape> Letter, Executive, A4 <Portrait> Ledger, A3, Legal, A5, A6, Photo, Photo L, Photo 2L, Index card, Envelopes (C5, Com-10, DL, Monarch)	Plain Paper, Inkjet Paper, Glossy Paper, Photo, Envelopes and Transparencies	1

¹ When using plain paper 20 lb (80 g/m²).

NOTE

When you choose User Defined in the Paper Size drop-down list of the printer driver, the paper orientation will differ depending on the size and thickness of the paper.

(For more information, see *Paper orientation using User Defined as the Paper Size in the printer driver* on page 33.)

Paper orientation using User Defined as the Paper Size in the printer driver

User Defined Size	Paper Orientation
When both of the following conditions are satisfied: <ul style="list-style-type: none"> ■ Width: 5 in. – 8.5 in. (127.0 mm – 215.9 mm) ■ Height: 8.51 in. – 11.7 in. (216.0 mm – 297.0 mm) 	Landscape
When any of the following conditions is satisfied: <ul style="list-style-type: none"> ■ Width: less than 5 in. (127.0 mm) ■ Width: greater than 8.5 in. (215.9 mm) ■ Height: less than 8.51 in. (216.0 mm) ■ Height: greater than 11.7 in. (297.0 mm) 	Portrait

NOTE

When choosing Envelope in the Paper Thickness drop-down list, you must load the envelopes in Portrait orientation.

Paper weight and thickness

Paper Type	Weight	Thickness
Cut-Sheet	Plain Paper	17 to 32 lb (64 to 120 g/m ²)
	(Tray #2) Plain Paper	17 to 28 lb (64 to 105 g/m ²)
	Inkjet Paper	17 to 53 lb (64 to 200 g/m ²)
	Glossy Paper ¹	Up to 58 lb (Up to 220 g/m ²)
Cards	Photo 4" × 6" ¹	Up to 58 lb (Up to 220 g/m ²)
	Index Card	Up to 32 lb (Up to 120 g/m ²)
	Postcard 1 Postcard 2	Up to 53 lb (Up to 200 g/m ²)
Envelopes	20 to 25 lb (80 to 95 g/m ²)	Up to 20 mil (Up to 0.52 mm)
Transparencies	–	–

¹ BP71 69 lb (260 g/m²) paper is especially designed for Brother inkjet machines.

3

Loading documents

How to load documents

You can send a fax, make copies, and scan from the ADF ¹ (automatic document feeder) and from the scanner glass.

¹ MFC-J4410DW and MFC-J4610DW only

Using the ADF (MFC-J4410DW and MFC-J4610DW)

The ADF can hold up to 20 pages and feeds each sheet individually. Use paper that is within the sizes and weights shown in the table below. Always fan the pages before placing them in the ADF.

Document Sizes and Weights

Length:	5.8 to 14 in. (148 to 355.6 mm)
Width:	5.8 to 8.5 in. (148 to 215.9 mm)
Weight:	17 to 24 lb (64 to 90 g/m ²)

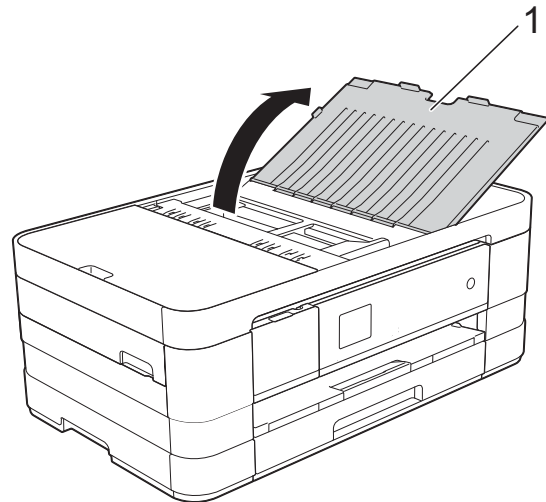
How to load documents

IMPORTANT

- DO NOT pull on the document while it is feeding.
- DO NOT use paper that is curled, wrinkled, folded, ripped, stapled, paper clipped, pasted or taped.
- DO NOT use cardboard, newspaper or fabric.

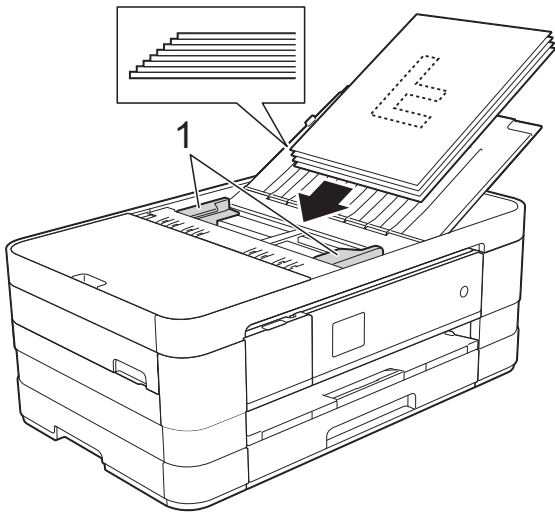
Make sure documents with ink or correction fluid are completely dry.

- 1 Lift up and unfold the ADF document support (1).



- 2 Fan the pages well.

- 3 Adjust the paper guides (1) to fit the width of your document.



- 4 Place your document **face down, top edge first** in the ADF underneath the guides until you feel it touch the feed rollers and the Touchscreen shows ADF Ready.

IMPORTANT

DO NOT leave a thick document on the scanner glass. If you do this, the ADF may jam.

Using the scanner glass

You can use the scanner glass to fax, copy or scan pages of a book or one page at a time.

Document Sizes Supported

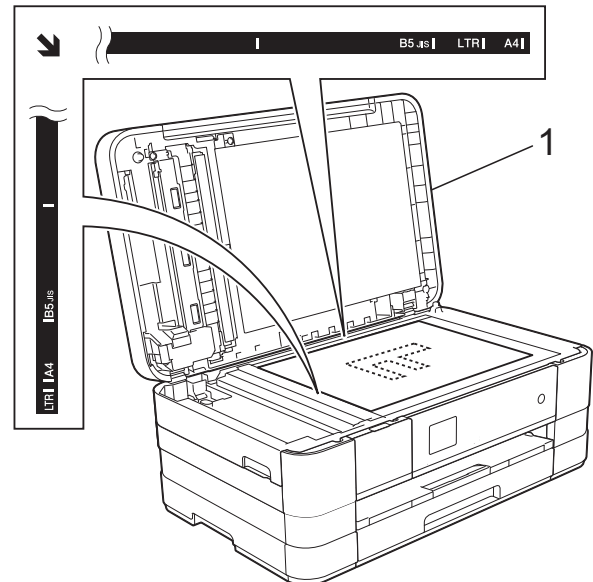
Length:	Up to 11.7 in. (297 mm)
Width:	Up to 8.5 in. (215.9 mm)
Weight:	Up to 4.4 lb (2 kg)

How to load documents

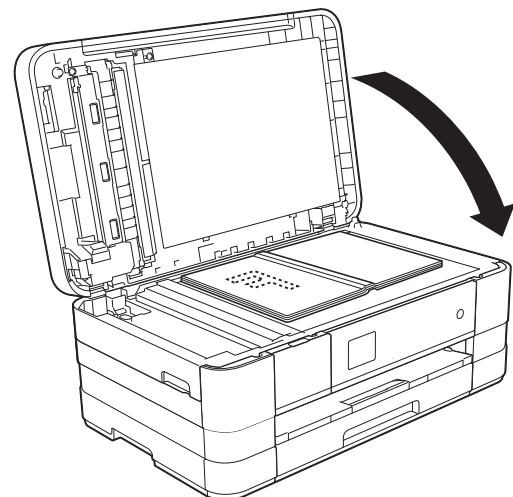
NOTE

(MFC-J4410DW and MFC-J4610DW)
To use the scanner glass, the ADF must be empty.

- 1 Lift the document cover.
- 2 Using the document guidelines on the left and top, place the document **face down** in the upper left corner of the scanner glass.



1 document cover



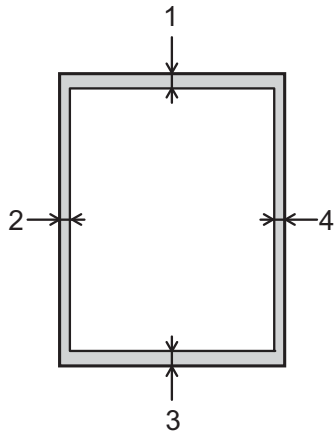
- 3 Close the document cover.

IMPORTANT

If you are scanning a book or thick document, DO NOT slam the cover down or press on it.

Unscannable area

The scannable area depends on the settings in the application you are using. The figures below show unscannable areas.



Usage	Document Size	Top (1) Bottom (3)	Left (2) Right (4)
Fax	Letter	0.12 in. (3 mm)	0.16 in. (4 mm)
	Legal		0.12 in. ¹ (3 mm)
	A4		
Copy	All paper sizes	0.04 in. (1 mm)	0.12 in. (3 mm)
Scan			0.04 in. (1 mm)

¹ (MFC-J4410DW and MFC-J4610DW)
The unscannable area is 0.04 in. (1 mm) when you use the ADF.

How to send a fax

The following steps show how to send a fax.

- 1 Do one of the following to load your document:
 - (MFC-J4410DW and MFC-J4610DW) Place the document *face down* in the ADF. (See *Using the ADF (MFC-J4410DW and MFC-J4610DW)* on page 34.)
 - Load your document *face down* on the scanner glass. (See *Using the scanner glass* on page 35.)

NOTE

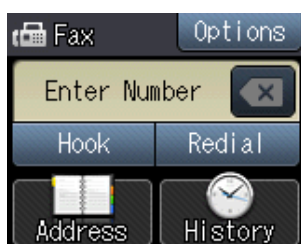
- To send color faxes with multiple pages, use the ADF ¹.
- If you send a black & white fax from the ADF ¹ while the memory is full, it will be sent in real time.
- You can use the scanner glass to fax pages of a book one at a time. The document can be up to Letter or A4 size.
- Since you can only scan one page at a time using the scanner glass, it is easier to use the ADF ¹ if you are sending a multiple-page document.

¹ MFC-J4410DW and MFC-J4610DW only.

- 2 When you want to send a fax or change the settings for sending or receiving

faxes, press  (Fax).

- The Touchscreen shows:



- 3 You can change the following fax-sending settings. Press **Options**. Press **▲** or **▼** to scroll through the fax settings. When the setting you want is displayed, press it and choose your new option. When you are finished changing the options, press **OK**.

(Basic User's Guide)

For information about changing the following fax-sending settings, see pages 38 to 40.

- Glass ScanSize
- Color Fax Transmission
- Transmission Verification Report (Setup)

(Advanced User's Guide)

For more advanced fax-sending operations and settings (See *Advanced User's Guide: Sending a fax.*)

- Contrast
- Fax Resolution
- Set New Defaults
- Factory Reset
- Faxing at the end of a call
- Broadcasting
- Real Time Transmission
- Overseas Mode
- Delayed Fax
- Batch Transmission
- Canceling Waiting Jobs
- Polled Transmit

- 4 Enter the fax number.

Using the dial pad

Using  (Address)

- Address Book

Using  (History)

- Outgoing
- Incoming

- 5 Press **Fax Start**.

Faxing from the ADF (MFC-J4410DW and MFC-J4610DW)

- The machine starts scanning and sending the document.

Faxing from the scanner glass

- If you choose **Black** in the **Color Setting** (default setting), the machine starts scanning the first page. Go to step 6.
- If you choose **Color** in the **Color Setting**, the Touchscreen asks if you want to send a color fax. Press **Color Fax** to confirm. The machine starts dialing and sending the document.

- 6 When the Touchscreen asks you **Next Page?**, do one of the following:

- To send a single page, press **No (Send)**.
The machine starts sending the document.
- To send more than one page, press **Yes** and go to step 7.


- 7 Place the next page on the scanner glass.
Press **OK**.
The machine starts scanning the page. (Repeat steps 6 and 7 for each additional page.)

Stop faxing

To stop faxing, press .

Setting scanner glass size for faxing

When documents are A4 size, you need to set the **Scan Size** to **A4**. If you do not, the bottom portion of the faxes will be missing.

- 1 Load your document.
- 2 Press  (**Fax**).
- 3 Press **Options**.
- 4 Press **^** or **v** on the Touchpanel to display **Glass Scan Size**.
- 5 Press **Glass Scan Size**.
- 6 Press **A4 (or Letter)**.
- 7 Press **OK**.
- 8 Enter the fax number.
- 9 Press **Fax Start**.


NOTE

- You can save the setting you use most often by setting it as the default setting. (See *Advanced User's Guide: Setting your changes as the new default.*)
- This setting is only available for sending documents from the scanner glass.


Color fax transmission

Your machine can send a color fax to machines that support this feature.

Color faxes cannot be stored in the machine's memory. When you send a color fax, the machine will send it in real time (even if `Real Time TX` is set to `Off`).

- 1 Load your document.
- 2 Press  (Fax).
- 3 Press `Options`.
- 4 Press `^` or `v` on the Touchpanel to display `Color Setting`.
- 5 Press `Color Setting`.
- 6 Press `Color`.
- 7 Press `OK`.
- 8 Enter the fax number.
- 9 Press `Fax Start`.
- 10 Read the information on the Touchscreen, and then press `Color Fax`.

Canceling a fax in progress


If you want to cancel a fax while the machine is scanning, dialing or sending, press .


Transmission Verification Report

You can use the Transmission Verification Report as proof that you sent a fax. This report lists the sender's name or fax number, the time and date of the transmission, duration of the transmission, number of pages sent, and whether or not the transmission was successful.

There are several settings available for the Transmission Verification Report:

- **On:** Prints a report after every fax you send.
- **On+Image:** Prints a report after every fax you send. A portion of the fax's first page appears on the report.
- **Off:** Prints a report if your fax is unsuccessful due to a transmission error. The report will also print if you send a color fax that the receiving machine prints in black & white. `Off` is the default setting.
- **Off+Image:** Prints a report if your fax is unsuccessful due to a transmission error. The report will also print if you send a color fax that the receiving machine prints in black & white. A portion of the fax's first page appears on the report.

- 1 Press  (Settings).
- 2 Press `^` or `v` on the Touchpanel to display `Fax`.
- 3 Press `Fax`.
- 4 Press `^` or `v` to display `Report Setting`.
- 5 Press `Report Setting`.
- 6 Press `^` or `v` to display `Transmission`.
- 7 Press `Transmission`.

- 8 Press **^** or **v** to display On, On+Image, Off or Off+Image, and then press the option you want to set.
- 9 Press .

NOTE

- If you choose On+Image or Off+Image the image will only appear on the Transmission Verification Report if Real Time Transmission is set to Off. The image will not appear on the report when you send a color fax.
(See Advanced User's Guide: *Real Time Transmission*.)
 - If your transmission is successful, "OK" will appear next to "RESULT" on the Transmission Verification Report. If the transmission is not successful, "NG" will appear next to "RESULT."
-

Receive Modes

Choose the correct Receive Mode

The correct Receive Mode is determined by the external devices and telephone subscriber services (Voice Mail, Distinctive Ring, etc.) you will be using on the same line as the Brother machine.

Will you be using a Distinctive Ring number for receiving faxes?

Brother uses the term “Distinctive Ring” but different telephone companies may have other names for this service, such as Custom Ringing, RingMaster, Personalized Ring, Teen Ring, Ident-A-Ring, Ident-A-Call, Data Ident-A-Call, Smart Ring and SimpleBiz Fax & Alternate Number Ringing. (See *Distinctive Ring* on page 47 for instructions on setting up your machine using this feature.)

Will you be using Voice Mail on the same telephone line as your Brother machine?

If you have Voice Mail on the same telephone line as your Brother machine, there is a strong possibility that Voice Mail and the Brother machine will conflict with each other when receiving incoming calls. (See *Voice Mail* on page 46 for instructions on setting up your machine using this service.)

Will you be using a Telephone Answering Device on the same telephone line as your Brother machine?

Your external telephone answering device (TAD) will automatically answer every call. Voice messages are stored on the external TAD and fax messages are printed. Choose `External TAD` as your Receive Mode. (See *Connecting an external TAD (telephone answering device)* on page 50.)

Will you be using your Brother machine on a dedicated fax line?

Your machine automatically answers every call as a fax. Choose `Fax Only` as your Receive Mode. (See *Fax Only* on page 43.)

Will you be using your Brother machine on the same line as your telephone?**Do you want to receive voice calls and faxes automatically?**


`Fax/Tel` mode is used when sharing the Brother machine and your telephone on the same line. Choose `Fax/Tel` as your Receive Mode. (See *Fax/Tel* on page 43.)

Important Note: You cannot receive voice messages on either Voice Mail or an answering machine with `Fax/Tel` mode.

Do you expect to receive very few faxes?


Choose `Manual` as your Receive Mode. You control the telephone line and must answer every call yourself. (See *Manual* on page 43.)

To set the Receive Mode, follow the instructions below:

- 1 Press  (Settings).
- 2 Press **^** or **v** on the Touchpanel to display `Initial Setup`.
- 3 Press `Initial Setup`.
- 4 Press **^** or **v** to display `Receive Mode`.
- 5 Press `Receive Mode`.

NOTE

If you cannot change the Receive Mode, make sure the Distinctive Ring feature is set to `Off`.
(See *Turning off Distinctive Ring* on page 49.)

- 6 Press **^** or **v** to display `Fax Only`, `Fax/Tel`, `External TAD` or `Manual`, and then press the option you want to set.
- 7 Press .
The Touchscreen will display the current Receive Mode.

Using Receive Modes

Some Receive Modes answer automatically (**Fax Only** and **Fax/Tel**). You may want to change the Ring Delay before using these modes. (See *Ring Delay* on page 44.)

Fax Only

Fax Only mode will automatically answer every call as a fax call.

Fax/Tel

Fax/Tel mode helps you manage incoming calls by recognizing whether they are fax or voice calls and handling them in one of the following ways:

- Faxes will be automatically received.
- Voice calls will start the F/T Ring to tell you to pick up the line. The F/T Ring is a fast pseudo/double-ring made by your machine.

(For more information, see *F/T Ring Time (Fax/Tel mode only)* on page 44 and *Ring Delay* on page 44.)

Manual

Manual mode turns off all automatic answering functions unless you are using the Distinctive Ring feature.

To receive a fax in Manual mode, lift the handset of the external telephone or press **Hook**. When you hear fax tones (short repeating beeps), press **Fax Start** and choose **Receive**. You can also use the Easy Receive feature to receive faxes by lifting a handset on the same line as the machine.

(For more information, see *Easy Receive* on page 45.)

External TAD

External TAD mode lets an external answering device manage your incoming calls. Incoming calls will be handled in one of the following ways:

- Faxes will be automatically received.
- Voice callers can record a message on the external TAD.











(For more information, see *Connecting an external TAD (telephone answering device)* on page 50.)

Receive Mode settings

Ring Delay

The Ring Delay sets the number of times the machine rings before it answers in **Fax Only** or **Fax/Tel** mode. If you have external or extension telephones on the same line as the machine, keep the ring delay setting of 4 rings.

(See *Using external and extension telephones* on page 53 and *Easy Receive* on page 45.)











- 1 Press  (Settings).
- 2 Press  or  on the Touchpanel to display **Fax**.
- 3 Press **Fax**.
- 4 Press  or  to display **Setup Receive**.
- 5 Press **Setup Receive**.
- 6 Press  or  to display **Ring Delay**.
- 7 Press **Ring Delay**.
- 8 Press  or  to display the options, and then press the number of times the machine will ring before it answers (0, 1, 2, 3 or 4).
If you choose 0, the machine will answer immediately and the line will not ring at all.
- 9 Press .

F/T Ring Time (Fax/Tel mode only)

When somebody calls your machine, you and your caller will hear the normal telephone ring. The number of rings is set by the ring delay setting.

If the call is a fax, then your machine will receive it; however, if it is a voice call, the machine will sound the F/T Ring (a fast pseudo/double-ring) for the time you have set in the F/T Ring Time setting. If you hear the F/T Ring, it means that you have a voice caller on the line.

Because the F/T Ring is made by the machine, extension and external telephones will *not* ring; however, you can still answer the call on any telephone by using a remote code. (For more information, see *Using remote codes* on page 53.)

- 1 Press  (Settings).
- 2 Press  or  on the Touchpanel to display **Fax**.
- 3 Press **Fax**.
- 4 Press  or  to display **Setup Receive**.
- 5 Press **Setup Receive**.
- 6 Press  or  to display **F/T Ring Time**.
- 7 Press **F/T Ring Time**.
- 8 Press  or  to display the options, and then press how long the machine will ring to alert you that you have a voice call (20, 30, 40 or 70 seconds).
- 9 Press .

NOTE

Even if the caller hangs up during the pseudo/double-ringing, the machine will continue to ring for the set time.

Easy Receive**If Easy Receive is On:**

The machine can receive a fax automatically, even if you answer the call. When you see *Receiving* on the Touchscreen or hear a click on the phone line through the handset you are using, just replace the handset. Your machine will do the rest.

If Easy Receive is Off:

If you are at the machine and answered a call first by lifting the external handset, press *Fax Start*, and then press *Receive* to receive.

If you answered at an extension telephone, press * **5 1**. (See *Using external and extension telephones* on page 53.)

NOTE

- If this feature is set to *On*, but your machine does not connect a fax call when you lift an extension or external telephone, press the fax receive code * **5 1**.
- If you send faxes from a computer on the same telephone line and the machine intercepts them, set *Easy Receive* to *Off*.

1 Press  (Settings).

2 Press \blacktriangle or \blacktriangledown on the Touchpanel to display *Fax*.

3 Press *Fax*.

4 Press \blacktriangle or \blacktriangledown to display *Setup Receive*.

5 Press *Setup Receive*.

6 Press \blacktriangle or \blacktriangledown to display *Easy Receive*.

7 Press *Easy Receive*.

8 Press *On* (or *Off*).

9 Press .

Telephone services

Your machine supports the Caller ID and Distinctive Ring subscriber telephone services that some telephone companies offer.

Features like Voice Mail, Call Waiting, Call Waiting/Caller ID, RingMaster, answering services, alarm systems or other custom features on one telephone line may create problems with the operation of your machine. If you have Voice Mail on your telephone line, read the following carefully.

Voice Mail

If you have Voice Mail on the same telephone line as your Brother machine, Voice Mail and the Brother machine will conflict with each other when receiving incoming calls.

For example, if your Voice Mail is set to answer after 4 rings and your Brother machine is set to answer after 2 rings, then your Brother machine will answer first. This will prevent callers from being able to leave a message in your Voice Mail.

Similarly, if your Brother machine is set to answer after 4 rings and your Voice Mail is set to answer after 2 rings, then your Voice Mail will answer first. This will prevent your Brother machine from being able to receive an incoming fax, since Voice Mail cannot transfer the incoming fax back to the Brother machine.

To avoid conflicts between your Brother machine and your Voice Mail service, do one of the following:

Get the Distinctive Ring service from your telephone company. Distinctive Ring is a feature of your Brother machine that allows a person with one line to receive fax and voice calls through two different phone numbers on that one line.

Brother uses the term “Distinctive Ring,” but telephone companies market the service under a variety of names, such as Custom Ringing, Personalized Ring, Smart Ring, RingMaster, Ident-A-Ring, Ident-A-Call, Data Ident-A-Call, Teen Ring, and SimpleBiz Fax & Alternate Number Ringing. This service establishes a second telephone number on the same line as your existing telephone number, and each number has its own ring pattern. Typically, the original number rings with the standard ring pattern and is used for receiving voice calls, and the second number rings with a different ring pattern and is used for receiving faxes. (See *Distinctive Ring* on page 47.)

OR

Set your Brother machine’s Receive Mode to **Manual**. Manual Mode requires that you answer every incoming call if you want to be able to receive a fax. If the incoming call is a telephone call, then complete the call as you normally would. If you hear fax-sending tones, you must transfer the call to the Brother machine. (See *Using external and extension telephones* on page 53.)

Unanswered fax and voice calls will go to your Voice Mail. (To set the machine in **Manual** Mode, see *Choose the correct Receive Mode* on page 41.)

Distinctive Ring

Distinctive Ring is a function of your Brother machine that allows a person with one line to receive fax and voice calls through two different phone numbers on that one line. Brother uses the term “Distinctive Ring,” but telephone companies market the service under a variety of names, such as Smart Ring, Ring Master or Ident-a-Ring. This service establishes a second telephone number on the same line as your existing telephone number, and each number has its own ring pattern. Typically, the original number rings with the standard ring pattern and is used for receiving voice calls, and the second number rings with a different ring pattern and is used for receiving faxes.

NOTE

- You must pay for your telephone company's Distinctive Ring service before you program the machine to work with it.
- Call your telephone company for availability and rates.

What does your telephone company's “Distinctive Ring” do?

Your telephone company's Distinctive Ring service allows you to have more than one number on the same telephone line. **If you need more than one telephone number, it is cheaper than paying for an extra line.** Each telephone number has its own distinctive ring pattern, so you will know which telephone number is ringing. This is one way you can have a separate telephone number for your machine.

What does Brother's “Distinctive Ring” do?

The Brother machine has a Distinctive Ring feature that allows you to use your machine to take full advantage of the telephone company's Distinctive Ring service. The new telephone number on your line can just receive faxes.

Do you have Voice Mail?

If you have Voice Mail on the telephone line that you will install your new machine on, *there is a strong possibility that Voice Mail and the machine will conflict with each other while receiving incoming calls.* **However, the Distinctive Ring feature allows you to use more than one number on your line, so both Voice Mail and the machine can work together without any problems.** If each one has a separate telephone number, neither will interfere with the other's operations.





If you decide to get Distinctive Ring service from the telephone company, you will need to follow the directions in *Registering the Distinctive Ring pattern* to register the new Distinctive Ring pattern they give you. This is so your machine can recognize its incoming calls.

NOTE

You can change or cancel the Distinctive Ring pattern at any time. You can switch it off temporarily, and turn it back on later. When you get a new fax number, make sure you reset this feature.

Before you choose the ring pattern to register

You can only register one Distinctive Ring pattern with the machine. Some ring patterns cannot be registered. The ring patterns below are supported by your Brother machine. Register the one your telephone company gives you.

Ring Pattern	Rings	
1	short-short or long-long	
2	short-long-short	
3	short-short-long	
4	very long (normal pattern)	

NOTE

Ring Pattern #1 is often called Short-Short and is the most commonly used.


If the ring pattern you received is not on this chart, **call your telephone company and ask for one that is shown.**


- The machine will only answer calls to its registered number.
- The first two rings are silent on the machine. This is because the fax must “listen” to the ring pattern (to compare it to the pattern that was “registered”). Other telephones on the same line will ring.
- If you program the machine correctly, it will recognize the registered ring pattern of the “fax number” within 2 ring patterns and then answer with fax tones. When the “voice number” is called, the machine will not answer.

Registering the Distinctive Ring pattern



Very Important !

After you have set the Distinctive Ring feature to **On**, your Distinctive Ring number will receive faxes automatically. The Receive Mode is automatically set to **Manual** and you cannot change it to another Receive Mode while Distinctive Ring is set to **On**. This ensures the Brother machine will only answer the Distinctive Ring number and will not interfere when your main telephone number is called. When Distinctive Ring is on, the Touchscreen will show **D/R** as the Receive Mode.

- 1 Press  (Settings).
- 2 Press **▲** or **▼** on the Touchpanel to display **Fax**.
- 3 Press **Fax**.
- 4 Press **▲** or **▼** to display **Miscellaneous**.

- 5 Press **Miscellaneous**.
- 6 Press **Distinctive**.
- 7 Do one of the following:
 - If you have not registered the Distinctive Ring, press **Distinctive**, and then press **On**. Go to step 8.
 - If you have already registered the Distinctive Ring, and want to change the pattern, go to step 8.
- 8 Press **Ring Pattern**.
- 9 Press the stored ring pattern you want to use.
Press **OK**.
(You will hear each ring pattern as you press its number. Make sure you choose the pattern that the telephone company gave you.)
- 10 Press .
Distinctive Ring is now set to **On**.

Turning off Distinctive Ring

- 1 Press  (Settings).
- 2 Press **^** or **v** on the Touchpanel to display **Fax**.
- 3 Press **Fax**.
- 4 Press **^** or **v** to display **Miscellaneous**.
- 5 Press **Miscellaneous**.
- 6 Press **Distinctive**.
- 7 Press **Distinctive**.
- 8 Press **Off**.
- 9 Press .

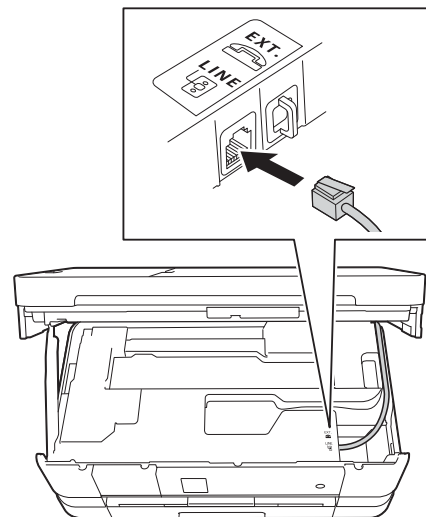
NOTE

If you turn off Distinctive Ring, the machine will stay in **Manual** mode. You will need to set the **Receive Mode** again. (See *Choose the correct Receive Mode* on page 41.)

Voice over Internet Protocol (VoIP)

VoIP is a type of phone system that uses an Internet connection instead of a traditional telephone line. Telephone providers frequently bundle VoIP together with Internet and cable services.

Your machine may not work with some VoIP systems. If you want to use your machine to send and receive faxes on a VoIP system, make sure that one end of your telephone cord is connected to the jack labeled **LINE** on your machine. The other end of the telephone cord may be connected to a modem, interface box, phone adapter, splitter, or other such device.



- **If you have questions about how to connect your machine to the VoIP system, please contact your VoIP provider.**

After you have connected your machine to the VoIP system, press **Hook** on the Touchscreen to verify that the machine has a dial tone. If the machine does not have a dial tone, please contact your VoIP provider.

If you are having problems sending or receiving faxes over a VoIP system, we recommend changing the machine's modem speed to the **Basic (for VoIP)** setting (see *Telephone line interference / VoIP* on page 115).

Connecting an external TAD (telephone answering device)

You may choose to connect an external answering device. However, when you have an **external** TAD on the same telephone line as the machine, the TAD answers all calls and the machine “listens” for fax calling (CNG) tones. If it hears them, the machine takes over the call and receives the fax. If it does not hear CNG tones, the machine lets the TAD continue playing your outgoing message so your caller can leave you a voice message.

The TAD must answer within four rings (the recommended setting is two rings). The machine cannot hear CNG tones until the TAD has answered the call, and with four rings, there are only 8 to 10 seconds of CNG tones left for the fax “handshake.” Make sure you carefully follow the instructions in this guide for recording your outgoing message. We do not recommend using the toll saver feature on your external answering machine if it exceeds five rings.

NOTE

- If you do not receive all your faxes, shorten the Ring Delay setting on your external TAD.

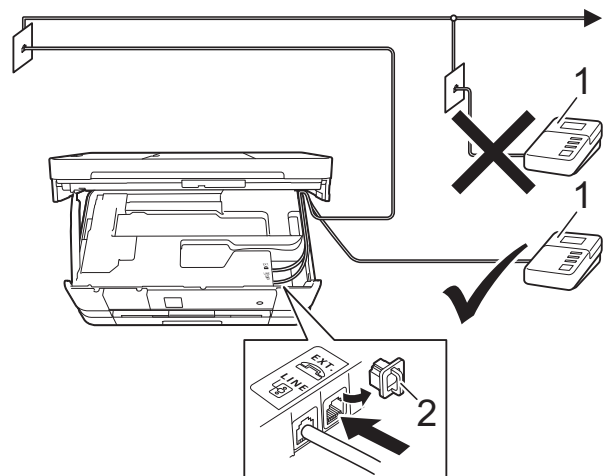
- **If you subscribe to your telephone company's Distinctive Ring service:**

You may connect an external TAD to a separate wall jack only if you subscribe to your telephone company's Distinctive Ring service, have registered the distinctive ring pattern on your machine, and use that number as a fax number. The recommended setting is at least four rings on the external TAD when you have the telephone company's Distinctive Ring service. You cannot use the Toll Saver setting.

- **If You Do Not Subscribe to the Distinctive Ring Service:**

You must plug your TAD into the EXT. jack of your machine. If your TAD is plugged into a wall jack, both your machine and the TAD will try to control the telephone line. (See the illustration below.)

- Before you connect the external TAD, remove the protective cap (2) from the EXT. jack on the machine.



1 TAD

2 Protective Cap

When the TAD answers a call, the Touchscreen shows Telephone.

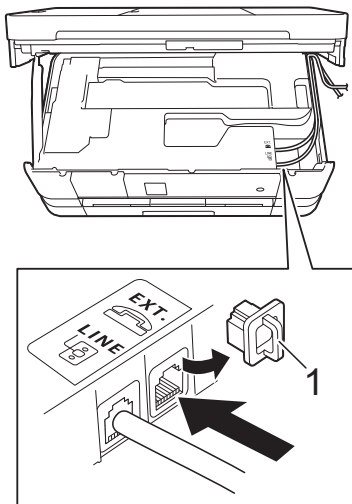
IMPORTANT

DO NOT connect a TAD elsewhere on the same telephone line.

Connections

The external TAD must be plugged into the jack labeled EXT. Your machine cannot work correctly if you plug the TAD into a wall jack (unless you are using Distinctive Ring).

- 1 Using both hands, use the finger holds on each side of the machine to lift the scanner cover into the open position.
- 2 Plug the telephone line cord from the telephone wall jack into the jack labeled LINE.
- 3 Remove the protective cap (1) from the jack labeled EXT., and then plug the telephone line cord from the external TAD into the EXT. jack. (Make sure this cord is connected to the TAD at the TAD's telephone line jack, and not its handset jack.)



- 4 Carefully guide the telephone line cord into the cable channel and out the back of the machine.

- 5 Lift the scanner cover to release the lock. Gently push the scanner cover support down and close the scanner cover using both hands.
- 6 Set your external TAD to four rings or less. (The machine's Ring Delay setting does not apply.)
- 7 Record the outgoing message on your external TAD.
- 8 Set the TAD to answer calls.
- 9 Set the Receive Mode to External TAD. (See *Choose the correct Receive Mode* on page 41.)

Recording an outgoing message (OGM) on the external TAD

Timing is important in recording this message. The way you record this message will affect both manual and automatic fax reception.

- 1 Record 5 seconds of silence at the beginning of your message. (This allows your machine time to listen for the fax CNG tones of automatic transmissions before they stop.)
- 2 Limit your speaking to 20 seconds.
- 3 End your 20-second message by giving your Fax Receive Code for people sending manual faxes. For example: "After the beep, leave a message or send a fax by pressing * 5 1 and **Start**."

NOTE

We recommend beginning your OGM with an initial 5-second silence because the machine cannot hear fax tones over a resonant or loud voice. You may try omitting this pause, but if your machine has trouble receiving, then you must re-record the OGM to include it.

Multi-line connections (PBX)

We suggest you ask the company who installed your PBX to connect your machine. If you have a multi-line system, we suggest you ask the installer to connect the unit to the last line on the system. This prevents the machine being activated each time the system receives telephone calls. If all incoming calls will be answered by a switchboard operator, we recommend that you set the Receive Mode to *Manual*.

We cannot guarantee that your machine will operate correctly under all circumstances when connected to a PBX. Any difficulties with sending or receiving faxes should be reported first to the company who handles your PBX.

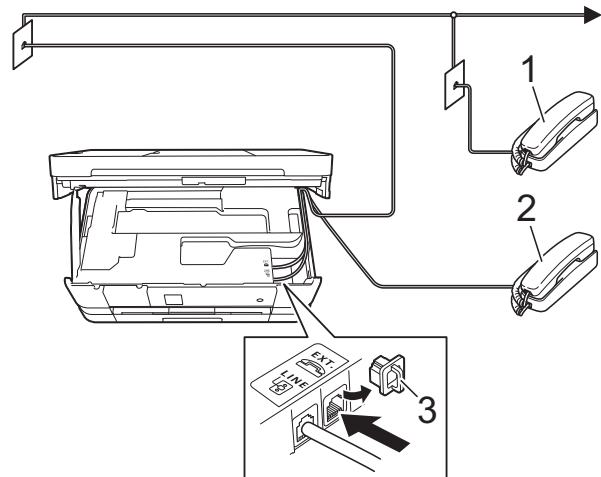
External and extension telephones

Connecting an external or extension telephone

You can connect a separate telephone to your machine as shown in the diagram below.

Connect the telephone line cord to the jack labeled EXT inside the machine.

Before you connect the external telephone, remove the protective cap (3) from the EXT. jack.



- 1 Extension telephone
- 2 External telephone
- 3 Protective Cap

Using external and extension telephones

Using extension telephones

If you answer a fax call at an extension telephone, you can make your machine receive the fax by pressing the Fax Receive Code * 5 1.

If the machine answers a voice call and pseudo/double-rings for you to take over, you can take the call at an extension telephone by pressing the Telephone Answer Code # 5 1. (See *F/T Ring Time (Fax/Tel mode only)* on page 44.)

Using an external telephone (connected to the EXT. jack of the machine)

If you answer a fax call at the external telephone connected to the EXT. jack of the machine, you can make the machine receive the fax by pressing **Fax Start** and choosing **Receive**.

You can also use the Fax Receive Code * 5 1.

If the machine answers a voice call and pseudo/double-rings for you to take over, you can take the call at the external telephone by pressing **Pickup**.

If you answer a call and no one is on the line:

You should assume that you're receiving a manual fax.

Press * 5 1 and wait for the chirp or until the Touchscreen shows **Receiving**, and then hang up.

NOTE

You can also use the Easy Receive feature to make your machine automatically take the call. (See *Easy Receive* on page 45.)

Using a non-Brother cordless external telephone

If your non-Brother cordless telephone is connected to the EXT. jack inside the machine and you typically carry the cordless handset elsewhere, it is easier to answer calls during the Ring Delay.

If you let the machine answer first, you will have to go to the machine so you can press **Pickup** to send the call to the cordless handset.

Using remote codes

Fax Receive Code

If you answer a fax call on an extension telephone, you can tell your machine to receive it by dialing the Fax Receive Code * 5 1. Wait for the chirping sounds and then replace the handset. (See *Easy Receive* on page 45.)

If you answer a fax call at the external telephone connected to the EXT. jack of the machine, you can make the machine receive the fax by pressing **Fax Start** and choosing **Receive**.









Telephone Answer Code

If you receive a voice call and the machine is in Fax/Tel mode, it will start to sound the F/T (pseudo/double) ring after the initial ring delay. If you pick up the call on an extension telephone, you can turn the F/T Ring off by pressing # 5 1 (make sure you press this *between* the rings).

If the machine answers a voice call and pseudo/double-rings for you to take over, you can take the call at the external telephone connected to the EXT. jack of the machine by pressing **Pickup**.

Changing the remote codes

The preset Fax Receive Code is * **5 1**. The preset Telephone Answer Code is # **5 1**. If you want to, you can replace them with your own codes.


- 1 Press  (Settings).
- 2 Press  or  on the Touchpanel to display Fax.
- 3 Press Fax.
- 4 Press  or  to display Setup Receive.
- 5 Press Setup Receive.
- 6 Press  or  to display Remote Codes.
- 7 Press Remote Codes.
- 8 Press On.
- 9 Do one of the following.
 - If you want to change the Fax Receive Code, enter the new code. Press OK. Go to step 10.
 - If you do not want to change the Fax Receive Code, press OK. Go to step 10.
- 10 Do one of the following.
 - If you want to change the Telephone Answer Code, enter the new code. Press OK. Go to step 11.
 - If you do not want to change the Telephone Answer Code, press OK. Go to step 11.
- 11 Press .

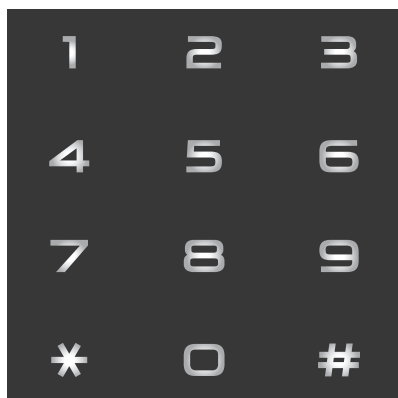
NOTE

- If you are always disconnected when accessing your external TAD remotely, try changing the Fax Receive Code and Telephone Answer Code to another three-digit code (such as # # # and 9 9 9).
- Remote Codes might not work with some telephone systems.

How to dial



Manual dialing

- 1 Load your document.
- 2 Press  (Fax).
- 3 Press all of the digits of the fax number.



- 4 Press **Fax Start**.

Speed Dialing

- 1 Load your document.
- 2 Press  (Fax).
- 3 Press  (Address).
- 4 Do one of the following:
 - Press **Alphabetical** or **Numerical**, and then press the number you want to dial.
 - Press the 2-digit Speed Dial number using the dial pad.

NOTE


If the Touchscreen shows **Not Registered** when you enter a Speed Dial number it means a number has not been stored at this location.

- 5 To send a fax, press **Send a fax** and go to step 6.
- 6 Press **Fax Start**.
The machine scans and sends the fax.

Fax Redial

If you are sending a fax automatically and the line is busy, the machine will redial once after five minutes.

Redial only works if you dialed from the machine.

- 1 Load your document.
- 2 Press  (Fax).
- 3 Press **Redial**.
- 4 Press **Fax Start**.

NOTE

- In Real Time Transmission the automatic redial feature does not work when you are using the scanner glass.
- If you are sending a fax manually and the line is busy, press **Hook** before performing step 3 above.
- Redial will change to **Pause** when you enter a fax number.

Storing numbers

You can set up your machine to do the following types of easy dialing: Speed Dial and Groups for broadcasting faxes. When you dial a Speed Dial number, the Touchscreen shows the number.

NOTE


If you lose electrical power, the Speed Dial numbers that are in the memory will not be lost.



Storing a pause

When you are storing Speed Dial numbers, you can insert one or more 3.5-second pauses by pressing PAUSE on the Touchscreen.

Storing Speed Dial numbers

You can store up to 100 2-digit Speed Dial locations with a name, and each name can have two numbers. When you dial you will only have to press a few buttons on the Touchscreen (for example: press


 (Address), the number you want to call and Send a fax).


- 1 Press  (Fax).
- 2 Press  (Address).
- 3 If Speed Dial numbers have already been stored, press **Alphabetical** or **Numerical**.
- 4 Press **More**.
- 5 Press **^** or **v** on the Touchpanel to display **Set Speed Dial**.
- 6 Press **Set Speed Dial**.

- 7 Do one of the following:
 - Enter the name (up to 16 characters) using the keyboard on the Touchscreen.
Press **OK**.
(To help you enter letters, see *Entering Text* on page 152.)
 - To store the number without a name, press **OK**.
- 8 Enter the first fax or telephone number (**□□1 :**) using the keyboard on the Touchscreen (up to 20 digits).
Press **OK**.

NOTE


If you downloaded Internet Fax:

If you want to store an E-mail address to use with Internet Fax or Scan to E-mail Server, press  and enter the E-mail address and press **OK**. (See *Entering Text* on page 152.)

- 9 Do one of the following:
 - Enter the second fax or telephone number (**□□2 :**) using the keyboard on the Touchscreen (up to 20 digits).
Press **OK**.
 - If you do not want to store a second number, press **OK**.
- 10 To choose where the number will be stored, do one of the following:
 - To accept the displayed next available Speed Dial location, press **OK**.
 - To enter a different Speed Dial location, press  and then enter a 2-digit number using the keyboard on the Touchscreen.
Press **OK**.



NOTE

If the 2-digit Speed Dial location you choose is already taken, the **OK** button on the Touchscreen will not work. Choose a different location.

- 11 When the Touchscreen displays your settings, press **OK** to confirm.
- 12 Do one of the following:
 - To store another Speed Dial number, repeat steps 4 to 11.
 - To finish storing numbers, press .

Changing Speed Dial names or numbers


You can change the name or number of a Speed Dial that has already been stored, or delete it by deleting all of its numbers.


- 1 Press  (Fax).
- 2 Press  (Address).
- 3 Press **Alphabetical** or **Numerical**.
- 4 Press **More**.
- 5 Do one of the following:
 - Press **▲** or **▼** to display **Change**. Press **Change** to edit the names or numbers.
 - Press **▲** or **▼** to display **Delete**. Press **Delete**.
Select the numbers you want to delete by pressing them to display a red check mark.
Press **OK**.
Press **Yes** to confirm.
Go to step 10.
- 6 Press **▲** or **▼** to display the number you want to change.


- 7 Press the number you want to change.
- 8 Do one of the following:
 - If you want to change the name, press **Name**.
Enter the new name (up to 16 characters) using the keyboard on the Touchscreen. (See *Entering Text* on page 152.)
Press **OK**.
 - If you want to change the first fax or telephone number, press **☐☐1**:.
Enter the new fax or telephone number (up to 20 digits) using the keyboard on the Touchscreen.
Press **OK**.
 - If you want to change the second Fax/Tel number, press **☐☐2**:.
Enter the new fax or telephone number (up to 20 digits) using the keyboard on the Touchscreen.
Press **OK**.

NOTE

How to change the stored name or number:

If you want to change a character, press **◀** or **▶** to position the cursor underneath the character you want to change, and then press . Enter the new character.

If you want to change a stored number, press  repeatedly to delete the number. Enter the new number.

- 9 The Touchscreen will display your settings.
Do one of the following:
 - Press **OK** to finish.
To change another Speed Dial number, repeat steps 6 to 9.
 - To change more information, return to 8.
- 10 Press .

8

Making copies

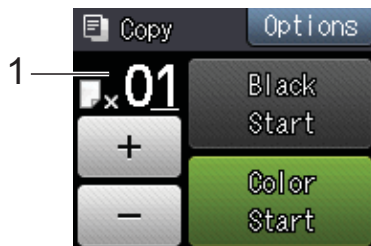
How to copy

The following steps show the basic copy operation.

- 1 Do one of the following to load your document:
 - (MFC-J4410DW and MFC-J4610DW)
Place the document *face down* in the ADF.
(See Using the ADF (MFC-J4410DW and MFC-J4610DW) on page 34.)
 - Place the document *face down* on the scanner glass.
(See Using the scanner glass on page 35.)

- 2 Press  (Copy).

- The Touchscreen shows:



- 1 **No. of Copies**
You can enter the number of copies by pressing - or + on the Touchscreen (as shown above) or by using the dial pad.
- 3 If you want more than one copy, enter the number (up to 99).
- 4 Press **Black Start** or **Color Start**.

Stop copying

To stop copying, press .

Copy options

You can change the following copy settings. Press **Copy** and then press **Options**. Press **^** or **v** on the Touchpanel to scroll through the copy settings. When the setting you want is displayed, press it and choose your option.

(Basic User's Guide)

For information about changing the following copy settings, see pages 59 to 60.

- Paper Type
- Paper Size
- Tray Select ¹

¹ MFC-J4610DW only.

(Advanced User's Guide)

For information about changing the following copy settings, see Advanced User's Guide: *Copy options*.


- Quality
- Enlarge/Reduce
- Page Layout
- 2in1 (ID)
- Stack/Sort
- Density
- 2-sided Copy
- Ink Save Mode
- Thin Paper Copy
- Book Copy
- Remove Background
- Set New Default
- Factory Reset

NOTE

(MFC-J4410DW and MFC-J4610DW)
If you want to sort copies, use the ADF.


Paper Type

If you are copying on special paper, set the machine for the type of paper you are using to get the best print quality.

- 1 Press  (Copy).
- 2 Load your document.
- 3 Enter the number of copies you want.
- 4 Press **Options**.
- 5 Press **^** or **v** on the Touchpanel to display **Paper Type**.
- 6 Press **Paper Type**.
- 7 Press **^** or **v** to display **Plain Paper**, **Inkjet Paper**, **Brother BP71**, **Other Glossy** or **Transparency**, and then press the option you want to set.
- 8 If you do not want to change more settings, press **OK**.
- 9 Press **Black Start** or **Color Start**.

Paper Size

If you are copying on paper other than Letter size, you will need to change the Paper Size setting. You can copy only on Letter, Legal, Ledger, A4, A5, A3, Executive or Photo 4" × 6" (10 × 15 cm) paper.

- 1 Load your document.
- 2 Press  (Copy).
- 3 Enter the number of copies you want.
- 4 Press **Options**.
- 5 Press **^** or **v** on the Touchpanel to display **Paper Size**.
- 6 Press **Paper Size**.
- 7 Press **^** or **v** to display **Letter**, **Legal**, **Ledger**, **A4**, **A5**, **A3**, **EXE** or **4"×6"**, and then press the option you want to set.


NOTE

- If you choose **Legal**, **Ledger** or **A3**, the instruction for loading paper will be displayed. Read the information on the Touchscreen and then confirm by pressing **OK**.
- If you are using the manual feed slot insert only one sheet of paper at a time. (See *Loading paper in the manual feed slot* on page 22.)

- 8 If you do not want to change more settings, press **OK**.
- 9 Press **Black Start** or **Color Start**.

Tray Select (MFC-J4610DW)

You can change the tray temporarily for the next copy. To change the default tray setting see *Tray use in Copy mode (MFC-J4610DW)* on page 28.

- 1 Load your document.
- 2 Press  (Copy).
- 3 Enter the number of copies you want.
- 4 Press Options.
- 5 Press **^** or **v** on the Touchpanel to display Tray Select.
- 6 Press Tray Select.
- 7 Press Tray #1, Tray #2 or Auto Tray Select.
- 8 If you do not want to change additional settings, press OK.
- 9 Press Black Start or Color Start.

PhotoCapture Center™: Printing photos from a memory card or USB Flash memory drive

PhotoCapture Center™ operations (PHOTO mode)

Even if your machine is *not* connected to your computer, you can print photos directly from digital camera media or a USB Flash memory drive. (See *Print Images* on page 64.)

You can scan documents and save them directly to a memory card or USB Flash memory drive. (See *How to scan to a memory card or USB Flash memory drive* on page 65.)

If your machine is connected to a computer, you can use your computer to access a memory card or USB Flash memory drive that is inserted in the front of the machine.

(See Software User's Guide: *PhotoCapture Center™* (Windows®).)

(See Software User's Guide: *Remote Setup & PhotoCapture Center™* (Macintosh).)

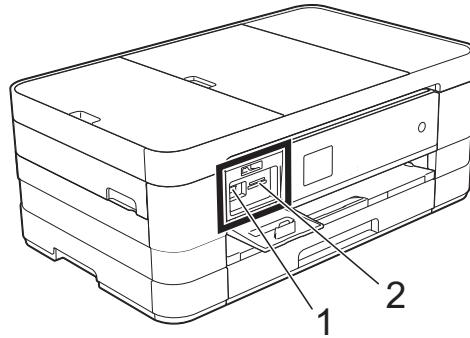
Using a memory card or USB Flash memory drive

Your Brother machine has media drives (slots) for use with the following popular digital camera media: Memory Stick Duo™, Memory Stick PRO Duo™, SD Memory Card, SDHC Memory Card, SDXC Memory Card, MultiMedia Card, MultiMedia Card plus and USB Flash memory drives.

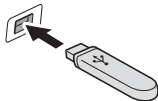
The PhotoCapture Center™ feature lets you print digital photos from your digital camera at high resolution to get photo quality printing.

Getting started

- 1 Open the media slot cover.
- 2 Firmly put a memory card or USB Flash memory drive into the correct slot.



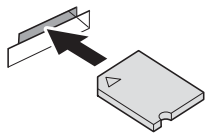

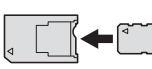
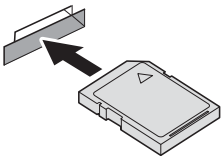
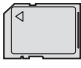
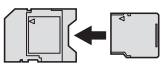
1 USB Flash memory drive



IMPORTANT

The USB direct interface supports only a USB Flash memory drive, a PictBridge-compatible camera, or a digital camera that uses the USB mass storage standard. Any other USB devices are not supported.

2 Memory card slot

Slot	Compatible memory cards	
Upper slot 		Memory Stick Duo™ Memory Stick PRO Duo™
		Memory Stick Micro™ (Adapter required)
Lower slot 		SD Memory Card SDHC Memory Card SDXC Memory Card MultiMedia Card MultiMedia Card plus
		miniSD (Adapter required) miniSDHC (Adapter required) microSD (Adapter required) microSDHC (Adapter required) MultiMedia Card mobile (Adapter required)



IMPORTANT

- DO NOT insert a Memory Stick Duo™ into the lower SD slot. Doing this may cause damage to the machine.
 - DO NOT insert more than one media card in the machine at the same time. Doing this may cause damage to the machine.
 - DO NOT unplug the power cord or remove the memory card or USB Flash memory drive from the media drive (slot) or USB direct interface while the machine is reading or writing to the memory card or USB Flash memory drive. **You will lose your data or damage the card.**
-

The machine can only read one memory card or USB Flash memory drive at a time.

Print Images

View Photos

You can preview your photos on the Touchscreen before you print them. If your photos are large files there may be a delay before each photo is displayed.

- 1 Open the media slot cover.
- 2 Put the memory card or USB Flash memory drive in the correct slot.
- 3 Press `View Photos`.
- 4 Press `▲` or `▼` on the Touchpanel to display the photo you want to print.
- 5 Press `+` or `-` to select the number of copies you want to print.
- 6 Repeat step 4 and 5 until you have chosen all the photos you want to print. Press `OK`.
- 7 You now have the following options.
 - If you want to change the print settings, press `Options`. (See Advanced User's Guide: *PhotoCapture Center™ print settings*.)
 - If you do not want to change any settings, go to step 8.
- 8 Press `Start` to print.

PhotoCapture Center™ print settings

You can change the print settings for the next printing.

These settings are temporary, and the machine returns to its default settings one minute after printing.



NOTE

You can save the print settings you use most often by setting them as the default. (See Advanced User's Guide: *Setting your changes as the new default*.)



How to scan to a memory card or USB Flash memory drive

You can scan black & white and color documents into a memory card or USB Flash memory drive. Black & white documents will be stored in PDF (*.PDF) or TIFF (*.TIF) file formats. Color documents may be stored in PDF (*.PDF) or JPEG (*.JPG) file formats. The factory setting is **Color** and **200 dpi** and the default file format is **PDF**. The machine creates file names based on the current date. (See Quick Setup Guide.) For example, the fifth image scanned on July 1, 2012 would be named 07011205.PDF. You can change the color and resolution.

- 1 Load your document.
- 2 Open the media slot cover.
- 3 Put the memory card or USB Flash memory drive in the correct slot.
- 4 Press .
- 5 Press  (Scan).
- 6 Press **^** or **v** on the Touchpanel to display **Scan to Media**.
- 7 Press **Scan to Media**.

IMPORTANT

DO NOT take out the memory card or USB Flash memory drive while the machine is reading or writing to it to avoid damaging the card, USB Flash memory drive, or the data stored on them.

- 8 Press **Options**.
Do one or more of the following:
 - To change the scan type, press **^** or **v** to display **Scan Type**. Press **Scan Type** and choose **Color** or **Black and White**.
 - To change the resolution, press **^** or **v** to display **Resolution**. Press **Resolution** and choose **100 dpi**, **200 dpi**, **300 dpi**, **600 dpi** or **Auto**.
 - To change the file type, press **^** or **v** to display **File Type**. Press **File Type** and choose **PDF**, **JPEG** or **TIFF**.
 - If you want to change the file name, press **^** or **v** to display **File Name**. Press **File Name** and enter the file name.
You can only change the first 6 characters.
Press **OK**.
 - To remove background color, press **^** or **v** to display **Remove Background**. Press **Remove Background** and choose **Low**, **Medium**, **High** or **Off**.

NOTE

Remove Background removes the base color of documents to make the scanned data more recognizable.

- 9 When you are finished choosing settings, press **OK**.

NOTE

- If you chose color in the **Scan Type** setting, you cannot choose **TIFF**.
- If you chose black & white in the **Scan Type** setting, you cannot choose **JPEG**.

- 10 Press **Start**.

Printing a document

The machine can receive data from your computer and print it. To print from a computer, you must install the printer driver.

(See Software User's Guide: *Printing* (Windows®).)

(See Software User's Guide: *Printing and Faxing* (Macintosh).)

- 1 Install the Brother printer driver from the CD-ROM. (See Quick Setup Guide.)
- 2 From your application, choose the Print command.
- 3 Choose the name of your machine in the **Print** dialog box and click **Properties** or **Preferences**, depending on the application you are using.
- 4 Choose the settings you want to change in the Properties dialog box.
 - **Media Type**
 - **Print Quality**
 - **Paper Size**
 - **Orientation**
 - **Color / Grayscale**
 - **Ink Save Mode**
 - **Scaling**
 - **2-sided / Booklet**
- 5 Click **OK**.
- 6 Click **Print** (or **OK** depending on the application you are using) to begin printing.

Before scanning

To use the machine as a scanner, install a scanner driver. If the machine is on a network, configure it with a TCP/IP address.

- Install the scanner drivers from the CD-ROM. (See Quick Setup Guide: *Install MFL-Pro Suite*.)
- Configure the machine with a TCP/IP address if network scanning does not work. (See Software User's Guide: *Configuring Network Scanning for Windows*[®].)


Scanning a document as a PDF file using ControlCenter4 (Windows®)

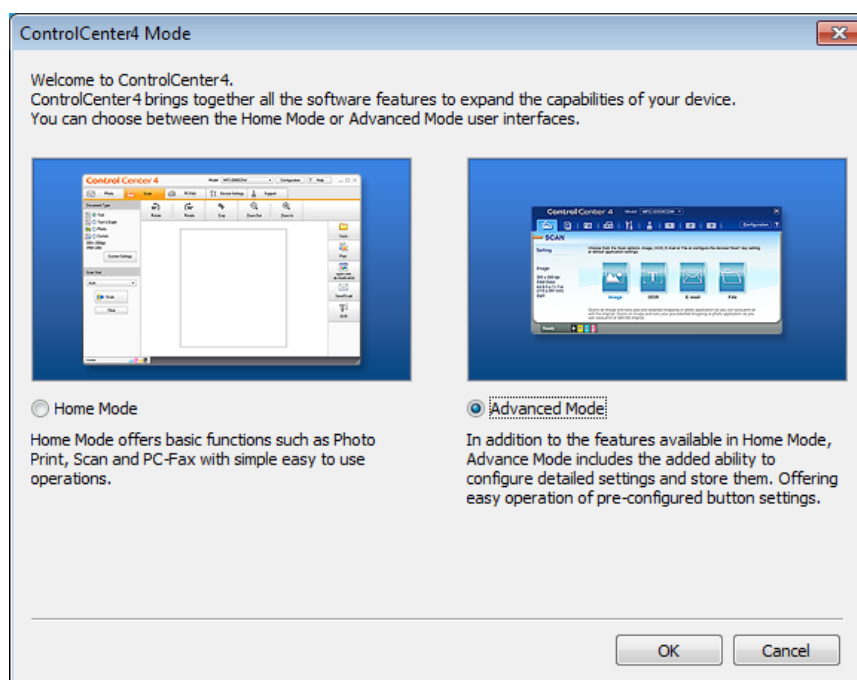
(For detailed information, see Software User's Guide: *Scanning*.)

NOTE

The screens on your PC may vary depending on your model.

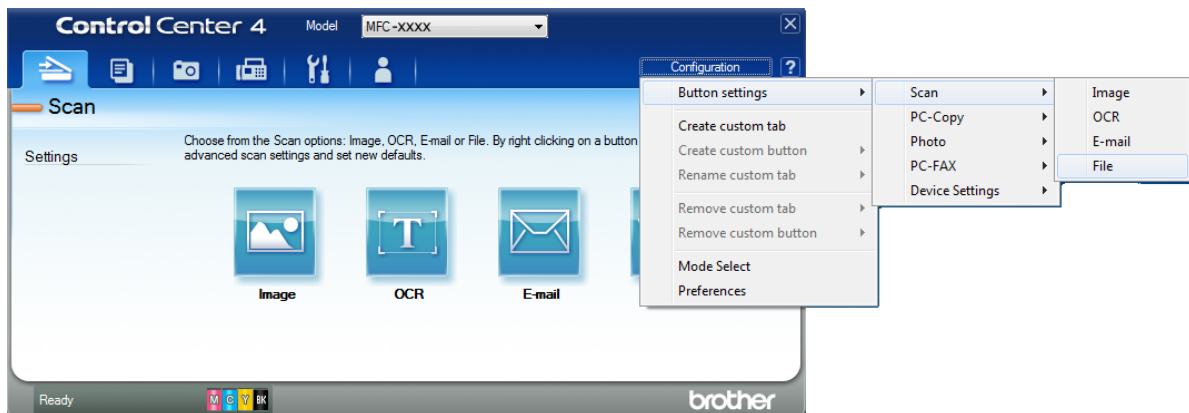
ControlCenter4 is a software utility that lets you quickly and easily access the applications you use most often. Using ControlCenter4 eliminates the need to manually launch specific applications. You can use ControlCenter4 on your computer.

- 1 Load your document. (See *How to load documents* on page 34.)
- 2 Open ControlCenter4 by clicking /All Programs/Brother/MFC-XXXX (where XXXX is your model name)/ControlCenter4. The ControlCenter4 application will open.
- 3 If the ControlCenter4 Mode screen appears, choose the **Advanced Mode** and then click **OK**.

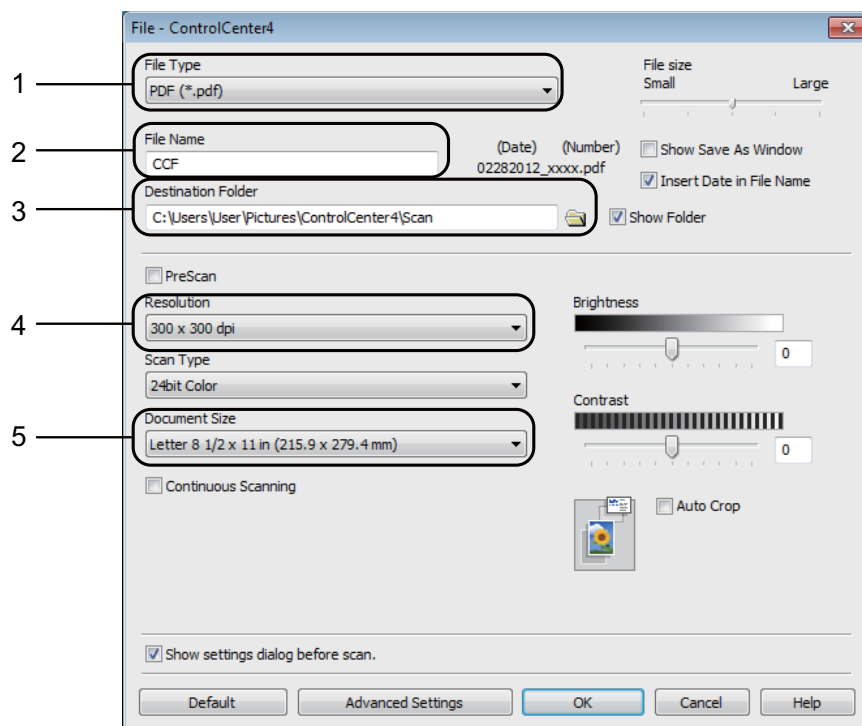



- 4 Make sure the machine you want to use is selected from the **Model** pull-down list.

- 5 Set the scanning configuration.
Click **Configuration**, and then select **Button settings**, **Scan** and **File**.



The configuration dialog box appears. You can change the default settings.



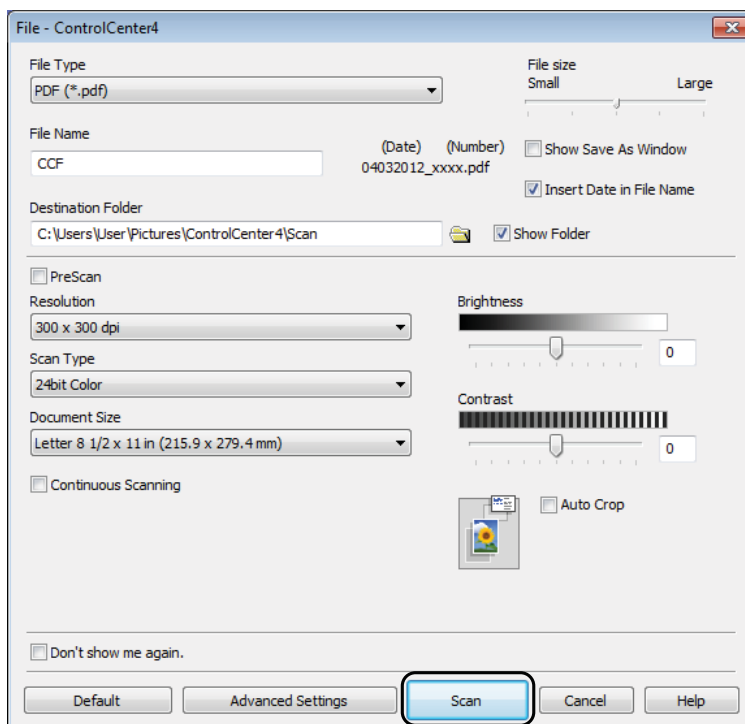
- 1 Choose **PDF (*.pdf)** from the **File Type** pull-down list.
- 2 You can enter the file name you want to use for the document.
- 3 You can save the file to the default folder, or choose your preferred folder by clicking the  (**Browse**) button.
- 4 You can choose a scanning resolution from the **Resolution** pull-down list.
- 5 You can choose the document size from the **Document Size** pull-down list.

- 6 Click **OK**.

7 Click **File**.




8 Press **Scan**.
The machine starts the scanning process. The folder where the scanned data is saved will open automatically.



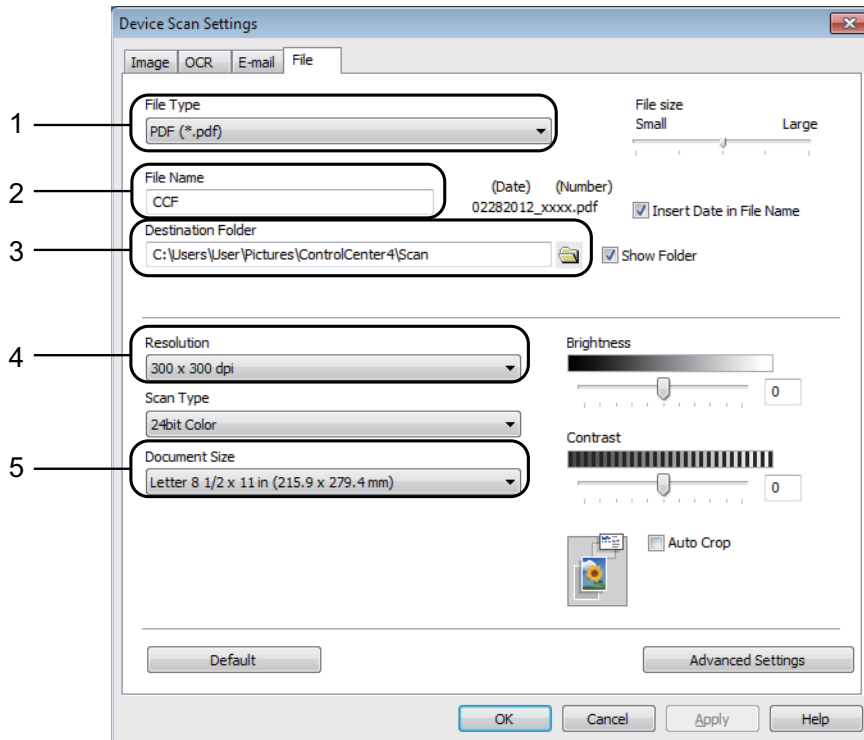
How to change the machine's Scan mode settings for PDF scanning


You can change your machine's Scan mode settings using ControlCenter4. (Windows®)

- 1 Open ControlCenter4 by clicking /All Programs/Brother/MFC-XXXX (where XXXX is your model name)/ControlCenter4. The ControlCenter4 application will open.
- 2 Make sure the machine you want to use is selected from the **Model** pull-down list.
- 3 Click the **Device Settings** tab.
- 4 Click **Device Scan Settings**.




- 5 Choose the **File** tab. You can change the default settings.



- 1 Choose **PDF (*.pdf)** from the **File Type** pull-down list.
- 2 You can enter the file name you want to use for the document.
- 3 You can save the file to the default folder, or choose your preferred folder by clicking the  (**Browse**) button.
- 4 You can choose a scanning resolution from the **Resolution** pull-down list.
- 5 You can choose the document size from the **Document Size** pull-down list.

- 6 Click **OK**.

How to scan a document as a PDF file using the Touchscreen

- 1 Load your document. (See *How to load documents* on page 34.)
- 2 Press  (Scan).
- 3 Press **^** or **v** on the Touchpanel to display `Scan to File`.
- 4 Press `Scan to File`.
- 5 When the machine is connected to a network, press the PC Name.
Do one of the following:
 - If you want to use the default settings, go to step 10.
 - If you want to change the default settings, go to step 6.
- 6 Press `Options`.
- 7 Press `Set with TouchPanel`.
Press `On`.
- 8 Choose the settings for `Scan Type`, `Resolution`, `File Type` and `Remove Background` as needed.
- 9 Press `OK`.
- 10 Press `Start`.
The machine starts the scanning process.

NOTE

The following scan modes are available.

- Scan to OCR
- Scan to File
- Scan to Image
- Scan to Media
- Scan to email
- Scan to E-mail Server
- Scan to FTP
- Scan to Network
- Web Service¹

¹ Windows® users only. (Windows Vista® SP2 or later and Windows® 7)
(See Software User's Guide: *Using Web Services for scanning on your network (Windows Vista® SP2 or later and Windows® 7)*.)

A

Routine maintenance

Replacing the ink cartridges

Your machine is equipped with an ink dot counter. The ink dot counter monitors the level of ink in each of the four cartridges. When the machine detects an ink cartridge is running out of ink, the machine will display a message.

The Touchscreen will show which ink cartridge is low or needs replacing. Be sure to follow the Touchscreen prompts to replace the ink cartridges in the correct order.

Even though the machine tells you to replace an ink cartridge, there will be a small amount of ink left in the ink cartridge. It is necessary to keep some ink in the ink cartridge to prevent air from drying out and damaging the print head assembly.

CAUTION

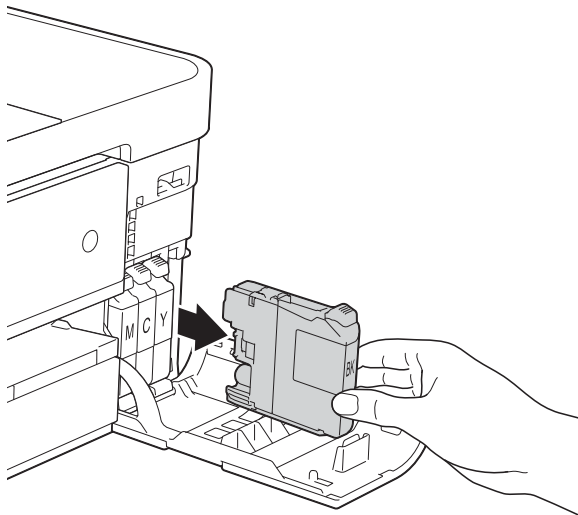
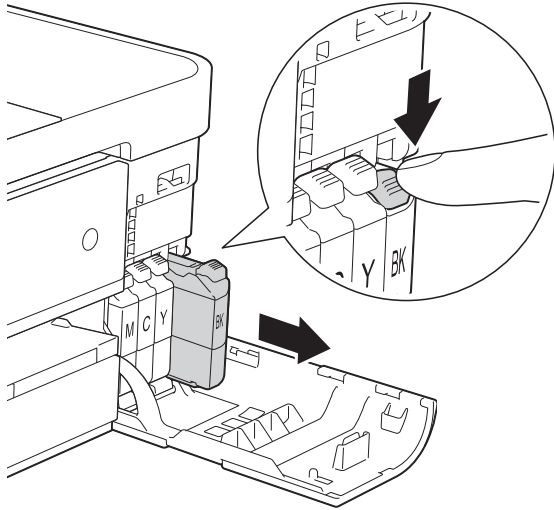
If ink gets in your eyes, wash it out with water at once and call a doctor if you are concerned.

IMPORTANT

Brother strongly recommends that you do not refill the ink cartridges provided with your machine. We also strongly recommend that you continue to use only Genuine Brother Brand replacement ink cartridges. Use or attempted use of potentially incompatible ink and/or cartridges in the Brother machine may cause damage to the machine and/or may result in unsatisfactory print quality. Our limited warranty coverage does not apply to any problem that is caused by the use of unauthorized third-party ink and/or cartridges. To protect your investment and obtain premium performance from the Brother machine, we strongly recommend the use of Genuine Brother Supplies.

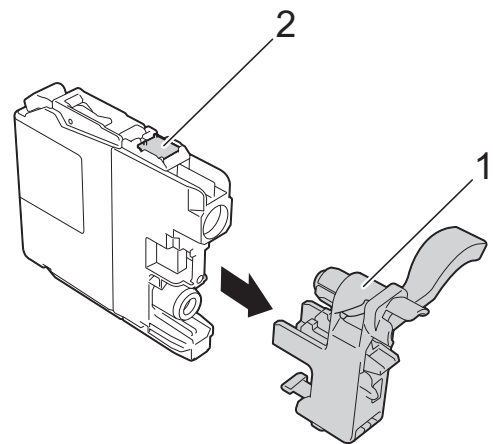
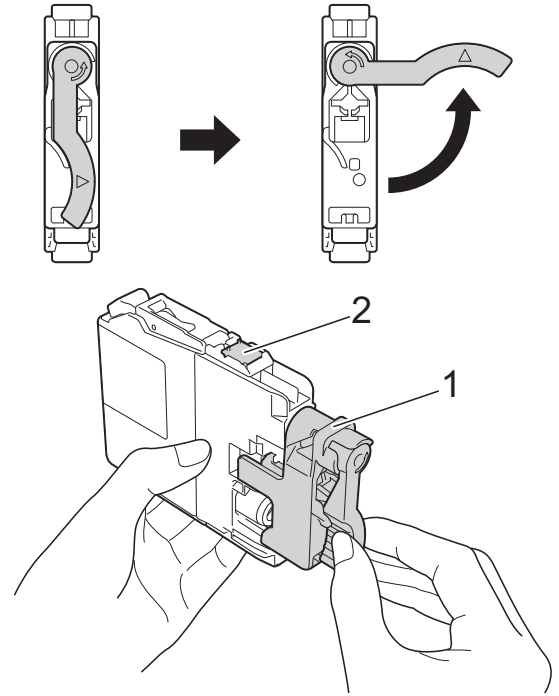
- 1 Open the ink cartridge cover. If one or more of the ink cartridges have reached the end of their life, the Touchscreen shows `B&W Print Only` or `Cannot Print`.

- 2 Press the lock release lever as shown to release the cartridge color indicated on the Touchscreen. Remove the cartridge from the machine.



- 3 Open the new ink cartridge bag for the color indicated on the Touchscreen, and then take out the ink cartridge.

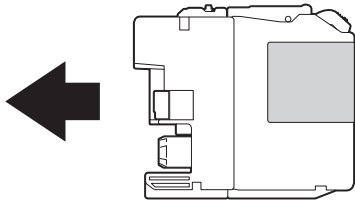
- 4 Turn the green release lever on the orange protective packing (1) counterclockwise until it clicks to release the vacuum seal. Then remove the orange protective packing as shown.



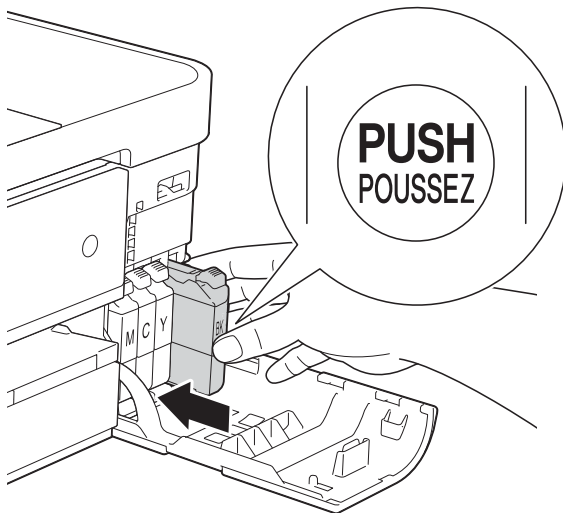
IMPORTANT

DO NOT touch the cartridge in the area indicated (2); this can prevent the machine from detecting the cartridge.

- 5 Each color has its own correct position. Insert the ink cartridge in the direction of the arrow on the label.



- 6 Gently push the back of the ink cartridge marked “PUSH” until it latches, and then close the ink cartridge cover.



- 7 The machine will automatically reset the ink dot counter.

NOTE

- If you replaced an ink cartridge, for example Black, the Touchscreen may ask you to verify that it was a brand new one (for example, Did You Change **BK** Black). For each new cartridge you installed, press Yes to reset the ink dot counter for that color. If the ink cartridge you installed is not a brand new one, be sure to press No.
- If the Touchscreen shows No Ink Cartridge or Cannot Detect after you install the ink cartridge, check that the ink cartridge is installed correctly. Remove the ink cartridge and reinstall it slowly until it latches.

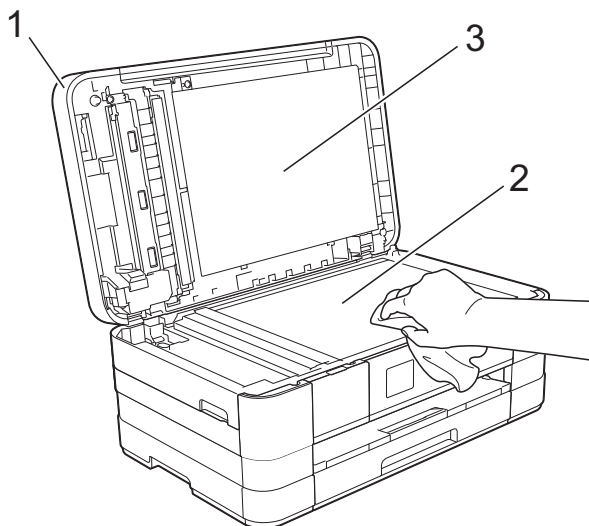
IMPORTANT

- DO NOT take out ink cartridges if you do not need to replace them. If you do so, it may reduce the ink quantity and the machine will not know the quantity of ink left in the cartridge.
- DO NOT touch the cartridge insertion slots. If you do so, the ink may stain your skin.
- If ink gets on your skin or clothing immediately wash it off with soap or detergent.
- If you mix the colors by installing an ink cartridge in the wrong position, the Touchscreen shows Wrong Ink Color. Check which ink cartridges are not matched by colors to their ink cartridge positions and move them to their correct positions.
- Once you open an ink cartridge, install it in the machine and use it up within six months of installation. Use unopened ink cartridges by the expiration date written on the cartridge package.
- DO NOT dismantle or tamper with the ink cartridge; this can cause the ink to leak out of the cartridge.

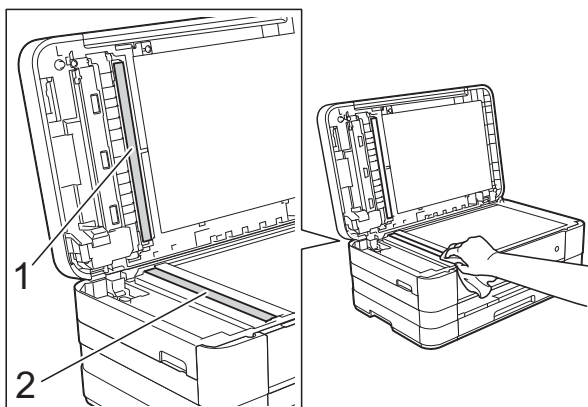
Cleaning and checking the machine

Cleaning the scanner

- 1 Unplug the machine from the AC power outlet.
- 2 Lift the document cover (1). Clean the scanner glass (2) and the white plastic (3) with a soft lint-free cloth moistened with a non-flammable glass cleaner.



- 3 (MFC-J4410DW and MFC-J4610DW) In the ADF unit, clean the white bar (1) and the glass strip (2) with a lint-free cloth moistened with a non-flammable glass cleaner.



NOTE

In addition to cleaning the scanner glass and glass strip with a non-flammable glass cleaner, run your fingertip over the glass to see if you can feel anything on it. If you feel dirt or debris, clean the glass again concentrating on that area. You may need to repeat the cleaning process three or four times. To test, make a copy after each cleaning attempt.



When there is a spot of dirt or correction fluid on the glass strip the printed sample shows a vertical line.



After the glass strip is cleaned the vertical line is gone.

Cleaning the print head

To maintain good print quality, the machine will automatically clean the print head when needed. You can start the cleaning process manually if there is a print quality problem.

Clean the print head if you get a horizontal line in the text or graphics, or blank text on your printed pages. You can clean Black only, three colors at a time (Yellow, Cyan and Magenta), or all four colors at once.


Cleaning the print head consumes ink. Cleaning too often uses ink unnecessarily.

IMPORTANT

DO NOT touch the print head. Touching the print head may cause permanent damage and may void the print head's warranty.

- 1 Press  (Settings).

NOTE

If  is on the Touchscreen, you can press it, and then go to step 5.

- 2 Press **▲** or **▼** on the Touchpanel to display `General Setup`.
- 3 Press `General Setup`.
- 4 Press `Ink`.
- 5 Press **▲** or **▼** to display `Cleaning`.
- 6 Press `Cleaning`.
- 7 Press **▲** or **▼** to display `Black`, `Color` or `All`, and then press the option you want to clean.
The machine cleans the print head. When cleaning is finished, the Touchscreen will return to the Home screen.

NOTE


- If you clean the print head at least five times and the print has not improved, try installing a new Genuine Brother Brand replacement ink cartridge for each problem color. Try cleaning the print head again up to five more times. If the print has not improved call Brother Customer Service. (See *Brother numbers* on page i.)
- You can also clean the print head from your PC.
(See Software User's Guide: *Maintenance tab* (Windows®).)

Checking the print quality

If faded or streaked colors and text appear on your printouts, some of the print head nozzles may be clogged. You can check this by printing the Print Quality Check Sheet and looking at the nozzle check pattern.

- 1 Press  (Settings).

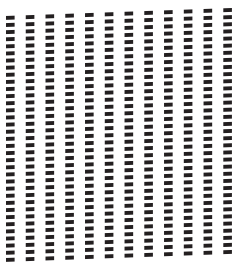
NOTE

If  is on the Touchscreen, you can press it, and then go to step 5.

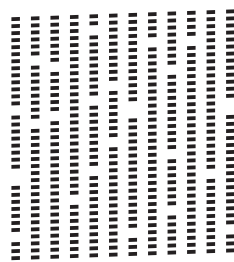
- 2 Press **▲** or **▼** on the Touchpanel to display `General Setup`.
- 3 Press `General Setup`.
- 4 Press `Ink`.
- 5 Press `Test Print`.
- 6 Press `Print Quality`.
- 7 Press `Start`.
The machine begins printing the Print Quality Check Sheet.
- 8 Check the quality of the four color blocks on the sheet.

- 9 The Touchscreen asks you if the print quality is OK.
Do one of the following:
- If all lines are clear and visible, press **Yes** to finish the Print Quality check and go to step 10.
 - If you can see missing short lines as shown below, press **No**.

OK



Poor



- 10 The Touchscreen asks you if the print quality is OK for black and then the three colors.
Press **Yes** or **No**.
- 11 The Touchscreen asks you if you want to start cleaning.
Press **Yes**.
The machine starts cleaning the print head.
- 12 After the cleaning procedure is finished, press **Start**.
The machine starts printing the Print Quality Check Sheet again. Return to step 9 to repeat the procedure.

- 13 Press .

If you clean the print head at least five times and the print has not improved, try installing a new Genuine Brother Brand replacement ink cartridge for each problem color. Try cleaning the print head again up to five more times. If the print has not improved, call Brother Customer Service. (See *Brother numbers* on page i.)

IMPORTANT

DO NOT touch the print head. Touching the print head may cause permanent damage and may void the print head's warranty.

NOTE

When a print head nozzle is clogged, the printed sample looks like this.



Letter, A4 and Executive



Ledger, A3, Legal, A5, A6, envelopes, Photo (4 × 6 in.), Photo L (3.5 × 5 in.), Photo 2L (5 × 7 in.) and Index Card (5 × 8 in.)

After the print head nozzle is cleaned, the horizontal lines are gone.






Checking the print alignment

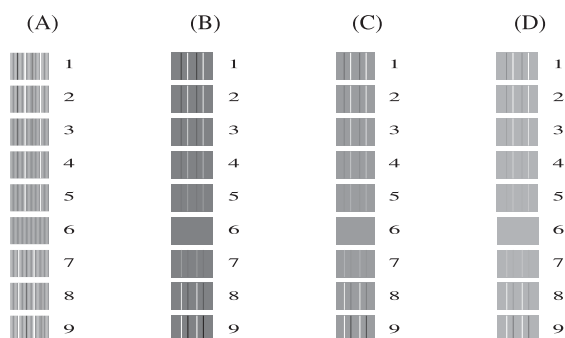
If your printed text becomes blurred or images become faded, you may need to adjust the print alignment after transporting the machine.

- 1 Press  (Settings).


NOTE

If  is on the Touchscreen, you can press it, and then go to step 5.

- 2 Press  or  on the Touchpanel to display `General Setup`.
- 3 Press `General Setup`.
- 4 Press `Ink`.
- 5 Press  or  to display `Test Print`.
- 6 Press `Test Print`.
- 7 Press `Alignment`.
- 8 Press `Start`.
The machine starts printing the Alignment Check Sheet.



In the example above, pattern 6 is the best choice for A, B, C and D.

- 9 For the “A” pattern, press the number of the test print that has the least visible vertical stripes (1-9).
- 10 For the “B” pattern, press the number of the test print that has the least visible vertical stripes (1-9).
- 11 For the “C” pattern, press the number of the test print that has the least visible vertical stripes (1-9).
- 12 For the “D” pattern, press the number of the test print that has the least visible vertical stripes (1-9).
- 13 Press .

If you think there is a problem with your machine, check each of the items below first and follow the troubleshooting tips.

You can correct most problems by yourself. If you need additional help, the Brother Solutions Center offers the latest FAQs and troubleshooting tips.

Visit us at <http://solutions.brother.com/>.

Identifying the problem

First, check the following.

- The machine's power cord is connected correctly and the machine's power switch is turned on.
- All of the protective parts have been removed.
- Paper is inserted correctly in the paper tray.
- The interface cables are securely connected to the machine and the computer, or the wireless connection is set up on both the machine and your computer.
- Touchscreen Messages

(See *Error and Maintenance messages* on page 83.)

If you did not solve the problem with the above checks, identify the problem and then go to the page suggested below.

Paper handling and Printing problems:

- *Printing Difficulties* on page 103
- *Print Quality Difficulties* on page 104
- *Paper Handling Difficulties* on page 107
- *Printing Received Faxes* on page 108

Telephone and Fax problems:

- *Telephone Line or Connections* on page 108
- *Handling Incoming Calls* on page 111
- *Receiving Faxes* on page 109
- *Sending Faxes* on page 110

Copying problems:

- *Copying Difficulties* on page 112

Scanning problems:

- *Scanning Difficulties* on page 112
- *PhotoCapture Center™ Difficulties* on page 112

Software and Network problems:

- *Software Difficulties* on page 113
- *Network Difficulties* on page 113
- *Data entry difficulties* on page 114



Error and Maintenance messages

As with any sophisticated office product, errors may occur and consumable items may need to be replaced. If this happens, your machine identifies the error or required routine maintenance and shows the appropriate message. The most common error and maintenance messages are shown below.


You can correct most errors and perform routine maintenance by yourself. If you need more help, the Brother Solutions Center offers the latest FAQs and troubleshooting tips:

Visit us at <http://solutions.brother.com/>.

NOTE

 lights up when there is an error or maintenance message. Press  to display the error message on the Touchscreen.

Error Message	Cause	Action
B&W Print Only Replace Ink	<p>One or more of the color ink cartridges have reached the end of their life.</p> <p>You can use the machine in black & white mode for approximately four weeks depending on the number of pages you print.</p> <p>While this message appears on the Touchscreen, each operation works in the following way:</p> <ul style="list-style-type: none"> ■ Printing If you choose Grayscale in the Advanced tab of the printer driver, you can use the machine as a black & white printer. 2-sided print is not available when this message appears. ■ Copying If the paper type is set to Plain Paper you can make copies in black & white. 2-sided copy is not available when this message appears. ■ Faxing If the paper type is set to Plain Paper or Inkjet Paper, the machine will receive and print the faxes in black & white. If a sending machine has a color fax, the machine's "handshake" will ask that the fax be sent as black & white. 	<p>Replace the ink cartridges. (See <i>Replacing the ink cartridges</i> on page 74.)</p> <hr/> <p>NOTE</p> <p>The machine will stop all print operations and you will not be able to use the machine until you change to a new ink cartridge in the following cases:</p> <ul style="list-style-type: none"> • If you unplug the machine or take out the ink cartridge. • If the paper type is set to anything except Plain Paper or Inkjet Paper. • (Windows®) If you check Slow Drying Paper in the Basic tab of the printer driver. (Macintosh) If you check Slow Drying Paper in the Print Settings of the printer driver. <hr/>
Cannot Detect	You installed a new ink cartridge too quickly and the machine did not detect it.	Take out the new ink cartridge and re-install it slowly until it latches. (See <i>Replacing the ink cartridges</i> on page 74.)
	An ink cartridge is not installed correctly.	
	If you are not using Genuine Brother Innobella™ ink, the machine may not detect the ink volume.	Use a new Genuine Brother Innobella™ Ink Cartridge. If the error is not cleared, call Brother Customer Service.
Cannot Detect Ink	If you are not using Genuine Brother Innobella™ ink, the machine may not detect the ink volume.	Use a new Genuine Brother Innobella™ Ink Cartridge. If the error is not cleared, call Brother Customer Service.

Error Message	Cause	Action
Cannot Print Replace Ink	One or more of the ink cartridges have reached the end of their life. The machine will stop all print operations. While memory is available, black & white faxes will be stored in the memory. If a sending machine has a color fax, the machine's "handshake" will ask that the fax be sent as black & white. If the sending machine has the ability to convert it, the color fax will be stored in the memory as a black & white fax.	Replace the ink cartridges. (See <i>Replacing the ink cartridges</i> on page 74.)
Comm.Error	Poor telephone line quality caused a communication error.	Send the fax again or connect the machine to another telephone line. If the problem continues, call the telephone company and ask them to check your telephone line.
Connection Fail	You tried to poll a fax machine that is not in Polled Waiting mode.	Check the other fax machine's polling setup.
Cover is Open	The scanner cover is not locked in the closed position.	Lift the scanner cover and then close it again. Make sure the telephone line cord and USB cable (if used) have been guided correctly through the cable channel and out the back of the machine.
	The ink cartridge cover is not locked in the closed position.	Firmly close the ink cartridge cover until it clicks.
Data Remaining	Print data is left in the machine's memory.	Press  . The machine will cancel the job and clear it from the memory. Try to print again.
Disconnected	The other person or other person's fax machine stopped the call.	Try to send or receive again. If calls are stopped repeatedly and you are using a VoIP (Voice over IP) system, try changing the Compatibility to Basic (for VoIP). (See <i>Telephone line interference / VoIP</i> on page 115.)
Document Jam (MFC-J4410DW and MFC-J4610DW)	The document was not inserted or fed correctly, or the document scanned from the ADF was too long.	(See <i>Using the ADF (MFC-J4410DW and MFC-J4610DW)</i> on page 34.) (See <i>Document jam (MFC-J4410DW and MFC-J4610DW)</i> on page 93.)
DR Mode in Use	The machine is in Distinctive Ring mode. You cannot change the Receive Mode from Manual to another mode.	Set Distinctive Ring to Off. (See <i>Turning off Distinctive Ring</i> on page 49.)
High Temperature	The print head is too warm.	Allow the machine to cool down.






Error Message	Cause	Action
Hub is Unusable.	A hub or USB Flash memory drive with hub has been connected to the USB direct interface.	Hubs, including USB Flash memory drives that have a built-in hub, are not supported. Unplug the device from the USB direct interface.
Ink Absorber Full	<p>The ink absorber box or flushing box is full. These components are periodic maintenance items that may require replacement after a period of time to ensure optimum performance from your Brother machine. Because these components are periodic maintenance items, the replacement is not covered under the warranty. The need to replace these items and the time period before replacement is dependent on the number of purges and flushes required to clean the ink system. These boxes acquire amounts of ink during the different purging and flushing operations. The number of times a machine purges and flushes for cleaning varies depending on different situations. For example, frequently powering the machine on and off will cause numerous cleaning cycles since the machine automatically cleans itself upon power up. The use of non-Brother ink may cause frequent cleanings because non-Brother ink could cause poor print quality which is resolved by cleaning. The more cleaning the machine requires, the faster these boxes will fill up.</p> <p>NOTE</p> <p><i>Repairs resulting from the use of non-Brother supplies may not be covered under the stated product warranty.</i></p>	<p>The ink absorber box or flushing box will need to be replaced. Contact Brother Customer Service or a Brother Authorized Service Center to have your machine serviced. (See <i>Brother numbers</i> on page i.)</p> <p>Other reasons for cleaning are:</p> <ol style="list-style-type: none"> 1 After a paper jam has been cleared, the machine automatically cleans itself before the next received fax is printed. 2 The machine automatically cleans itself after sitting idle for more than 30 days (infrequent use). 3 The machine automatically cleans itself after ink cartridges of the same color have been replaced 12 times.
InkAbsorberNearFull	The ink absorber box or flushing box is nearly full.	The ink absorber box or flushing box will need to be replaced soon. Call Brother Customer Service or a Brother Authorized Service Center to have your machine serviced. (See <i>Brother numbers</i> on page i.)

Error Message	Cause	Action
Ink low	One or more of the ink cartridges are near the end of their life. If one of the color ink cartridges is near the end of its life and someone is sending you a color fax, your machine's "handshake" will ask that the fax be sent as black & white. If the sending machine has the ability to convert it, the color fax will be printed at your machine as a black & white fax.	Order a new ink cartridge. You can continue printing until the Touchscreen shows <i>Cannot Print</i> . (See <i>Ordering accessories and supplies</i> on page ii and <i>Replacing the ink cartridges</i> on page 74.)
Low Temperature	The print head is too cold.	Allow the machine to warm up.
Media Error	The memory card is either corrupted, incorrectly formatted, or there is a problem with the memory card.	<p>Remove the memory card from the media drive (slot) of the machine and format it correctly.</p> <p>Put the card firmly into the slot again to make sure it is in the correct position. If the error remains, check the media drive (slot) of the machine by putting in another memory card that you know is working.</p>
Media is Full.	The memory card or USB Flash memory drive you are using has no available space or already contains 999 files.	Your machine can only save to your memory card or USB Flash memory drive if it contains fewer than 999 files. Delete unused files to free some space and try again.
No Caller ID	There is no incoming call history. You have not received any calls or you have not subscribed to the Caller ID service from your telephone company.	If you want to use the Caller ID feature, call your telephone company. (See <i>Advanced User's Guide: Caller ID</i> .)
No File	The memory card or USB Flash memory drive in the media drive does not contain a .JPG file.	Put the correct memory card or USB Flash memory drive into the slot again.
No Ink Cartridge	An ink cartridge is not installed correctly.	Take out the new ink cartridge and re-install it slowly until it latches. (See <i>Replacing the ink cartridges</i> on page 74.)



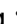

Error Message	Cause	Action
(MFC-J4310DW and MFC-J4410DW) No Paper Fed (MFC-J4610DW) No Paper Fed No Paper Fed #1 No Paper Fed #2	The machine is out of paper or the paper is not correctly loaded in the paper tray.	Do one of the following: <ul style="list-style-type: none"> ■ Refill the paper in the paper tray, and then press OK on the Touchscreen. ■ Remove the paper and load it again, and then press OK on the Touchscreen. (See <i>Loading paper and other print media</i> on page 13.)
	The paper is jammed in the machine.	Remove the jammed paper by following the steps in <i>Printer jam or paper jam</i> on page 95. If this error occurs often during 2-sided copying or 2-sided printing, the paper feed rollers may be stained with ink. Clean the paper feed rollers. (See Advanced User's Guide: <i>Cleaning the paper feed rollers.</i>)
	Paper dust has accumulated on the surface of the paper pick-up rollers.	Clean the paper pick-up rollers. (See Advanced User's Guide: <i>Cleaning the paper pick-up rollers.</i>)
	The Jam Clear Cover is not closed correctly.	Make sure the Jam Clear Cover is closed evenly at both ends. (See <i>Printer jam or paper jam</i> on page 95.)
	The paper was not inserted in the center position of the manual feed slot.	Remove the paper and re-insert it in the center of the manual feed slot, and then press OK on the Touchscreen. (See <i>Loading paper in the manual feed slot</i> on page 22.)
	No Response/Busy	The number you dialed does not answer or is busy.
Not Registered	You tried to access a Speed Dial number that has not been stored in the machine.	Set up the Speed Dial number. (See <i>Storing Speed Dial numbers</i> on page 56.)
Out of Fax Memory	The fax memory is full.	Do one of the following: <ul style="list-style-type: none"> ■ Clear the data in the memory. To gain extra memory, you can turn off Memory Receive. (See Advanced User's Guide: <i>Turning off Memory Receive operations.</i>) ■ Print the faxes that are in the memory. (See Advanced User's Guide: <i>Printing a fax from the memory.</i>)

Error Message	Cause	Action
Out of Memory	The machine's memory is full.	<p>If a copy operation is in process:</p> <p>Press  and wait until the other operations in progress finish, and then try again.</p>
	The memory card or USB Flash memory drive you are using does not have enough free space to scan the document.	<p>Press .</p> <p>Delete unused files from your memory card or USB Flash memory drive to make some free space and then try again.</p>
Paper Jam [Front]	The paper is jammed in the machine.	<p>Remove the jammed paper by following the steps in <i>Paper is jammed in the front of the machine</i> on page 95.</p> <p>Make sure the paper guides are set to the correct paper size.</p>
PaperJam Front,Rear	The paper is jammed in the machine.	<p>Remove the jammed paper by following the steps in <i>Paper is jammed in the front and back of the machine</i> on page 97.</p> <p>Make sure the paper guides are set to the correct paper size.</p>
	<p>More than one sheet of paper was placed in the manual feed slot.</p> <p>—OR—</p> <p>Another sheet of paper was placed in the manual feed slot before the Touchscreen showed</p> <p>Put one piece of paper in Manual Feed Slot, and then press [OK].</p>	<p>Do not put more than one sheet of paper in the manual feed slot at any one time. Wait until the Touchscreen shows</p> <p>Put one piece of paper in Manual Feed Slot, and then press [OK]. before you feed the next sheet of paper in the manual feed slot.</p> <p>Remove the jammed paper by following the steps in <i>Paper is jammed in the front and back of the machine</i> on page 97.</p>
Paper Jam [Rear]	The paper is jammed in the machine.	<p>Remove the jammed paper by following the steps in <i>Paper is jammed in the back of the machine</i> on page 96.</p> <p>Make sure the paper guides are set to the correct paper size.</p>
	Paper dust has accumulated on the surface of the paper pick-up rollers.	<p>Clean the paper pick-up rollers. (See Advanced User's Guide: <i>Cleaning the paper pick-up rollers.</i>)</p>

Error Message	Cause	Action
Paper tray not detected. Please put the paper tray firmly back in the machine.	The paper tray is not completely inserted.	Slowly push the paper tray completely into the machine.
	Paper or a foreign object has prevented the paper tray from being inserted correctly.	Pull the paper tray out of the machine, and remove the jammed paper or foreign object. Slowly push the paper tray completely into the machine.
Screen init. Fail	The Touchscreen was pressed before the power-on initialization was completed.	Make sure that nothing is touching or resting on the Touchscreen.
	Debris may be stuck between the lower part of the Touchscreen and its frame.	Insert a piece of stiff paper between the lower part of the Touchscreen and its frame and slide it back and forth to push out the debris.
Unable to CleanXX Unable to Init.XX Unable to PrintXX Unable to ScanXX	The machine has a mechanical problem. —OR— A foreign object such as a paper clip or a piece of ripped paper is in the machine.	Open the scanner cover and remove any foreign objects and paper scraps from inside the machine. If the error message continues, disconnect the machine from the power for several minutes and reconnect it. (The machine can be turned off for approximately 24 hours without losing faxes stored in the memory. See <i>Transferring your faxes or Fax Journal report</i> on page 92.)
Unusable Device Disconnect device from front connector & turn machine off & then on	A broken device has been connected to the USB direct interface.	Unplug the device from the USB direct interface, then press  to turn the machine off and then on again.
Unusable Device Please Disconnect USB Device.	A USB device or USB Flash memory drive that is not supported has been connected to the USB direct interface. For more information, visit us at http://solutions.brother.com/ .	Unplug the device from the USB direct interface. Turn the machine off and then on again.
Wrong Ink Color	An ink cartridge has been installed in the wrong position.	Identify which ink cartridges are not in their color-coded positions and move them to their correct positions.

Error Message	Cause	Action
<p>(MFC-J4310DW and MFC-J4410DW)</p> <p>Wrong Paper</p> <p>(MFC-J4610DW)</p> <p>Wrong Paper</p> <p>Wrong Paper #1</p> <p>Wrong Paper #2</p>	<p>The paper size setting does not match the size of paper in the tray.</p> <p>The paper orientation is not correct for the paper size.</p> <p>You did not set the paper guides in the tray to the indicators for the paper size you are using.</p>	<p>1 Make sure the paper size you choose matches the size of paper in the tray.</p> <p>(MFC-J4310DW and MFC-J4410DW: See <i>Paper Size</i> on page 27.)</p> <p>(MFC-J4610DW: See <i>Paper Size and Type (MFC-J4610DW)</i> on page 28.)</p> <p>2 Make sure you loaded the paper in the correct orientation by setting the paper guides at the indicators for your paper size. (See <i>Loading paper and other print media</i> on page 13.)</p> <p>3 After you have checked the paper size and the paper orientation, press OK on the Touchscreen.</p>
<p>Wrong Tray Setting</p> <p>(MFC-J4610DW)</p>	<p>The machine's Paper Size and Tray Use settings do not match the size of paper in the tray you are using.</p>	<p>Configure the paper size setting for the tray according to the on-screen instructions.</p>

Error animation

Error animations display step-by-step instructions when paper gets jammed. You can read the steps at your own pace by pressing  to see the next step and  to go back a step.

Transferring your faxes or Fax Journal report

If the Touchscreen shows:





- Unable to CleanXX
- Unable to Init.XX
- Unable to PrintXX
- Unable to ScanXX

We recommend transferring your faxes to another fax machine or to your PC. (See *Transferring faxes to another fax machine* on page 92 or *Transferring faxes to your PC* on page 92.)


You can also transfer the Fax Journal report to see if there are any faxes you need to transfer. (See *Transferring the Fax Journal report to another fax machine* on page 93.)

Transferring faxes to another fax machine

If you have not set up your Station ID, you cannot enter fax transfer mode. (See Quick Setup Guide: *Set your Station ID.*)

- 1 Press  to interrupt the error.
- 2 Press  (Settings).
- 3 Press  or  on the Touchpanel to display *Service*.
- 4 Press *Service*.
- 5 Press *Data Transfer*.
- 6 Press *Fax Transfer*.



- 7 Do one of the following:
 - If the Touchscreen shows *No Data*, there are no faxes left in the machine's memory.

Press .
 - Enter the fax number to which faxes will be forwarded.

- 8 Press *Fax Start*.





Transferring faxes to your PC

You can transfer the faxes from your machine's memory to your PC.

- 1 Press  to interrupt the error.
- 2 Make sure you have installed **MFL-Pro Suite** on your PC, and then turn on **PC-FAX Receiving** on the PC. (See *Software User's Guide: PC-FAX receiving.*)
- 3 Make sure you have set *PC-Fax Receive* on the machine. (See *Advanced User's Guide: PC-Fax Receive (Windows® only).*)
If faxes are in the machine's memory when you set up *PC-Fax Receive*, the Touchscreen will ask if you want to transfer the faxes to your PC.
- 4 Do one of the following:
 - To transfer all faxes to your PC, press *Yes*. You will be asked if you want to also turn on the backup print option.
 - To exit and leave the faxes in the memory, press *No*.
- 5 Press .

Transferring the Fax Journal report to another fax machine

If you have not set up your Station ID, you cannot enter fax transfer mode. (See Quick Setup Guide: *Set your Station ID.*)

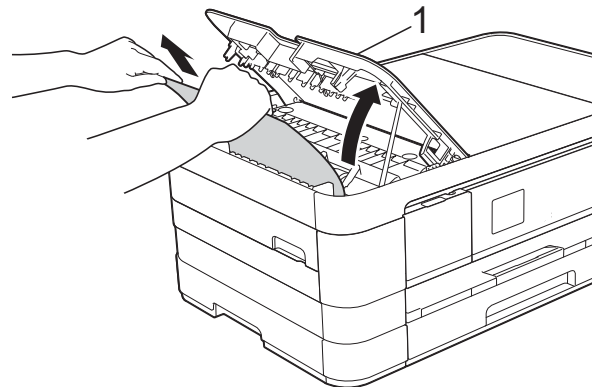
- 1 Press  to interrupt the error.
- 2 Press  (Settings).
- 3 Press  or  on the Touchpanel to display *Service*.
- 4 Press *Service*.
- 5 Press *Data Transfer*.
- 6 Press *Report Trans.*
- 7 Enter the fax number to which the Fax Journal report will be forwarded.
- 8 Press *Fax Start*.

Document jam (MFC-J4410DW and MFC-J4610DW)


Documents can jam in the ADF unit if they are not inserted or fed correctly, or if they are too long. Follow the steps below to clear a document jam.

Document is jammed in the top of the ADF unit

- 1 Take out any paper from the ADF that is not jammed.
- 2 Open the ADF cover.
- 3 Remove the jammed document by pulling it upward.



1 ADF cover

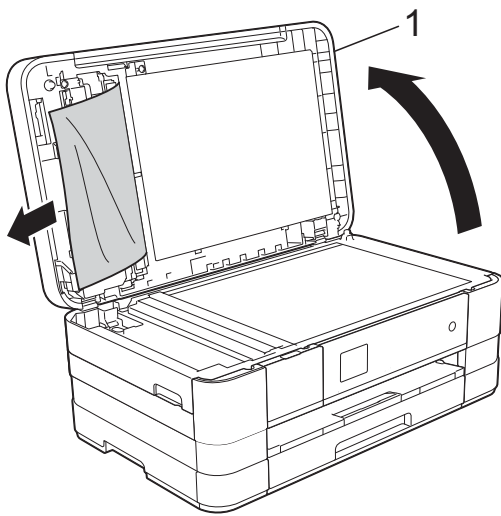
- 4 Close the ADF cover.
- 5 Press .

IMPORTANT


To avoid future document jams, close the ADF cover correctly by pressing it down in the center.

Document is jammed inside the ADF unit

- 1 Take any paper that is not jammed out of the ADF.
- 2 Lift the document cover.
- 3 Pull the jammed document out to the left.

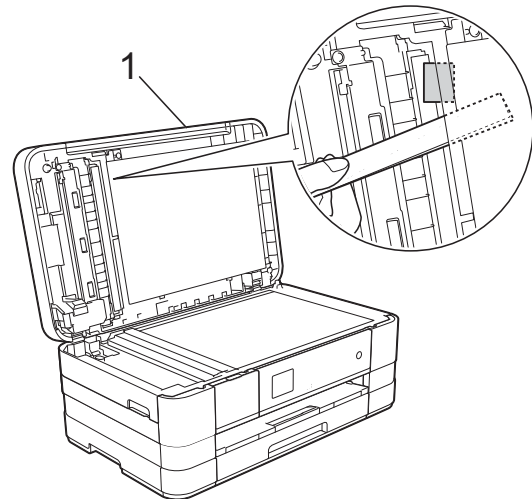


1 document cover


- 4 Close the document cover.
- 5 Press .

Removing small documents jammed in the ADF

- 1 Lift the document cover.
- 2 Insert a piece of stiff paper, such as cardstock, into the ADF to push any small paper scraps through.



1 document cover

- 3 Close the document cover.
- 4 Press .

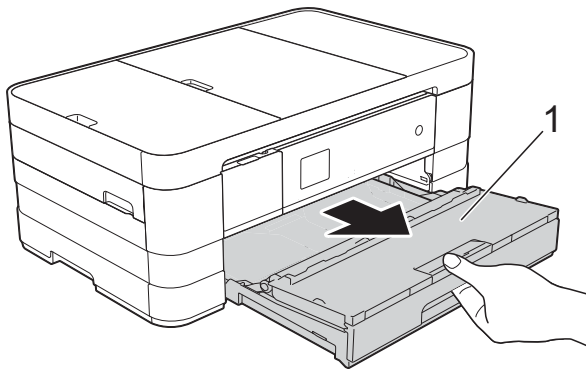
Printer jam or paper jam

Take out the jammed paper depending on where it is jammed in the machine.

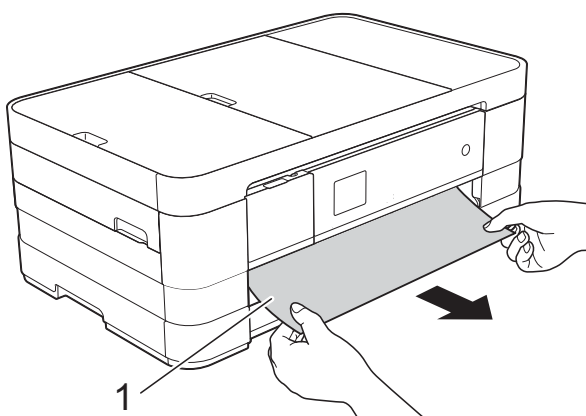
Paper is jammed in the front of the machine

If the Touchscreen shows Paper Jam [Front], follow these steps:

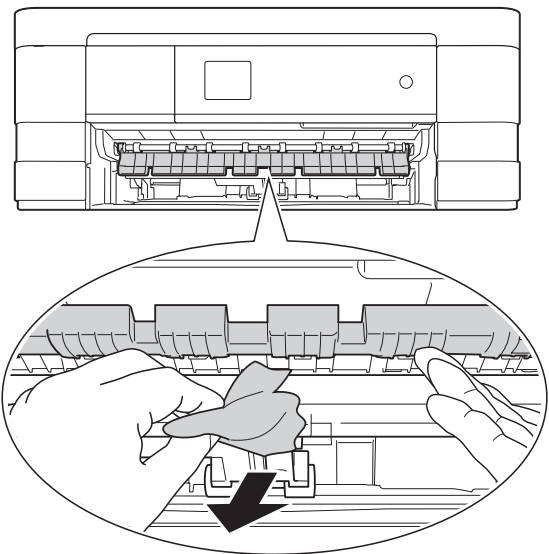
- 1 Unplug the machine from the AC power outlet.
- 2 Pull the paper tray (1) completely out of the machine.



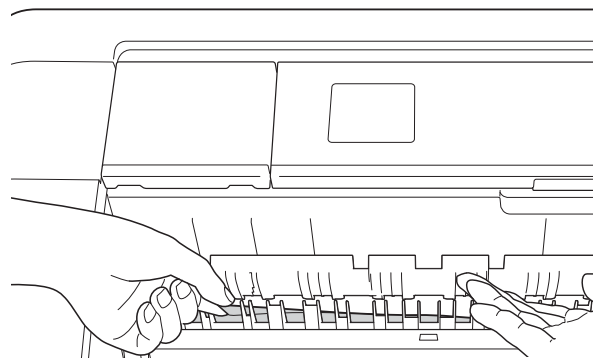
- 3 Pull out the jammed paper (1).



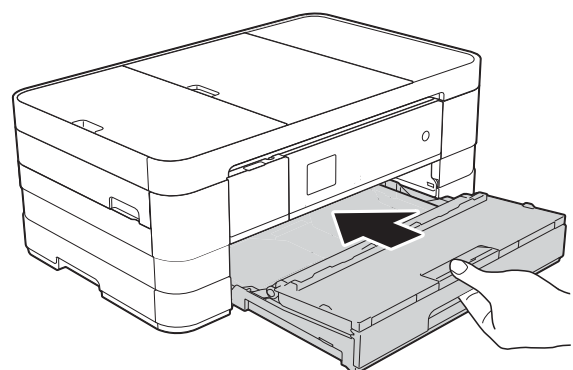
- 4 Lift the Jam Clear Flap, and then remove the jammed paper.



- 5 Make sure you look carefully inside the machine above and below the Jam Clear Flap for any pieces of paper.



- 6 Put the paper tray firmly back in the machine.



NOTE

Make sure you pull out the paper support until it clicks.

- 7 Re-connect the power cord.

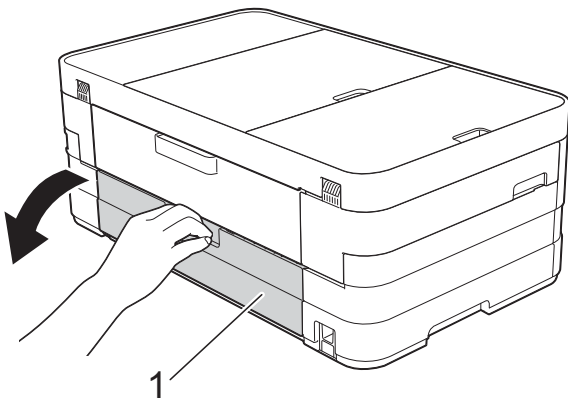
NOTE

If there is a repeat paper jam, a small piece of paper may be stuck in the machine. (See *Additional paper jam clear operations* on page 100.)

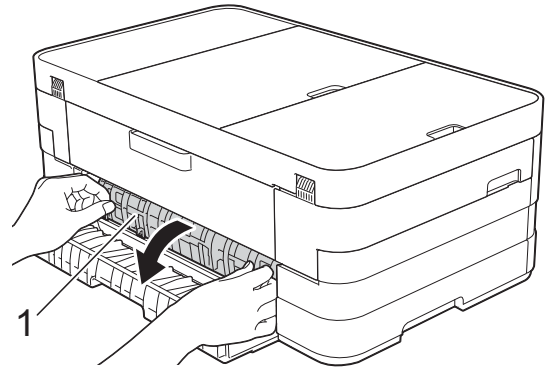
Paper is jammed in the back of the machine

If the Touchscreen shows *Paper Jam [Rear]*, follow these steps:

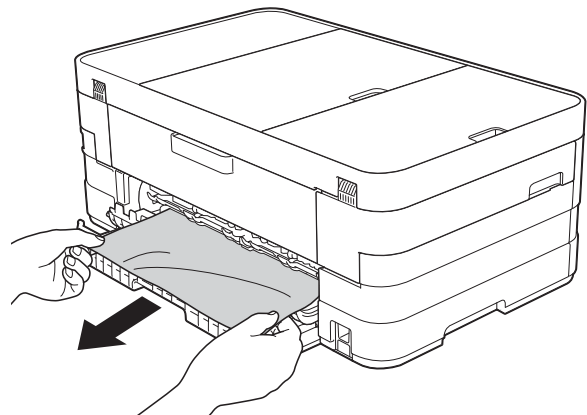
- 1 Unplug the machine from the AC power outlet.
- 2 Open the Jam Clear Cover (1) at the back of the machine.



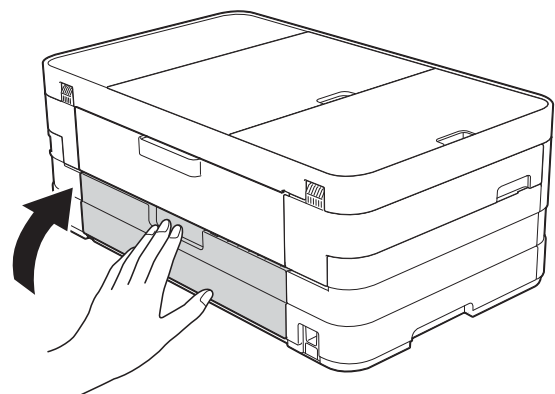
- 3 Open the inside cover (1).



- 4 Use both hands to pull the jammed paper out of the machine.



- 5 Close the inside cover and Jam Clear Cover. Make sure the covers are closed correctly.

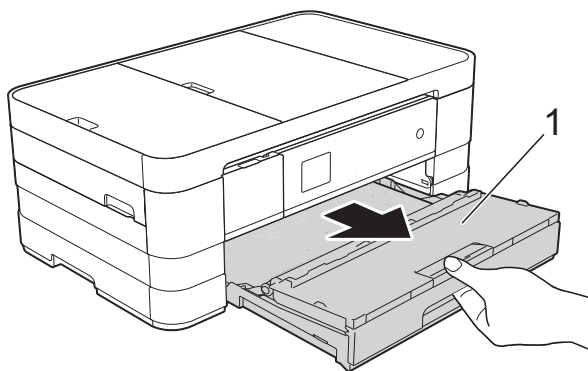


- 6 Re-connect the power cord.

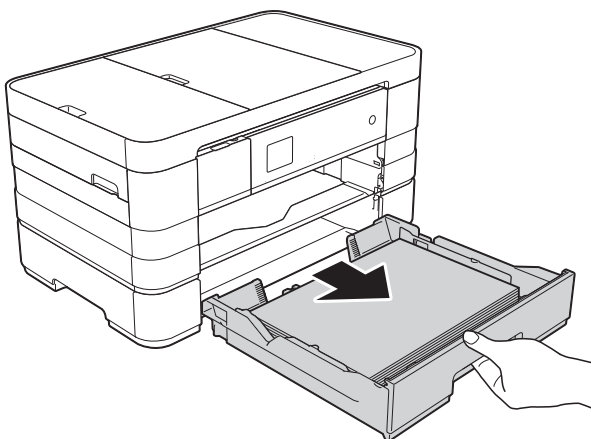
Paper is jammed in the front and back of the machine

If the Touchscreen shows PaperJam Front, Rear, follow these steps:

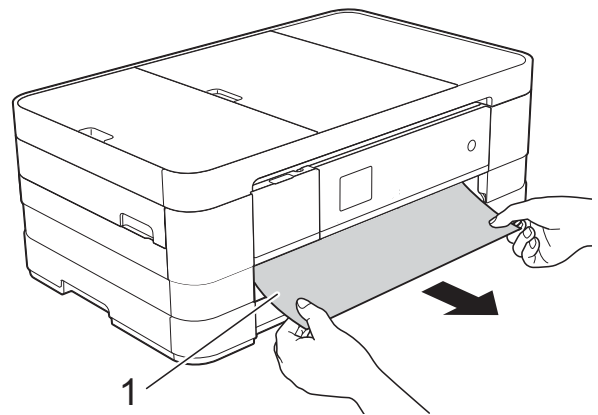
- 1 Unplug the machine from the AC power outlet.
- 2 (MFC-J4310DW and MFC-J4410DW) Pull the paper tray (1) completely out of the machine.



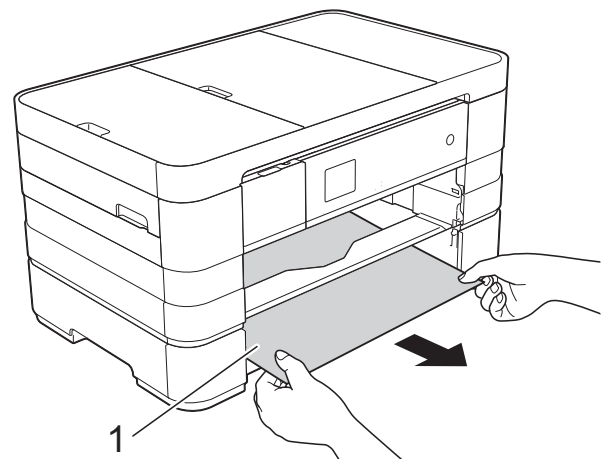
(MFC-J4610DW)
Pull paper tray #1 and then tray #2 completely out of the machine.



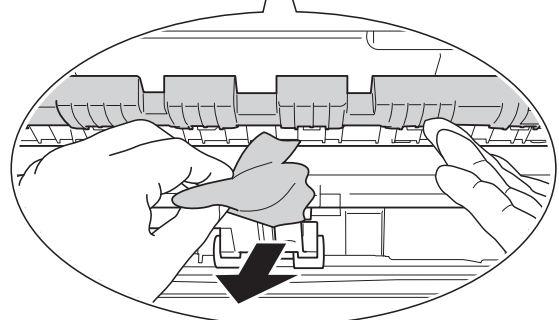
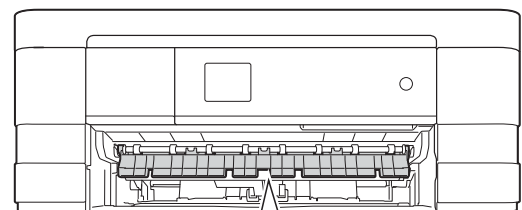
- 3 Pull out the jammed paper (1). (MFC-J4310DW and MFC-J4410DW)



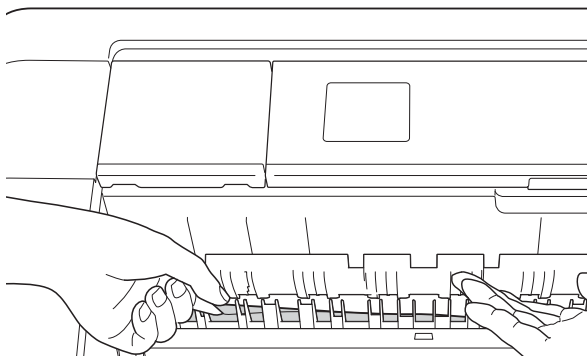
(MFC-J4610DW)



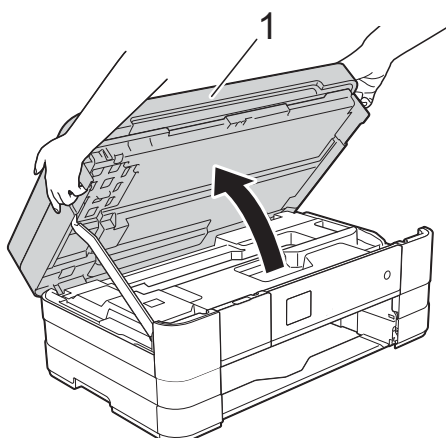
- 4 Lift the Jam Clear Flap, and then remove the jammed paper.



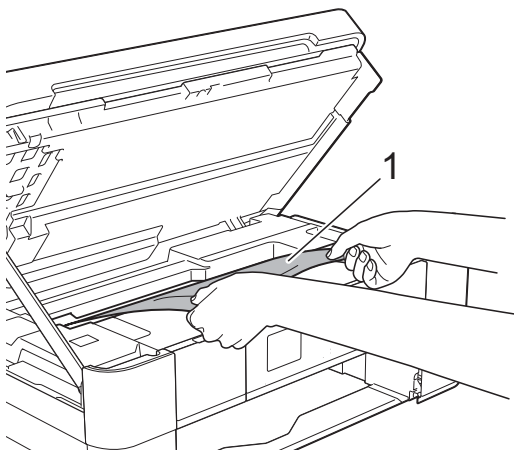
- 5 Make sure you look carefully inside the machine above and below the Jam Clear Flap for any pieces of paper.



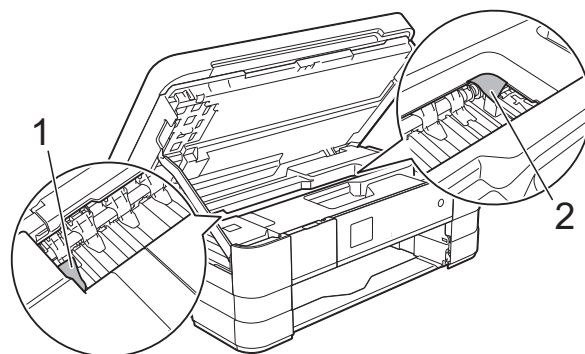
- 6 Using both hands, use the finger holds on each side of the machine to lift the scanner cover (1) into the open position.




- 7 Slowly pull the jammed paper (1) out of the machine.

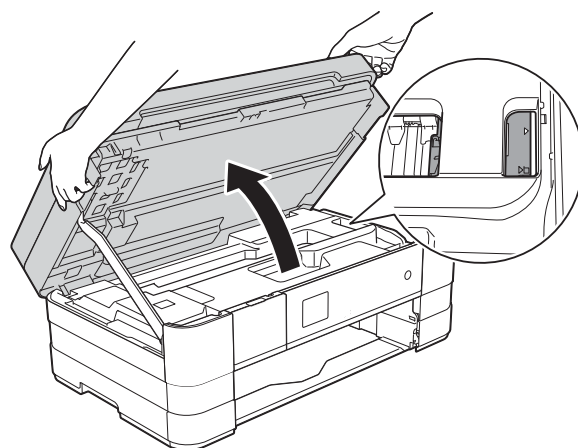


- 8 Move the print head (if necessary) to take out any paper remaining in this area. Make sure that jammed paper is not left in the corners of the machine (1) and (2).



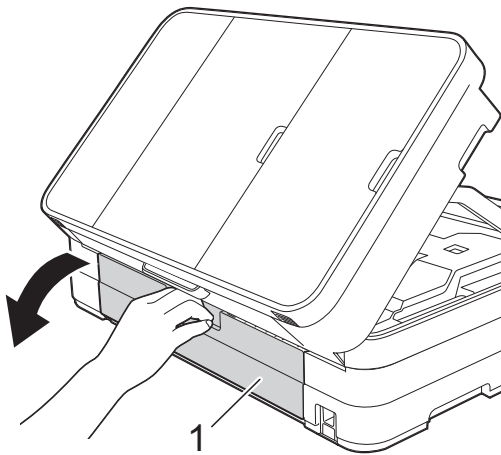
IMPORTANT

- If the paper is jammed under the print head, unplug the machine from the power source, move the print head so it does not touch the paper, and then pull out the paper.
- If the print head is in the right corner as shown in the illustration, you cannot move the print head. Re-connect the power cord. Hold down  until the print head moves to the center. Then unplug the machine from the power source and take out the paper.

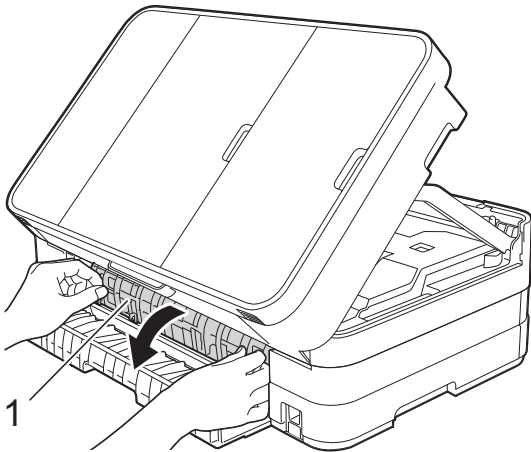


- If ink gets on your skin or clothing immediately wash it off with soap or detergent.

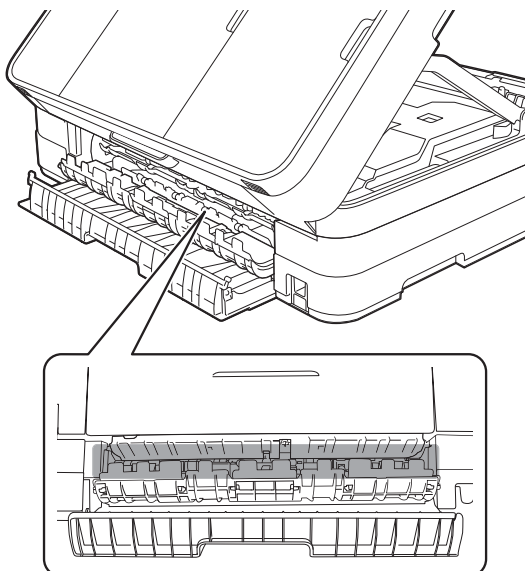
- 9 Open the Jam Clear Cover (1) at the back of the machine.



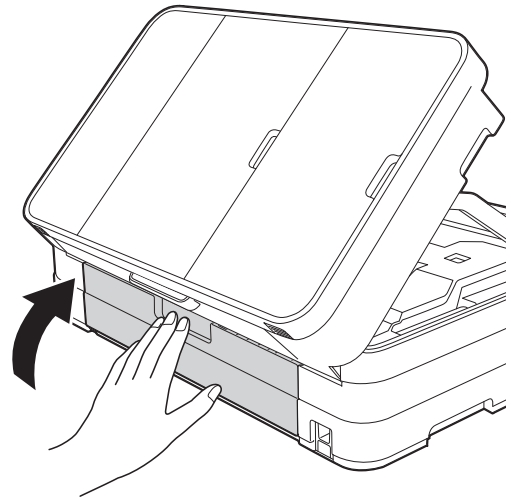
- 10 Open the inside cover (1).



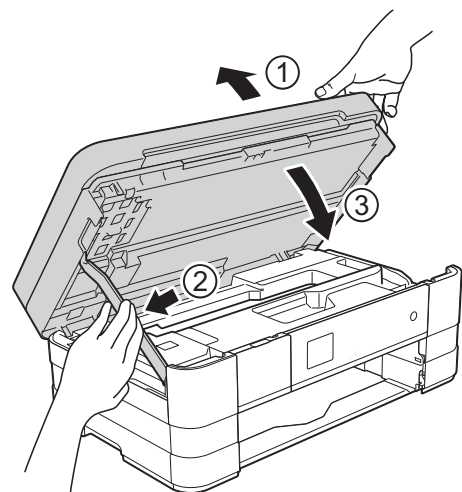
- 11 Make sure you look carefully inside for any jammed paper. If there is any jammed paper, slowly pull it out of the machine.



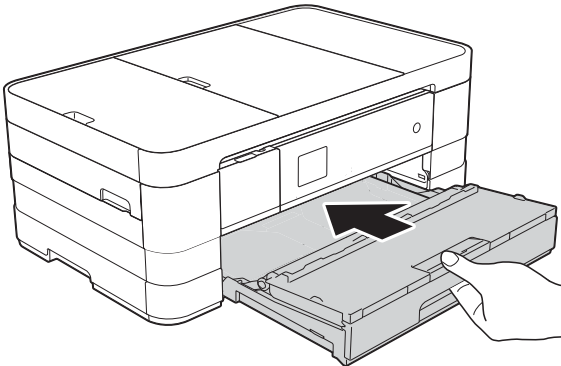
- 12 Close the inside cover and Jam Clear Cover. Make sure the covers are closed correctly.



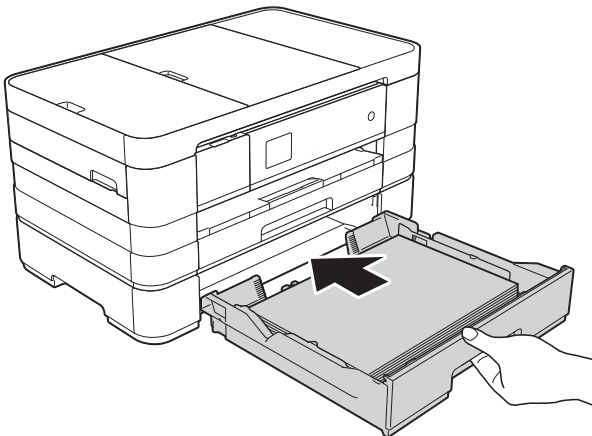
- 13 Lift the scanner cover (1) to release the lock. Gently push the scanner cover support down (2) and close the scanner cover (3) using both hands.



- 14** (MFC-J4310DW and MFC-J4410DW)
Put the paper tray firmly back in the machine.



(MFC-J4610DW)
Put paper tray #1 and then tray #2 firmly back in the machine.



NOTE

Make sure you pull out the paper support until it clicks.

- 15** Re-connect the power cord.


NOTE

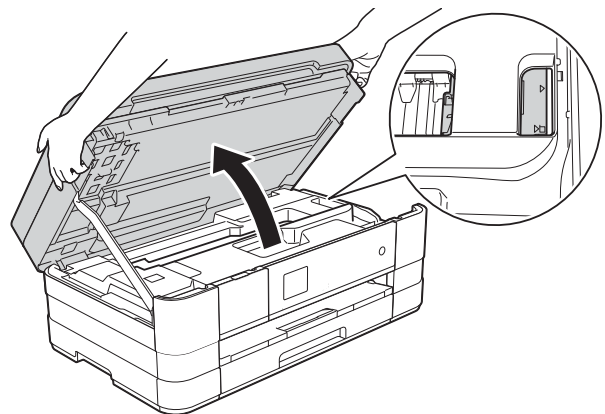
If there is a repeat paper jam, a small piece of paper may be stuck in the machine. (See *Additional paper jam clear operations* on page 100.)

Additional paper jam clear operations

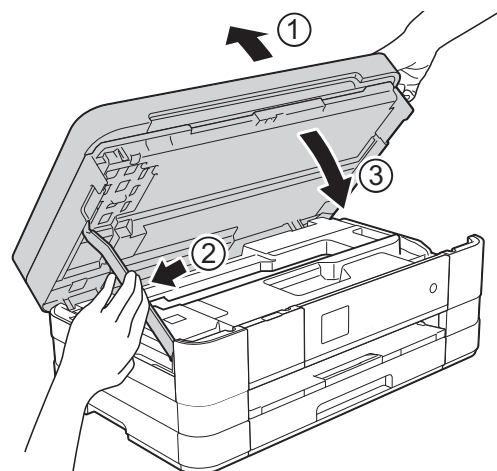
- 1** Place your hands in the finger holds on each side of the machine to lift the scanner cover into the open position.

NOTE

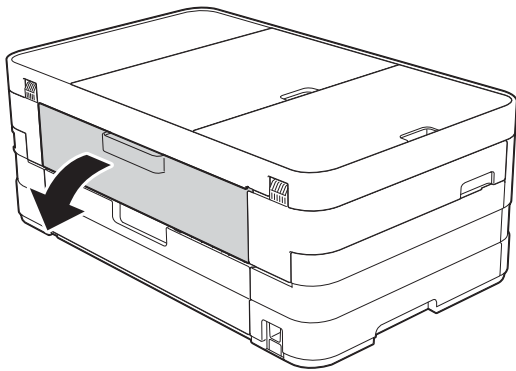
If the print head is at the right corner as shown in the illustration, hold down  until the print head moves to the middle.



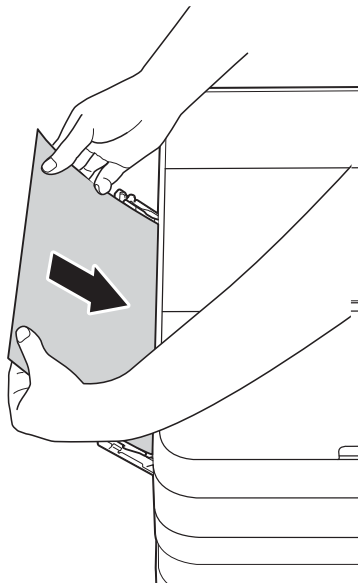
- 2** Unplug the machine from the AC power outlet.
- 3** Lift the scanner cover (1) to release the lock. Gently push the scanner cover support down (2) and close the scanner cover (3) using both hands.



- 4 Open the manual feed slot cover.



- 5 Put only one sheet of Letter or A4 size thick paper such as glossy paper in a Landscape position in the manual feed slot. Push it into the manual feed slot.



- 7 Place your hands in the finger holds on each side of the machine to lift the scanner cover into the open position.

Make sure that a piece of paper is not still jammed inside the machine.

Lift the scanner cover to release the lock. Gently push the scanner cover support down and close the scanner cover using both hands.

NOTE

- We recommend you use glossy paper.
- If you do not push the paper deep into the manual feed slot, the machine will not feed it when you re-connect the power cord.

- 6 Re-connect the power cord.
The paper you placed in the manual feed slot will be fed through the machine and ejected.

If you are having difficulty with your machine





IMPORTANT

- For technical help, you must call the country where you bought the machine. Calls must be made from within that country.
- If you think there is a problem with your machine, check the following chart and follow the troubleshooting tips. You can correct most problems by yourself.
- If you need additional help, the Brother Solutions Center offers the latest FAQs and troubleshooting tips.

Visit us at <http://solutions.brother.com/>.

Using non-Brother supplies may affect the print quality, hardware performance, and machine reliability.

Printing Difficulties

Difficulty	Suggestions
<p>No printout.</p>	<p>Check that the correct printer driver has been installed and chosen.</p> <p>Check to see if the Touchscreen is showing an error message. (See <i>Error and Maintenance messages</i> on page 83.)</p> <p>Make sure that the machine is online. (Windows® 7) Click /Devices and Printers. Right-click Brother MFC-XXXXX (where XXXXX is your model name) and choose See what's printing. Click Printer and make sure that Use Printer Offline is unchecked. (Windows Vista®) Click /Control Panel/Hardware and Sound/Printers. Right-click Brother MFC-XXXXX (where XXXXX is your model name). If the printer is offline, it will show Use Printer Online. Select this option to enable the printer. (Windows® XP) Click Start/Control Panel/Printers and Other Hardware/Printers and Faxes. Right-click Brother MFC-XXXXX (where XXXXX is your model name). If the printer is offline, it will show Use Printer Online. Select this option to enable the printer.</p> <p>One or more ink cartridges have reached the end of their life. (See <i>Replacing the ink cartridges</i> on page 74.)</p> <p>If old, unprinted data remains in the printer driver spooler, it will prevent new print jobs from printing. Open the printer icon and delete all data as follows: (Windows® 7) Click /Devices and Printers/Printers and Faxes. (Windows Vista®) Click /Control Panel/Hardware and Sound/Printers. (Windows® XP) Click Start/Control Panel/Printers and Other Hardware/Printers and Faxes. (Mac OS X v10.7.x) Click System Preferences/Print & Scan. (Mac OS X v10.5.8, 10.6.x) Click System Preferences/Print & Fax.</p>
<p>The headers or footers appear when the document displays on the screen but they do not show up when it is printed.</p>	<p>There is an unprintable area on the top and bottom of the page. Adjust the top and bottom margins in your document to allow for this. (See <i>Unprintable area</i> on page 26.)</p>
<p>Cannot perform "Page Layout" printing.</p>	<p>Check that the paper size setting in the application and in the printer driver are the same.</p>

B







Printing Difficulties (continued)

Difficulty	Suggestions
Print speed is too slow.	Try changing the printer driver setting. The highest resolution needs longer data processing, sending and printing time. Try the other quality settings in the printer driver Advanced tab (Windows®) or Color Settings (Macintosh). Click Color Settings (Windows®) or Advanced Color Settings (Macintosh) and make sure you uncheck Color Enhancement (True2Life) .
	Turn the Borderless feature off. Borderless printing is slower than normal printing. (See Software User's Guide: <i>Printing</i> (Windows®).) (See Software User's Guide: <i>Printing and Faxing</i> (Macintosh).)
True2Life™ is not working correctly.	If the image data is not full color in your application (such as 256 color), True2Life™ will not work. Use at least 24 bit color data with the True2Life™ feature.
Machine does not print from Adobe® Illustrator®.	Try to reduce the print resolution. (See Software User's Guide: <i>Printing</i> (Windows®).) (See Software User's Guide: <i>Printing and Faxing</i> (Macintosh).)

Print Quality Difficulties

Difficulty	Suggestions
Poor print quality.	Check the print quality. (See <i>Checking the print quality</i> on page 78.)
	Make sure that the Media Type setting in the printer driver or the Paper Type setting in the machine's menu matches the type of paper you are using. (See <i>Paper Type</i> on page 27.) (See Software User's Guide: <i>Printing</i> (Windows®).) (See Software User's Guide: <i>Printing and Faxing</i> (Macintosh).)
	Make sure that your ink cartridges are fresh. The following may cause ink to clog: <ul style="list-style-type: none"> ■ The expiration date written on the cartridge package has passed. (Genuine Brother Innobella™ ink cartridges stay usable for up to two years if kept in their original packaging.) ■ The ink cartridge has been in your machine for over six months. ■ The ink cartridge may not have been stored correctly before use.
	Make sure you are using Genuine Brother Innobella™ Ink. Using non-Brother supplies may affect the print quality, hardware performance, and machine reliability.
	Make sure you are using one of the recommended types of paper. (See <i>Acceptable paper and other print media</i> on page 29.)
	The recommended environment for your machine is between 68 °F to 91 °F (20 °C to 33 °C).

Print Quality Difficulties (continued)

Difficulty	Suggestions
<p>White horizontal lines appear in text or graphics.</p>  <p>Letter, A4 and Executive</p>  <p>Ledger, A3, Legal, A5, A6, envelopes, Photo (4 × 6 in.), Photo L (3.5 × 5 in.), Photo 2L (5 × 7 in.) and Index Card (5 × 8 in.)</p>	<p>Clean the print head. (See <i>Cleaning the print head</i> on page 78.)</p> <p>Make sure you are using Genuine Brother Innobella™ Ink.</p> <p>Try using the recommended types of paper. (See <i>Acceptable paper and other print media</i> on page 29.)</p> <p>To prolong print head life, provide the best ink cartridge economy and maintain print quality, we do not recommend frequently unplugging the machine or leaving the machine unplugged for extended periods of time. We recommend using  to power down the machine. Using  allows minimal power to the machine ensuring periodic cleanings of the print head occur.</p>
<p>The machine prints blank pages.</p>	<p>Clean the print head. (See <i>Cleaning the print head</i> on page 78.)</p> <p>Make sure you are using Genuine Brother Innobella™ Ink.</p> <p>To prolong print head life, provide the best ink cartridge economy and maintain print quality, we do not recommend frequently unplugging the machine or leaving the machine unplugged for extended periods of time. We recommend using  to power down the machine. Using  allows minimal power to the machine ensuring periodic cleanings of the print head occur.</p>
<p>Characters and lines are blurred.</p>	<p>Check the printing alignment. (See <i>Checking the print alignment</i> on page 80.)</p>
<p>Printed text or images are skewed.</p>	<p>Make sure the paper is loaded correctly in the paper tray and the paper guides are adjusted correctly. (See <i>Loading paper and other print media</i> on page 13.)</p> <p>Make sure the Jam Clear Cover is closed correctly.</p>
<p>Smudge or stain at the top center of the printed page.</p>	<p>Make sure the paper is not too thick or curled. (See <i>Acceptable paper and other print media</i> on page 29.)</p>
<p>Print appears dirty or ink seems to run.</p>	<p>Make sure you are using the recommended types of paper. (See <i>Acceptable paper and other print media</i> on page 29.) Do not handle the paper until the ink is dry.</p> <p>Make sure you are using Genuine Brother Innobella™ Ink.</p> <p>If you are using photo paper, make sure that you have set the correct paper type. If you are printing a photo from your PC, set the Media Type in the printer driver.</p>

B

Print Quality Difficulties (continued)

Difficulty	Suggestions
Ink is smudged or running when using glossy photo paper.	Be sure to check the front and back of the paper. Place the glossy surface (printing surface) face down. (See <i>Paper Type</i> on page 27.)
	If you use glossy photo paper, make sure that the paper type setting is correct.
Printouts appears dirty or the paper jams when using Ledger paper.	(PC print for Windows®) Check Slow Drying Paper in the Basic tab of the printer driver.
	(PC print for Macintosh) Select Print Settings from drop-down list and then check Slow Drying Paper of the printer driver.
	(Copy) Adjust the copy density to make copies lighter. (See Advanced User's Guide: <i>Adjusting Density</i> .)
Stains appear on the reverse side or at the bottom of the page.	Make sure the printer platen is not dirty with ink. (See Advanced User's Guide: <i>Cleaning the machine's printer platen</i> .)
	Make sure you are using Genuine Brother Innobella™ Ink.
	Make sure you are using the paper support flap. (See <i>Loading paper and other print media</i> on page 13.)
	Make sure the paper feed rollers are not dirty with ink. (See Advanced User's Guide: <i>Cleaning the paper feed rollers</i> .)
The machine prints dense lines on the page.	(Windows® only) Check Reverse Order in the Basic tab of the printer driver.
The printouts are wrinkled.	(Windows®) In the printer driver Advanced tab, click Color Settings , and uncheck Bi-Directional Printing .
	(Macintosh) In the printer driver, choose Print Settings , click Advanced , choose Other Print Options , and uncheck Bi-Directional Printing .
	Make sure you are using Genuine Brother Innobella™ Ink.

Paper Handling Difficulties

Difficulties	Suggestions
The machine does not feed paper.	Make sure the Jam Clear Cover at the back of the machine is closed.
	If the Touchscreen shows the Paper Jam message and you still have a problem, see <i>Error and Maintenance messages</i> on page 83.
	If there is no paper, load a new stack of paper into the paper tray.
	If there is paper in the paper tray, make sure it is straight. If the paper is curled, you should straighten it. Sometimes it is helpful to remove the paper, turn the stack over and put it back into the paper tray.
	Reduce the amount of paper in the paper tray, and then try again.
	Clean the paper pick-up rollers. (See <i>Advanced User's Guide: Cleaning the paper pick-up rollers.</i>)
Photo paper does not feed correctly.	When you print on Brother Photo paper, load one extra sheet of the same photo paper in the paper tray. An extra sheet has been included in the paper package for this purpose.
Machine feeds multiple pages.	Do the following: (See <i>Loading paper and other print media</i> on page 13.)
	<ul style="list-style-type: none"> ■ Make sure the paper is loaded correctly in the paper tray. ■ Remove all the paper from the tray and fan the stack of paper well, then put it back in the tray. ■ Make sure you do not push the paper in too far.
	Make sure the Jam Clear Cover is closed correctly. (See <i>Paper is jammed in the back of the machine</i> on page 96.)
	Make sure the Base Pad in the paper tray is not dirty. (See <i>Advanced User's Guide: Cleaning the paper pick-up rollers.</i>)
There is a paper jam.	See <i>Printer jam or paper jam</i> on page 95. Make sure the paper guides are set to the correct paper size.
Paper jam reoccurs.	If there is a repeat paper jam, a small piece of paper may be stuck in the machine. Make sure paper is not still jammed in the machine. (See <i>Additional paper jam clear operations</i> on page 100.)
The paper jams when you use 2-sided copy or 2-sided print.	Use one of the jam prevention settings, 2-sided1 or 2-sided2.
	For copying (See <i>Advanced User's Guide: 2-sided copying.</i>)
	For printing (See <i>Software User's Guide: 2-sided / Booklet (Windows®).</i>) (See <i>Software User's Guide: 2-sided Printing (Macintosh).</i>)
	If paper jams occur often during 2-sided copying or 2-sided printing, the paper feed rollers may be stained with ink. Clean the paper feed rollers. (See <i>Advanced User's Guide: Cleaning the paper feed rollers.</i>)

Printing Received Faxes

Difficulty	Suggestions
<ul style="list-style-type: none"> ■ Condensed print ■ Horizontal streaks ■ Top and bottom sentences are cut off ■ Missing lines 	Usually this is caused by a poor telephone connection. Make a copy; if your copy looks good, you probably had a bad connection, with static or interference on the telephone line. Ask the other party to send the fax again.
Vertical black lines when receiving.	The sender's scanner may be dirty. Ask the sender to make a copy to see if the problem is with the sending machine. Try receiving from another fax machine.
Left and right margins are cut off or a single page is printed on two pages.	If the received faxes are divided and printed on two pages or if you get an extra blank page, your paper size setting may not be correct for the paper you are using. (MFC-J4310DW and MFC-J4410DW: See <i>Paper Size</i> on page 27.) (MFC-J4610DW: See <i>Paper Size and Type (MFC-J4610DW)</i> on page 28.)
	Turn on Auto Reduction. (See <i>Advanced User's Guide: Printing a reduced incoming fax.</i>)
Received color fax prints only in black & white.	Replace the color ink cartridges that have reached the end of their life, and then ask the other person to send the color fax again. (See <i>Replacing the ink cartridges</i> on page 74.)

Telephone Line or Connections

Difficulty	Suggestions
Dialing does not work. (No dial tone)	Check all line cord connections. Make sure the telephone line cord is plugged into the telephone wall jack and the LINE jack inside the machine.
	(Canada only) Change the Tone/Pulse setting. (See <i>Quick Setup Guide.</i>)
	Send a manual fax by pressing Hook and dialing the number. Wait to hear fax receiving tones before pressing Fax Start .
	If there is no dial tone, connect a known working telephone and telephone line cord to the jack. Then lift the external telephone's handset and listen for a dial tone. If there is still no dial tone, ask your telephone company to check the line and wall jack.
The machine does not answer when called.	Make sure the machine is in the correct Receive Mode for your setup. (See <i>Choose the correct Receive Mode</i> on page 41.) Check for a dial tone. If possible, call your machine to hear it answer. If there is still no answer, make sure the telephone line cord is plugged into the telephone wall jack and the LINE jack inside the machine. If there is no ringing when you call your machine, ask your telephone company to check the line.

Receiving Faxes

Difficulty	Suggestions
<p>Cannot receive a fax.</p>	<p>Make sure your machine has a dial tone by pressing Hook in Fax mode. If you hear static or interference on your fax line, contact your local telephone provider.</p> <p>Check all line cord connections. Make sure the telephone line cord is plugged into the telephone wall jack and the LINE jack inside the machine. If you subscribe to DSL, VoIP or MagicJack services, contact your service provider for connection instructions. To lower the modem speed and turn off ECM (error correction mode), see <i>Telephone line interference / VoIP</i> on page 115.</p> <p>Make sure the machine is in the correct Receive Mode. This is determined by the external devices and telephone subscriber services you have on the same line as the Brother machine. (See <i>Choose the correct Receive Mode</i> on page 41.)</p> <p>If you have a dedicated fax line and want your Brother machine to automatically answer all incoming faxes, you should select Fax Only mode.</p> <p>If your Brother machine shares a line with an external answering machine, you should select External TAD mode. In External TAD mode, your Brother machine will automatically receive incoming faxes and voice callers will be able to leave a message on your answering machine.</p> <p>If your Brother machine shares the line with a Voice Mail subscriber service, see <i>Voice Mail</i> on page 46.</p> <p>If your Brother machine is on a line with the Distinctive Ring subscriber service, see <i>Distinctive Ring</i> on page 47.</p> <p>If your Brother machine shares a line with other telephones and you want it to automatically answer all incoming faxes, you should select Fax/Tel mode. In Fax/Tel mode, your Brother machine will automatically receive faxes and produce a pseudo/double-ring to alert you to answer voice calls.</p> <p>If you do not want your Brother machine to automatically answer any incoming faxes, you should select Manual mode. In Manual mode, you must answer every incoming call and activate the machine to receive faxes.</p> <p>Another device or service at your location may be answering the call before your Brother machine answers. To test this, lower the Ring Delay setting:</p> <ul style="list-style-type: none"> ■ If the Receive Mode is set to Fax Only or Fax/Tel, reduce the Ring Delay to 1 ring. (See <i>Ring Delay</i> on page 44.) ■ If the Receive Mode is set to External TAD, reduce the number of rings programmed on your answering machine to 2. ■ If the Receive Mode is set to Manual, DO NOT adjust the Ring Delay setting. <p>Have someone send you a test fax:</p> <ul style="list-style-type: none"> ■ If you received the test fax, your machine is operating correctly. Remember to reset your Ring Delay or answering machine setting back to your original setting. If receiving problems recur after resetting the Ring Delay, then a person, device, or subscriber service is answering the fax call before the machine has a chance to answer. ■ If you were not able to receive the fax, then another device or subscriber service may be interfering with your fax reception or there may be a problem with your fax line.



Receiving Faxes (continued)

Difficulty	Suggestions
Cannot receive a fax. (continued)	<p>If you are using a telephone answering machine (External TAD mode) on the same line as the Brother machine, make sure your answering machine is set up correctly. (See <i>Connecting an external TAD (telephone answering device)</i> on page 50.)</p> <ol style="list-style-type: none"> 1 Plug the telephone line cord directly from the wall telephone jack into the LINE jack inside the machine. 2 Remove the protective cap from your Brother machine's EXT. jack, and then plug the telephone line cord from your answering machine into the EXT. jack. 3 Set your answering machine to answer within 4 rings. If you are having problems receiving faxes or voice messages, set your answering machine to answer within 2 or 3 rings. 4 Record the outgoing message on your answering machine. <ul style="list-style-type: none"> ■ Record five seconds of silence at the beginning of your outgoing message. ■ Limit your speaking to 20 seconds. ■ End your outgoing message with your Fax Receive Code for people sending manual faxes. For example: "After the beep, leave a message or press * 5 1 and Start to send a fax." 5 Set your answering machine to answer calls. 6 Set your Brother machine's Receive Mode to External TAD. (See <i>Choose the correct Receive Mode</i> on page 41.) <p>Make sure your Brother machine's Easy Receive feature is turned On. Easy Receive is a feature that allows you to receive a fax even if you have answered the call on an external or extension telephone. (See <i>Easy Receive</i> on page 45.)</p> <p>If you often get transmission errors due to possible interference on the telephone line, try changing the Compatibility setting to Basic (for VoIP). (See <i>Telephone line interference / VoIP</i> on page 115.)</p>


Sending Faxes

Difficulty	Suggestions
Cannot send a fax.	Check all line cord connections. Make sure the telephone line cord is plugged into the telephone wall jack and the LINE jack inside the machine.
	Print the Transmission Verification Report and check for an error. (See <i>Advanced User's Guide: Reports</i> .)
	Contact your administrator to check your Secure Function Lock Settings.
	Ask the other party to check that the receiving machine has paper.
Poor fax send quality.	Try changing your resolution to Fine or S.Fine . Make a copy to check your machine's scanner operation. If the copy quality is not good, clean the scanner. (See <i>Cleaning the scanner</i> on page 77.)

Sending Faxes (continued)

Difficulty	Suggestions
Transmission Verification Report says "RESULT:NG".	<p>There is probably temporary noise or static on the line. Try sending the fax again. If you send a PC FAX message and get "RESULT:NG" on the Transmission Verification Report, your machine may be out of memory. To gain extra memory, you can turn off Memory Receive (See <i>Advanced User's Guide: Turning off Memory Receive operations.</i>), print fax messages from the machine's memory (See <i>Advanced User's Guide: Printing a fax from the memory.</i>), or cancel a Delayed Fax or Polling Job. (See <i>Canceling a fax in progress</i> on page 39.) (See <i>Advanced User's Guide: Checking and canceling waiting jobs.</i>) If the problem continues, ask the telephone company to check your telephone line.</p> <p>If you often get transmission errors due to possible interference on the telephone line, try changing the machine's Compatibility setting to <code>Basic</code> (for VoIP). (See <i>Telephone line interference / VoIP</i> on page 115.)</p>
Sent faxes are blank.	Make sure you are loading the document correctly. (See <i>Loading documents</i> on page 34.)
Vertical black lines when sending. (MFC-J4410DW and MFC-J4610DW)	Black vertical lines on faxes you send are typically caused by dirt or correction fluid on the glass strip. Clean the glass strip. (See <i>Cleaning the scanner</i> on page 77.)

Handling Incoming Calls

Difficulty	Suggestions
The machine "hears" a voice as a CNG Tone.	If Easy Receive is set to On, your machine is more sensitive to sounds. It may mistakenly interpret certain voices or music on the line as a fax machine calling and respond with fax receiving tones. Deactivate the machine by pressing  . Try avoiding this problem by turning Easy Receive to Off. (See <i>Easy Receive</i> on page 45.)
Sending a fax call to the machine.	If you answered on an extension telephone, press your Fax Receive Code (the factory setting is * 5 1). If you answered on the external telephone (connected to the EXT. jack), press <code>Fax Start</code> , and then press <code>Receive</code> to receive the fax. When your machine answers, hang up.
Custom features on a single line.	<p>If you have Call Waiting, Call Waiting/Caller ID, RingMaster, Voice Mail, an answering machine, an alarm system or other custom feature on a single telephone line with your machine, it may create a problem sending or receiving faxes.</p> <p>For example: If you subscribe to Call Waiting or another custom service and its signal comes through the line while your machine is sending or receiving a fax, the signal can temporarily interrupt or disrupt the faxes. Brother's ECM (Error Correction Mode) feature should help overcome this problem. This condition is related to the telephone system industry and is common to all devices that send and receive information on a single, shared line with custom features. If avoiding a slight interruption is crucial to your business, a separate telephone line with no custom features is recommended.</p>



Copying Difficulties

Difficulty	Suggestions
Cannot make a copy.	Contact your administrator to check your Secure Function Lock Settings.
Vertical black lines or streaks appear in copies.	Black vertical lines on copies are typically caused by dirt or correction fluid on the glass strip. Clean the glass strip and scanner glass and the white bar and white plastic above them. (See <i>Cleaning the scanner</i> on page 77.)
Copies are blank.	Make sure you are loading the document correctly. (See <i>Loading documents</i> on page 34.)
Poor copy results when using the ADF. (MFC-J4410DW and MFC-J4610DW)	Try using the scanner glass. (See <i>Using the scanner glass</i> on page 35.)
Fit to Page does not work correctly.	Make sure the document is not skewed on the scanner glass. Reposition the document and try again.

Scanning Difficulties

Difficulty	Suggestions
TWAIN or WIA errors appear when starting to scan. (Windows®)	Make sure the Brother TWAIN or WIA driver is chosen as the primary source in your scanning application. For example, in Nuance™ PaperPort™ 12SE, click Scan Settings, Select to choose the Brother TWAIN/WIA driver.
TWAIN or ICA errors appear when starting to scan. (Macintosh)	Make sure the Brother TWAIN driver is chosen as the primary source. In PageManager, click File, Select Source and choose the Brother TWAIN driver. Mac OS X v10.6.x and 10.7.x users can also scan documents using the ICA Scanner Driver. (See <i>Software User's Guide: Scanning a document using the ICA driver (Mac OS X v10.6.x, 10.7.x)</i> .)
OCR does not work.	Try increasing the scanner resolution. (Macintosh) Make sure you have finished downloading and installing Presto! PageManager from: http://nj.newsoft.com.tw/download/brother/PM9SEInstaller_BR_multilang.dmg
Poor scanning results when using the ADF. (MFC-J4410DW and MFC-J4610DW)	Try using the scanner glass. (See <i>Using the scanner glass</i> on page 35.)

PhotoCapture Center™ Difficulties

Difficulty	Suggestions
Removable Disk does not work correctly.	<ol style="list-style-type: none"> 1 Take out the memory card or USB Flash memory drive and put it back in again. 2 If you have tried "Eject" from within Windows®, take out the memory card or USB Flash memory drive before you continue. 3 If an error message appears when you try to eject the memory card or USB Flash memory drive, it means the card is being accessed. Wait a while and then try again. 4 If all of the above do not work, turn off your PC and machine, and then turn them on again.
Cannot access Removable Disk from the computer.	Make sure that you have correctly inserted the memory card or USB Flash memory drive.

PhotoCapture Center™ Difficulties (continued)

Difficulty	Suggestions
Part of my photo is missing when printed.	Make sure that Borderless printing and Cropping are turned off. (See Advanced User's Guide: <i>Borderless printing</i> and <i>Cropping</i> .)

Software Difficulties


Difficulty	Suggestions
Cannot install software or print.	(Windows® only) Run the Repair MFL-Pro Suite program on the CD-ROM. This program will repair and reinstall the software.
"Device Busy"	Make sure the machine is not showing an error message on the Touchscreen.
Cannot print images from FaceFilter Studio. (Windows®)	To use FaceFilter Studio, you must install the FaceFilter Studio application from the CD-ROM supplied with your machine. (See Quick Setup Guide.) Also, before you start FaceFilter Studio for the first time, you must make sure your Brother machine is turned on and connected to your computer. This will allow you to access all the functions of FaceFilter Studio.

Network Difficulties

Difficulty	Suggestions
Cannot print over the network.	Make sure that your machine is powered on and is online and in Ready mode. Print a Network Configuration list (see Advanced User's Guide: <i>Reports</i>) and check the Network settings printed in this list. Reconnect the LAN cable to the hub to verify that the cabling and network connections are good. If possible, try connecting the machine to a different port on your hub using a different cable. If the connections are good, the machine shows LAN Active for 2 seconds. If you are using a wireless connection or are having Network problems, see Network User's Guide: <i>Troubleshooting</i> .
The network scanning feature does not work.	It is necessary to configure the third-party Security/Firewall Software to allow Network scanning. To add port 54925 for Network scanning, enter the information below: In Name: Enter any description, for example Brother NetScan. In Port number: Enter 54925. In Protocol: UDP is selected. See the instruction manual that came with your third-party Security/Firewall Software or contact the software manufacturer. (Macintosh only) Re-select your network machine in the Device Selector window from the Model pop-up menu in the main screen of ControlCenter2.
The network PC-Fax Receive feature does not work.	(Windows® only) It is necessary to set the third-party Security/Firewall Software to allow PC-FAX Rx. To add port 54926 for Network PC-FAX Rx, enter the information below: In Name: Enter any description, for example Brother PC-FAX Rx. In Port number: Enter 54926. In Protocol: UDP is selected. See the instruction manual that came with your third-party Security/Firewall Software or contact the software manufacturer.



Network Difficulties (continued)



Difficulty	Suggestions
The Brother software cannot be installed.	<p>(Windows®)</p> <p>If the Security Software warning appears on the PC screen during the installation, change the Security Software settings to permit the Brother product setup program or other program to run.</p> <p>(Macintosh)</p> <p>If you are using a firewall function of anti-spyware or antivirus security software, temporarily disable it and then install the Brother software.</p>
Cannot connect to wireless network.	<p>Investigate the problem using the WLAN Report.</p> <p>Press  (Settings), and then press ^ or v on the Touchpanel to display Print Reports. Press Print Reports. Press ^ or v to display WLAN Report, and then press WLAN Report. (See Network User's Guide.)</p>

Data entry difficulties

Difficulty	Suggestions
The dial pad does not work when entering numbers or characters.	Use the keyboard on the Touchscreen to enter information.


Dial Tone

Setting the dial tone to Detection will shorten the dial detect pause.


- 1 Press  (Settings).
- 2 Press **▲** or **▼** on the Touchpanel to display Initial Setup.
- 3 Press Initial Setup.
- 4 Press **▲** or **▼** to display Dial Tone.
- 5 Press Dial Tone.
- 6 Press Detection or No Detection.
- 7 Press .

Telephone line interference / VoIP

If you are having problems sending or receiving a fax due to possible interference on the telephone line, we recommend that you change the modem speed to minimize errors in fax operations.

- 1 Press  (Settings).
- 2 Press **▲** or **▼** on the Touchpanel to display Initial Setup.
- 3 Press Initial Setup.
- 4 Press **▲** or **▼** to display Compatibility.
- 5 Press Compatibility.
- 6 Press High, Normal or Basic (for VoIP).
 - Basic (for VoIP) reduces the modem speed to 9,600 bps and turns off color fax receiving and ECM, except for color fax-sending. Unless interference is a recurring problem on your telephone line, you may prefer to use it only when needed.

To improve compatibility with most VoIP services, Brother recommends changing the compatibility setting to Basic (for VoIP).

 - Normal sets the modem speed at 14,400 bps.
 - High increases the modem speed to 33,600 bps. (factory setting)
- 7 Press .



NOTE

VoIP (Voice over IP) is a type of phone system that uses an Internet connection, rather than a traditional phone line.

Machine Information

Checking the serial number

You can see the machine's serial number on the Touchscreen.

- 1 Press  (Settings).
- 2 Press **^** or **v** on the Touchpanel to display `Machine Info`.
- 3 Press `Machine Info`.
- 4 Press `Serial No.`
- 5 Press .

Reset functions

The following reset functions are available:

- 1 `Network`
You can reset the print server back to its factory settings, such as the password and IP address information.
- 2 `Address&Fax`
Address & Fax resets the following settings:
 - Speed Dial
(Speed-Dial and Setup Groups)
 - Programmed fax jobs in the memory
(Polled Transmit, Delayed Fax and Delayed Batch Transmission)
 - Station ID
(Name and Number)
 - Remote Fax Options
(Fax Forwarding and Paging)
 - Report settings
(Transmission Verification Report, Quick Dial List and Fax Journal)

- History
(Caller ID history and Outgoing Call)

- Faxes in memory

3 All Settings

You can restore all settings to their factory settings.

Brother strongly recommends performing this procedure before handing over or disposing of the machine.

NOTE

Unplug the interface cable before you choose `Network` or `All Settings`.

How to reset the machine

- 1 Press  (Settings).
- 2 Press **^** or **v** on the Touchpanel to display `Initial Setup`.
- 3 Press `Initial Setup`.
- 4 Press **^** or **v** to display `Reset`.
- 5 Press `Reset`.
- 6 Press **^** or **v** to display the types of `Reset options` `Network`, `Address&Fax`, and `All Settings`.
- 7 Press the reset option you want to use.
- 8 Press `Yes` to confirm.
- 9 Press `Yes` for 2 seconds to reboot the machine.

Using the Settings Tables

Your machine's Touchscreen LCD is easy to set up and operate. All you have to do is press the settings and options you want to set as they are displayed on the Touchscreen.

We have created step-by-step Settings Tables so you can see at-a-glance all the available choices for each setting and feature. You can use these tables to quickly set up your preferred settings in the machine.

Memory Storage

Even if there is a power failure, you will not lose the options you have chosen in the Settings tables. Temporary settings (such as *Overseas Mode*) will be lost. You may have to reset the time and date.

Settings tables

The Settings tables will help you understand the settings selections and options that are found in the machine's programs. The factory settings are shown in Bold with an asterisk.



(Settings)

Level1	Level2	Level3	Options	Descriptions	Page	
Shortcut Settings 	Copy	—	Quality Paper Type Paper Size Tray Select (MFC-J4610DW) Enlarge/Reduce Density Stack/Sort Page Layout 2-sided Copy Advanced Settings (Options) Off Ink Save Mode Thin Paper Copy Book Copy Remove Background	Lets you quickly and easily recall and apply your previously stored preferred settings.	10	
		Fax	—			Address Fax Resolution Contrast Color Setting Batch TX Real Time TX Overseas Mode Glass Scan Size
			Scan			Scan to Media
	Scan to Network					(Profile Name)
			Scan to FTP			

◆ See Advanced User's Guide.

The factory settings are shown in Bold with an asterisk.

Level1	Level2	Level3	Options	Descriptions	Page
General Setup	Ink	Test Print	Print Quality Alignment	Lets you check the print quality or alignment.	78
		Cleaning	Black Color All	Lets you clean the print head.	78
		Ink Volume	—	Lets you check the available ink volume.	See ♦.
	Paper Type (MFC-J4310DW and MFC-J4410DW)	—	Plain Paper* Inkjet Paper Brother BP71 Other Glossy Transparency	Sets the type of paper in the paper tray.	27
	Paper Size (MFC-J4310DW and MFC-J4410DW)	—	Letter* A4 A5 EXE 4"x6"	Sets the size of paper in the paper tray.	27
♦ See Advanced User's Guide.					
The factory settings are shown in Bold with an asterisk.					

Level1	Level2	Level3	Options	Descriptions	Page
General Setup (Continued)	Tray Setting (MFC-J4610DW)	Tray #1	Paper Type (Options) Plain Paper* Inkjet Paper Brother BP71 Other Glossy Transparency	Sets the type of paper in paper tray #1.	28
			Paper Size (Options) Letter* A4 A5 EXE 4"x6"	Sets the size of paper in paper tray #1.	
		Tray #2	Paper Size (Options) Letter* A4	Sets the size of paper in paper tray #2.	28
		Tray Use: Copy	Tray #1 Tray #2 Auto Tray Select*	Choose the tray that will be used for Copy mode.	28
		Tray Use: Fax	Tray #1 Tray #2 Auto Tray Select*	Choose the tray that will be used for Fax mode.	29
◆ See Advanced User's Guide.					
The factory settings are shown in Bold with an asterisk.					

Level1	Level2	Level3	Options	Descriptions	Page
General Setup (Continued)	Volume	Ring	Off Low Med* High	Adjusts the ring volume.	See ◆.
		Beep	Off Low* Med High	Adjusts the volume of the sounds when you press the Touchscreen or Touchpanel.	
		Speaker	Off Low Med* High	Adjusts the speaker volume.	
	LCD Settings	Backlight	Light* Med Dark	You can adjust the brightness of the Touchscreen backlight.	
		Dim Timer	Off 10Secs 20Secs 30Secs*	You can set how long the Touchscreen backlight stays on after the last finger press.	
	Sleep Mode	—	1Min 2Mins 3Mins 5Mins* 10Mins 30Mins 60Mins	You can choose how long the machine must be idle before it goes into Sleep mode.	
	Function Lock	Set Password	—	You can restrict selected machine functions for up to 10 restricted users and for all other non-authorized Public users.	
		Lock Off-On	—		

◆ See Advanced User's Guide.

The factory settings are shown in Bold with an asterisk.

Level1	Level2	Level3	Options	Descriptions	Page
Fax	Setup Receive	Ring Delay	0 1 2 3 4*	Sets the number of rings before the machine answers in Fax Only or Fax/Tel mode.	44
		F/T Ring Time	20Secs* 30Secs 40Secs 70Secs	Sets the length of the pseudo/double-ring time in Fax/Tel mode.	44
		Easy Receive	On* Off	Receives fax messages automatically when you answer a call and hear fax tones.	45
		Remote Codes	On* (*51, #51) Off	Allows you to answer all calls at an extension telephone and use codes to turn the machine on or off. You can personalize these codes.	53
		Auto Reduction	On* Off	Reduces the size of incoming faxes to fit the paper size you are using.	See ◆ .
		Memory Receive	Off* Fax Forward Paging Fax Storage PC Fax Receive	You can set the machine to either forward fax messages, call your pager or cell phone, store incoming faxes in the memory (so you can retrieve them while you are away from your machine), or send faxes to your PC. If you choose Fax Forward or PC-Fax Receive, you can turn on the safety feature Backup Print.	

◆ See Advanced User's Guide.

The factory settings are shown in Bold with an asterisk.

Level1	Level2	Level3	Options	Descriptions	Page
Fax (Continued)	Setup AddressBook	Set Speed Dial	Add Number	You can store Speed Dial numbers, so you can dial by pressing only a few buttons on the Touchscreen.	56
			Add Number from History		See ♦.
		Setup Groups	—	You can set up Group numbers for Broadcasting.	
		Change	—	You can change Speed Dial numbers.	57
		Delete	—	You can delete Speed Dial numbers.	
	Report Setting	Transmission	On On+Image Off* Off+Image	Choose the initial setting of the Transmission Verification Report.	39
		Journal Period	Off Every 50 Faxes* Every 6 Hours Every 12 Hours Every 24 Hours Every 2 Days Every 7 Days	Sets the interval for the automatic printing of the Fax Journal. If you have chosen any option other than <i>Off</i> or <i>Every 50 Faxes</i> , you can set the time for the chosen option. If you have chosen <i>Every 7 Days</i> , you can set the day of the week.	See ♦.
	Print Fax	—	—	Prints incoming faxes stored in the memory.	
	Remote Access	—	---*	Set your own code for Remote Retrieval.	
	Remaining Jobs	—	—	Check which jobs are in the memory and cancel chosen jobs.	
♦ See Advanced User's Guide.					
The factory settings are shown in Bold with an asterisk.					

Level1	Level2	Level3	Options	Descriptions	Page
Fax (Continued)	Miscellaneous	Distinctive	Distinctive (Options) off* On	Uses the telephone company's Distinctive Ring subscriber service to register the ring pattern with the machine.	47
			Ring Pattern (Options) 1* 2 3 4		
		Caller ID (USA only)	Area Code	View or print a list of the last 30 Caller IDs stored in the memory. Set up your 3-digit area code only if you do not dial it within your own area code.	See ◆ .
◆ See Advanced User's Guide.					
The factory settings are shown in Bold with an asterisk.					

Network settings

Level1	Level2	Level3	Level4	Options	Descriptions	Page
Network	Wired LAN	TCP/IP	BOOT Method	Auto* Static RARP BOOTP DHCP	Choose the BOOT method that best suits your needs.	See +.
			IP Address	[000-255]. [000-255]. [000-255]. [000-255]	Enter the IP address.	
			Subnet Mask	[000-255]. [000-255]. [000-255]. [000-255]	Enter the Subnet mask.	
			Gateway	[000-255]. [000-255]. [000-255]. [000-255]	Enter the Gateway address.	
			Node Name	BRNXXXXXXXXXXXX	Enter the Node name.	
			WINS Config	Auto* Static	Chooses the WINS configuration mode.	
			WINS Server	(Primary) 000.000.000.000 (Secondary) 000.000.000.000	Specifies the IP address of the primary or secondary WINS server.	
			DNS Server	(Primary) 000.000.000.000 (Secondary) 000.000.000.000	Specifies the IP address of the primary or secondary DNS server.	
			APIPA	On* Off	Automatically allocates the IP address from the link-local address range.	

+ See Network User's Guide.

♣ Go to the Brother Solutions Center to download Wi-Fi Direct™ Guide at <http://solutions.brother.com/>.

● Go to the Brother Solutions Center to download Web Connect Guide at <http://solutions.brother.com/>.

The factory settings are shown in Bold with an asterisk.

Level1	Level2	Level3	Level4	Options	Descriptions	Page
Network (Continued)	Wired LAN (Continued)	TCP/IP (Continued)	IPv6	On Off*	Enable or disable the IPv6 protocol. If you want to use the IPv6 protocol, visit http://solutions.brother.com/ for more information.	See +.
		Ethernet	—	Auto* 100B-FD 100B-HD 10B-FD 10B-HD	Chooses the Ethernet link mode.	
		MAC Address	—	—	You can see your machine's MAC address.	
	WLAN	TCP/IP	BOOT Method	Auto* Static RARP BOOTP DHCP	Chooses the BOOT method that best suits your needs.	
			IP Address	[000-255]. [000-255]. [000-255]. [000-255]	Enter the IP address.	
			Subnet Mask	[000-255]. [000-255]. [000-255]. [000-255]	Enter the Subnet mask.	
			Gateway	[000-255]. [000-255]. [000-255]. [000-255]	Enter the Gateway address.	
			Node Name	BRWXXXXXXXXXXXXX	Enter the Node name.	
			WINS Config	Auto* Static	Chooses the WINS configuration mode.	

+ See Network User's Guide.

♣ Go to the Brother Solutions Center to download Wi-Fi Direct™ Guide at <http://solutions.brother.com/>.

● Go to the Brother Solutions Center to download Web Connect Guide at <http://solutions.brother.com/>.

The factory settings are shown in Bold with an asterisk.

Level1	Level2	Level3	Level4	Options	Descriptions	Page
Network (Continued)	WLAN (Continued)	TCP/IP (Continued)	WINS Server	(Primary) 000.000.000.000 (Secondary) 000.000.000.000	Specifies the IP address of the primary or secondary WINS server.	See +.
			DNS Server	(Primary) 000.000.000.000 (Secondary) 000.000.000.000	Specifies the IP address of the primary or secondary DNS server.	
			APIPA	On* Off	Automatically allocates the IP address from the link-local address range.	
			IPv6	On Off*	Enable or disable IPv6 protocol for a wireless LAN. If you want to use the IPv6 protocol, visit http://solutions.brother.com/ for more information.	
		Setup Wizard	—	—	You can manually configure your print server for a wireless network.	
		WPS/AOSS	—	—	You can easily configure your wireless network settings using the one-button push method.	
		WPS w/PIN Code	—	—	You can easily configure your wireless network settings using WPS with a PIN code.	

+ See Network User's Guide.

♣ Go to the Brother Solutions Center to download Wi-Fi Direct™ Guide at <http://solutions.brother.com/>.

● Go to the Brother Solutions Center to download Web Connect Guide at <http://solutions.brother.com/>.

The factory settings are shown in Bold with an asterisk.

Level1	Level2	Level3	Level4	Options	Descriptions	Page	
Network (Continued)	WLAN (Continued)	WLAN Status	Status	Active (11b) Active (11g) Active (11n) AOSS Active Connection Fail	You can see the wireless network status.	See +.	
			Signal	—			You can see the current wireless network signal strength.
			SSID	—			You can see the current SSID.
			Comm. Mode	—			You can see the current Communication Mode.
		MAC Address	—	—	You can see your machine's MAC address.		
	Wi-Fi Direct	Push Button	—	—	—	You can easily configure your Wi-Fi Direct™ network settings using the one-button push method.	See ♣.
			PIN Code	—	—	You can easily configure your Wi-Fi Direct™ network settings using WPS with a PIN code.	
			Manual	—	—	You can manually configure your Wi-Fi Direct™ network settings.	
			Group Owner	—	On Off*	Sets your machine as the Group Owner.	

+ See Network User's Guide.

♣ Go to the Brother Solutions Center to download Wi-Fi Direct™ Guide at <http://solutions.brother.com/>.

● Go to the Brother Solutions Center to download Web Connect Guide at <http://solutions.brother.com/>.

The factory settings are shown in Bold with an asterisk.

Level1	Level2	Level3	Level4	Options	Descriptions	Page
Network (Continued)	Wi-Fi Direct (Continued)	Device Information	Device Name	—	You can see the device name of your machine.	See ♣.
			SSID	—	Shows SSID of Group Owner. When the machine is not connected, Touchscreen shows Not Connected.	
			IP Address	—	You can see the IP Address of your machine.	
		Status Information	Status	G/O Active (**) Client Active Not Connected Off ** = the number of devices	You can see the current Wi-Fi Direct™ network status.	
			Signal	Strong Medium Weak None	You can see the current Wi-Fi Direct™ network signal strength. When your machine acts as Group Owner, the Touchscreen always shows Strong.	
		I/F Enable	—	On off*	Enable or Disable the Wi-Fi Direct™ connection.	

+ See Network User's Guide.

♣ Go to the Brother Solutions Center to download Wi-Fi Direct™ Guide at <http://solutions.brother.com/>.

● Go to the Brother Solutions Center to download Web Connect Guide at <http://solutions.brother.com/>.

The factory settings are shown in Bold with an asterisk.

Level1	Level2	Level3	Level4	Options	Descriptions	Page
Network (Continued)	Email/IFax (Available after IFAX is downloaded)	Email Address	—	—	Enter the mail address. (Up to 60 characters)	See +.
		Setup Server	SMTP Server	Name (Up to 30 characters)	Enter the SMTP server address.	
				IP Address [000-255]. [000-255]. [000-255]. [000-255]		
			SMTP Port	[00001-65535]	Enter the SMTP port number.	
			Auth. for SMTP	None* SMTP-AUTH POP bef. SMTP	Selects the Security method for E-mail notification.	
			POP3 Server	Name (Up to 30 characters)	Enter the POP3 server address.	
				IP Address [000-255]. [000-255]. [000-255]. [000-255]		
			POP3 Port	[00001-65535]	Enter the POP3 port number.	
			Mailbox Name	—	Enter the mail box name. (Up to 60 characters)	
Mailbox Pwd	—	Enter the password to login to the POP3 server. (Up to 32 characters)				
APOP	On Off*	Enables or disables APOP.				

+ See Network User's Guide.

♣ Go to the Brother Solutions Center to download Wi-Fi Direct™ Guide at <http://solutions.brother.com/>.

● Go to the Brother Solutions Center to download Web Connect Guide at <http://solutions.brother.com/>.

The factory settings are shown in Bold with an asterisk.

Level1	Level2	Level3	Level4	Options	Descriptions	Page
Network (Continued)	Email/IFax (Available after IFAX is downloaded) (Continued)	Setup Mail RX	Auto Polling	On*	Automatically checks the POP3 server for new messages.	See +.
				Off		
			(When On chosen)	Sets the interval for checking for new messages on the POP3 server.		
			Poll Frequency			
			(Options)			
			1Min			
		3Mins				
		5Mins				
		10Mins*				
		30Mins				
60Mins						
Header	All Subject+From+To None*	Selects the contents of the mail header to be printed.				
Del Error Mail	On* Off	Deletes error mails automatically.				
Notification	On MDN Off*	Receives notification messages.				
Setup Mail TX	Sender Subject	—	Displays the subject that is attached to the Internet Fax data.			
Size Limit	On Off*	Limits the size of E-mail documents.				
Notification	On Off*	Sends notification messages.				
<p>+ See Network User's Guide.</p> <p>♣ Go to the Brother Solutions Center to download Wi-Fi Direct™ Guide at http://solutions.brother.com/.</p> <p>● Go to the Brother Solutions Center to download Web Connect Guide at http://solutions.brother.com/.</p> <p>The factory settings are shown in Bold with an asterisk.</p>						

Level1	Level2	Level3	Level4	Options	Descriptions	Page
Network (Continued)	Email/IFax (Available after IFAX is downloaded) (Continued)	Setup Relay	Rly Broadcast	On Off*	Relays a document to another fax machine over the Internet.	See +.
			Relay Domain	—	Registers the Domain name.	
			Relay Report	On Off*	Prints the Relay Broadcast Report.	
		Manual POP3 Receive	—	Accesses the POP3 server and confirms whether an e-mail has been received.		
	Web Connect Settings	Proxy Settings	Proxy Connection	On Off*	You can change the Web connection settings.	See ●.
			Address	—		
			Port	—		
			User Name	—		
			Password	—		
	Network I/F	—	Wired LAN* WLAN	—	You can choose the network connection type.	See +.
Network Reset	—	—	Yes No	Restore all network settings back to the factory settings.		

+ See Network User's Guide.

♣ Go to the Brother Solutions Center to download Wi-Fi Direct™ Guide at <http://solutions.brother.com/>.

● Go to the Brother Solutions Center to download Web Connect Guide at <http://solutions.brother.com/>.

The factory settings are shown in Bold with an asterisk.

**(Settings) (continued)**

Level1	Level2	Level3	Options	Descriptions	Page
Print Reports	Transmission	—	—	Prints these lists and reports.	See ◆.
	Address Book	—	Alphabetical Order		
			Numerical Order		
	Fax Journal	—	—		
	User Settings	—	—		
	Network Config	—	—		
	WLAN Report	—	—		
Caller ID hist.	—	—			
Machine Info.	Serial No.	—	—	Lets you check the serial number of your machine.	116
Initial Setup	Receive Mode	—	Fax Only* Fax/Tel External TAD Manual	Choose the Receive Mode that best suits your needs.	41
	Date & Time	Date & Time	—	Puts the date and time on the Touchscreen and in the headings of the faxes you send.	See ‡.
		Auto Daylight	On Off*	Change this setting to On if you want the machine to change automatically for Daylight Saving Time.	See ◆.
		Time Zone	—	Sets the time zone for your country.	See ‡.
	Station ID	—	Fax: Name:	Enter your name and fax number to appear on each page you fax.	
	Tone/Pulse (Canada only)	—	Tone* Pulse	Choose the dialing mode.	
	Dial Tone	—	Detection No Detection*	You can shorten the dial tone detection pause.	115
	Dial Prefix	—	On Off*	Sets a prefix number that will always be added before the fax number every time you dial.	See ◆.
	Compatibility	—	High* Normal Basic(for VoIP)	Adjusts the modem speed to help resolve transmission problems.	115

◆ See Advanced User's Guide.

‡ See Quick Setup Guide.

The factory settings are shown in Bold with an asterisk.

Level1	Level2	Level3	Options	Descriptions	Page	
Initial Setup (Continued)	Reset	Network	Yes No	Resets the print server back to its factory default settings, such as the password and IP address information.	116	
		Address&Fax	Yes No	Deletes all stored Speed Dial numbers and faxes, restores the Station ID, Speed Dial List, Transmission Verification Report and Fax Journal back to the factory default settings.		
		All Settings	Yes No	Resets all the machine's settings back to the factory settings.		
	Miscellaneous	Temporary Fax Backup		Backup (Options)	Prints or deletes fax data that is stored in the memory.	See ◆.
				On		
				Off*		
				Reprint		
		Delete				
Local Language (USA only)	—		English* Spanish	Allows you to change the Touchscreen language for your country.	See ‡.	
Local Language (Canada only)	—		English* French	Allows you to change the Touchscreen language for your country.		
◆ See Advanced User's Guide.						
‡ See Quick Setup Guide.						
The factory settings are shown in Bold with an asterisk.						

Features tables



(Fax)

Level1	Level2	Level3	Options	Descriptions	Page	
History	Outgoing	Send a fax	—	You can choose a number from the Outgoing Call history and then send a fax to it, add it to the Address Book, or delete it.	See ♦.	
		More	Add to Address Book			
			Delete			
	Incoming	Send a fax	—			You can choose a number from the Caller ID history and then send a fax to it, add it to the Address Book, or delete it.
		More	Add to Address Book			
			Delete			
Address	—	Send a fax	—	You can dial a stored number with a few finger presses.	55	
		More	Set Speed Dial	You can store Speed Dial numbers, so you can dial by pressing only a few buttons on the Touchscreen.	56	
			Setup Groups	You can set up Group numbers for Broadcasting.	See ♦.	
			Change	You can change Speed Dial numbers.	57	
			Delete	You can delete Speed Dial numbers.		
			Fax Start	—	—	—
Options	Fax Resolution	—	Standard* Fine S.Fine Photo	Sets the resolution for outgoing faxes.	See ♦.	
	Contrast	—	Auto* Light Dark	Changes the lightness or darkness of faxes you send.		
	Broadcasting	Add from Address Book	—	You can send the same fax message to more than one fax number.		
	Color Setting	—	Black* Color	Sets whether faxes are sent in black & white or color.	39	

♦ See Advanced User's Guide.

The factory settings are shown in Bold with an asterisk.

Level1	Level2	Level3	Options	Descriptions	Page		
Options (Continued)	Delayed Fax	—	On Off*	Sets the time of day in 24-hour format that the delayed faxes will be sent.	See ◆.		
	Batch TX	—	On Off*	Combines delayed faxes to the same fax number at the same time of day into one transmission.			
	Real Time TX	—	On Off*	You can send a fax without using the machine's memory.			
	Polled TX	—	On Off*	Sets up your machine with a document to be retrieved by another fax machine.			
	Polling RX	—	On Off*	Sets up your machine to poll another fax machine.			
	Overseas Mode	—	On Off*	If you are having difficulty sending faxes overseas, set this to On.			
	Glass Scan Size	—	Letter* A4	Adjust the scan area of the scanner glass to the size of the document.	38		
	History	Outgoing	Send a fax	More (Add to Address Book/Delete)	You can choose a number from the Outgoing Call history and then send a fax to it, add it to the Address Book, or delete it.	See ◆.	
			Incoming				Send a fax
	Address Book	Send a fax	—	—	You can dial a stored number with a few finger presses.		55
			More	Set Speed Dial	You can store Speed Dial numbers, so you can dial by pressing only a few buttons on the Touchscreen.		56
				Setup Groups	You can set up Group numbers for Broadcasting.	See ◆.	
				Change	You can change Speed Dial numbers.	57	
	Delete	You can delete Speed Dial numbers.					

◆ See Advanced User's Guide.

The factory settings are shown in Bold with an asterisk.

Level1	Level2	Level3	Options	Descriptions	Page
Options (Continued)	Set New Default	—	Yes No	You can save your fax settings.	See ♦.
	Factory Reset	—	Yes No	You can restore all settings back to the factory settings.	
♦ See Advanced User's Guide.					
The factory settings are shown in Bold with an asterisk.					

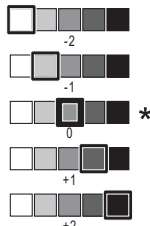


(Copy)

Level1	Level2	Level3	Options	Descriptions	Page
Black Start	—	—	—	Lets you make a black & white or gray scale copy.	58
Color Start	—	—	—	Lets you make a color copy.	
Options	Quality	—	Normal* Best	Choose the Copy resolution for the next copy.	See ◆.
	Paper Type	—	Plain Paper* Inkjet Paper Brother BP71 Other Glossy Transparency (For MFC-J4610DW, when Tray #2 is selected in Tray Select.) Plain Paper	Choose the paper type that matches the paper in the tray.	59
	Paper Size	—	Letter* Legal Ledger A4 A5 A3 EXE 4"x6" (For MFC-J4610DW, when Tray #2 is selected in Tray Select.) Letter* Legal Ledger A4 A3	Choose the paper size that matches the paper in the tray.	59

◆ See Advanced User's Guide.

The factory settings are shown in Bold with an asterisk.

Level1	Level2	Level3	Options	Descriptions	Page
Options (Continued)	Tray Select (MFC-J4610DW)	—	Tray #1 Tray #2 Auto Tray Select*	Choose the tray that will be used for Copy mode.	60
	Enlarge/Reduce	100%*	—	—	See ◆.
		Enlarge	198% 4"x6"→A4 186% 4"x6"→LTR 130% LTR→LGR 104% EXE→LTR	You can choose the enlargement ratio for the next copy.	
		Reduce	(MFC-J4310DW) 97% LTR→A4 93% A4→LTR 85% LTR→EXE 83% 78% 46% LTR→4"x6" (MFC-J4410DW and MFC-J4610DW) 97% LTR→A4 93% A4→LTR 85% LTR→EXE 83% LGL→A4 78% LGL→LTR 46% LTR→4"x6"	You can choose the reduction ratio for the next copy.	
		Fit to Page	—	Your machine will adjust the size automatically to the paper size you set.	
		Custom(25-400%)	—	You can enter an enlargement or reduction ratio.	
	Density	—		Adjusts the density of copies.	
	Stack/Sort	—	Stack* Sort	You can choose to stack or sort multiple copies.	
◆ See Advanced User's Guide.					
The factory settings are shown in Bold with an asterisk.					

Level1	Level2	Level3	Options	Descriptions	Page
Options (Continued)	Page Layout	—	Off (1in1)* 2in1 (P) 2in1 (L) 2in1 (ID) 4in1 (P) 4in1 (L) Poster (2x1) Poster (2x2) Poster (3x3)	You can make N in 1, 2 in 1 ID, or Poster copies.	See ◆ .
	2-sided Copy	Off*	—	You can choose the 2-sided print settings.	
		Portrait LongEdgeFlip	—		
		Landscape LongEdgeFlip	—		
		Portrait ShortEdgeFlip	—		
		Landscape ShortEdgeFlip	—		
		Advanced	Normal* 2-sided1 2-sided2		
Advanced Settings	—	Off* Ink Save Mode Thin Paper Copy Book Copy Remove Background	You can choose various copy settings such as Thin Paper Copy, Book Copy and Remove Background.		
Set New Default	—	Yes No	You can save your copy settings.		
Factory Reset	—	Yes No	You can restore all the settings back to the factory settings.		

◆ See Advanced User's Guide.

The factory settings are shown in Bold with an asterisk.

Remove Background

Options1	Options2	Descriptions	Page
Remove Background	Low Medium* High	Change the amount of background color that will be removed.	See ◆ .

◆ See Advanced User's Guide.

The factory settings are shown in Bold with an asterisk.

**(Scan)**

Level1	Level2	Level3	Options	Descriptions	Page
Scan to File	PC	Start	—	Start scanning.	See <input type="checkbox"/> .
		Options	(For more information, see the <i>Options (for Scan to File, Scan to email and Scan to Image)</i> in the following table.)	Configure the detailed settings.	
Scan to Media (when a memory card or USB Flash memory drive is inserted)	—	Start	—	Start scanning.	65
	—	Options	(For more information, see the <i>Options (for Scan to Media)</i> in the following table.)	Configure the detailed settings.	
Scan to Network	—	Start	—	Start scanning.	See <input type="checkbox"/> .
Scan to FTP	—	Start	—	Start scanning.	
Scan to email	PC	Start	—	Start scanning.	
		Options	(For more information, see the <i>Options (for Scan to File, Scan to email and Scan to Image)</i> in the following table.)	Configure the detailed settings.	
Scan to E-mail Server (Available after IFAX is downloaded)	Manual	—	—	Manually enter the address of the recipient.	
	Address Book	—	—	Choose the address of the recipient from the <i>Address Book</i> .	
	—	Start	—	Start scanning.	
	—	Options	(For more information, see the <i>Options (for Scan to E-mail Server)</i> in the following table.)	Configure the detailed settings.	
<input type="checkbox"/> See Software User's Guide.					
The factory settings are shown in Bold with an asterisk.					

Level1	Level2	Level3	Options	Descriptions	Page
Scan to OCR (Available after Presto! PageManager is downloaded for Macintosh users. See <i>Accessing Brother Support (Macintosh)</i> on page 5.)	PC	Start	—	Start scanning.	See <input type="checkbox"/> .
		Options	(For more information, see the <i>Options (for Scan to OCR)</i> in the following table.)	Configure the detailed settings.	
Scan to Image	PC	Start	—	Start scanning.	
		Options	(For more information, see the <i>Options (for Scan to File, Scan to email and Scan to Image)</i> in the following table.)	Configure the detailed settings.	
Web Service (Appears when you install a Web Services Scanner, which is displayed in your computer's Network Explorer.)	Scan	—	—	You can scan data by using the Web Services protocol.	
	Scan for E-mail	—	—		
	Scan for Fax	—	—		
	Scan for Print	—	—		
<input type="checkbox"/> See Software User's Guide.					
The factory settings are shown in Bold with an asterisk.					

Options (for Scan to File, Scan to email and Scan to Image)

Level1	Level2	Options1	Descriptions	Page
Options	Set with TouchPanel	Off (Set with Computer)* On	If you want to use the Touchscreen to change the machine's settings, choose On.	See <input type="checkbox"/> .
	The settings below will appear when On is selected in Set with TouchPanel.			
	Scan Type	Color* Black and White	You can choose the scan type for your document.	
	Resolution	100 dpi 200 dpi* 300 dpi 600 dpi	You can choose the scan resolution for your document.	
	File Type	(If you choose the Color option in the Scan Type setting) PDF* JPEG (If you choose the B&W option in the Scan Type setting) TIFF PDF*	You can choose the file format for your document.	
	Remove Background	Off* Low Medium High	Change the amount of background color that is removed.	
<input type="checkbox"/> See Software User's Guide.				
The factory settings are shown in Bold with an asterisk.				

Options (for Scan to Media)

Level1	Level2	Options1	Descriptions	Page
Options	Scan Type	Color* Black and White	You can choose the scan type for your document.	65
	Resolution	100 dpi 200 dpi* 300 dpi 600 dpi Auto	You can choose the scan resolution for your document.	
	File Type	(If you choose the Color option in the Scan Type setting) PDF* JPEG (If you choose the B&W option in the Scan Type setting) TIFF PDF*	You can choose the file format for your document.	
	File Name	—	You can rename the file.	
	Remove Background	Off* Low Medium High	Change the amount of background color that is removed.	
	Set New Default	Yes No	You can save your scan settings as the default settings.	See ♦.
	Factory Reset	Yes No	You can restore all settings back to the factory settings.	

♦ See Advanced User's Guide.

The factory settings are shown in Bold with an asterisk.

Options (for Scan to E-mail Server)

NOTE

This feature is available after IFAX is downloaded.

Level1	Level2	Options1	Descriptions	Page
Options	Scan Type	Color* Black and White	You can choose the scan type for your document.	See <input type="checkbox"/> .
	Resolution	100 dpi 200 dpi* 300 dpi 600 dpi Auto	You can choose the scan resolution for your document.	
	File Type	(If you choose Color option in the Scan Type setting) PDF* JPEG (If you choose B&W option in the Scan Type setting) TIFF PDF*	You can choose the file format for your document.	
	Set New Default	Yes No	You can save your scan settings as the default settings.	
	Factory Reset	Yes No	You can restore all settings back to the factory settings.	
<input type="checkbox"/> See Software User's Guide.				
The factory settings are shown in Bold with an asterisk.				

Options (for Scan to OCR)

Level1	Level2	Options1	Descriptions	Page
Options	Set with TouchPanel	Off (Set with Computer)* On	If you want to use the Touchscreen to change the machine's settings, choose On.	See <input type="checkbox"/> .
	The settings below will appear when On is selected in Set with TouchPanel.			
	Scan Type	Color Black and White*	You can choose the scan type for your document.	
	Resolution	100 dpi 200 dpi* 300 dpi 600 dpi	You can choose the scan resolution for your document.	
	File Type	Text* HTML RTF	You can choose the file format for your document.	
<input type="checkbox"/> See Software User's Guide.				
The factory settings are shown in Bold with an asterisk.				



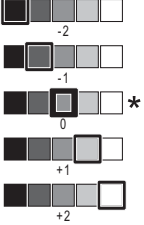
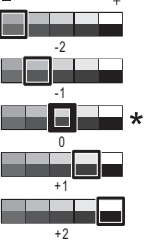
(Photo)

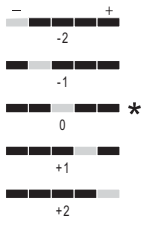
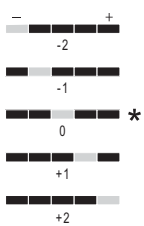
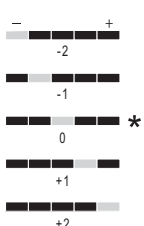
Level1	Level2	Level3	Options	Descriptions	Page
View Photos	OK	Start	—	You can print your chosen photos.	64
		Options	For more information, see the Options in the following table.	You can adjust your photos with the options.	See ◆.
Print All	Start	—	—	You can print all photos in your memory card or USB Flash memory drive.	
	Options	—	For more information, see the Options in the following table.	You can adjust your photos with the options.	
Index Print	Index Sheet	Start	—	You can print a thumbnail page.	
		Options	Paper Type (Options) Plain Paper* Inkjet Paper Brother BP71 Other Glossy	Choose the paper type.	
	Print Photos	Start	—	You can print an individual image.	
		Options	For more information, see the Options in the following table.	You can adjust your photos with the options.	
	Paper Size (Options) Letter* A4	Choose the paper size.			

◆ See Advanced User's Guide.

The factory settings are shown in Bold with an asterisk.

Options (for Photo)

Option1	Option2	Option3	Option4	Descriptions	Page
Print Quality (Does not appear when DPOF Print is chosen.)	Normal Photo*	—	—	Choose the print quality.	See ◆ .
Paper Type	Plain Paper Inkjet Paper Brother BP71 Other Glossy*	—	—	Choose the paper type.	
Paper Size	4"x6"* 5"x7" Letter Ledger A4 A3	—	—	Choose the paper size.	
(When Letter or A4 is chosen) Print Size	3"x4" 3.5"x5" 4"x6" 5"x7" 6"x8" Max. Size*	—	—	Choose the print size if you are using Letter or A4 size paper.	
Brightness		—	—	Adjusts the brightness.	
Contrast		—	—	Adjusts the contrast.	
◆ See Advanced User's Guide.					
The factory settings are shown in Bold with an asterisk.					

Option1	Option2	Option3	Option4	Descriptions	Page
Color Enhance	On Off*	White Balance		Adjusts the hue of the white areas.	See ◆ .
		Sharpness		Enhances the detail of the image.	
		Color Density		Adjusts the total amount of color in the image.	
Cropping	On* Off	—	—	Crops the image around the margin to fit the paper size or print size. Turn this feature off if you want to print whole images or prevent unwanted cropping.	
Borderless	On* Off	—	—	Expands the printable area to fit the edges of the paper.	
Print Date (Does not appear when DPOF Print is chosen.)	On Off*	—	—	Prints the date on your photo.	
Set New Default	Yes No	—	—	You can save your print settings as the default settings.	
Factory Reset	Yes No	—	—	You can restore all the settings back to the factory settings.	
◆ See Advanced User's Guide.					
The factory settings are shown in Bold with an asterisk.					

**(Web)**


Level1	Level2	Level3	Options	Descriptions	Page
Web	PICASA Web Albums™	—	—	Lets you connect the Brother machine to an Internet service. Web services may have been added and/or service names may have been changed by the provider since this document was published.	See ●.
	GOOGLE DRIVE™	—	—		
	FLICKR®	—	—		
	Facebook™	—	—		
	EVERNOTE®	—	—		
	Dropbox	—	—		

● Go to the Brother Solutions Center to download Web Connect Guide at <http://solutions.brother.com/>.

The factory settings are shown in Bold with an asterisk.

**(Ink)****NOTE**

will not appear if received faxes are in the memory.

Level1	Level2	Level3	Options	Descriptions	Page
 (Ink)	Test Print	—	Print Quality Alignment	Lets you check the print quality or alignment.	78 80
	Cleaning	—	Black Color All	Lets you clean the print head.	78
	Ink Volume	—	—	Lets you check the available ink volume.	See ◆.

◆ See Advanced User's Guide.

The factory settings are shown in Bold with an asterisk.


WiFi (Wi-Fi Setup)

NOTE

After the Wi-Fi[®] is set up, you cannot change the settings from your Home screen. Change the settings for Wi-Fi in the Settings screen.





Level1	Level2	Level3	Options	Descriptions	Page
WiFi (Wi-Fi Setup)	Setup Wizard	—	—	You can manually configure your print server for a wireless network.	See ‡.
	Setup with PC	—	—	You can configure the Wi-Fi settings using a PC.	
	WPS/AOSS	—	—	You can easily configure your wireless network settings using the one-button push method.	
	WPS w/PIN Code	—	—	You can easily configure your wireless network settings using WPS with a PIN code.	See †.
‡ See Quick Setup Guide.					
† See Network User's Guide.					
The factory settings are shown in Bold with an asterisk.					

Entering Text

When you need to enter text into the machine the keyboard will appear on the Touchscreen. Press  to cycle between letters, numbers and special characters.





Inserting spaces

To enter a space, press  to choose special characters, then press the space button  or . Or, you can press  twice to move the cursor.

NOTE


The characters that are available may differ depending on your country.

Making corrections

If you entered an incorrect character and want to change it, press  to move the cursor under the incorrect character. Then press . Enter the correct character. You can also back up and insert letters.

If the Touchscreen does not show , press  repeatedly until you have erased the incorrect character. Enter the correct characters.

Repeating letters

If you need to enter a letter that is on the same button as the letter before it, press  to move the cursor to the right before you press the same button again.

General

NOTE

This chapter provides a summary of the machines' specifications. For additional specifications visit <http://www.brother.com/>.

Printer Type	Inkjet	
Print Head	Black:	Piezo with 420 nozzles × 1
	Color:	Piezo with 420 nozzles × 3
Memory Capacity	128 MB	
LCD (Liquid Crystal Display)	1.8 in. (44.9 mm) TFT Color Touchscreen LCD ¹ and Touchpanel	
Power Source	AC 100 to 120 V 50/60 Hz	
Power Consumption ²	Copying Mode:	Approx. 21 W ³
	Ready Mode:	Approx. 5 W ⁴
	Sleep Mode:	Approx. 1.5 W ⁴
	Off:	Approx. 0.04 W ^{4 5}

¹ Measured diagonally.

² Measured when the machine is connected to the USB interface. Power consumption varies slightly depending on the usage environment or part wear.

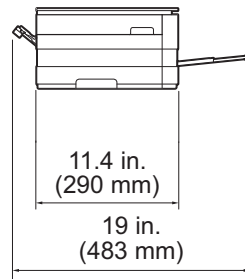
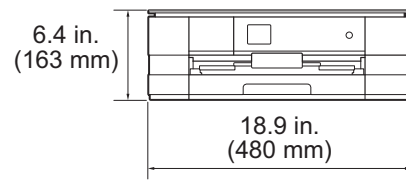
³ (MFC-J4410DW and MFC-J4610DW) When using the ADF, single-sided printing, resolution: standard / document: ISO/IEC 24712 printed pattern.
(MFC-J4310DW) When single-sided printing, resolution: standard / document: ISO/IEC 24712 printed pattern.

⁴ Measured according to IEC 62301 Edition 2.0.

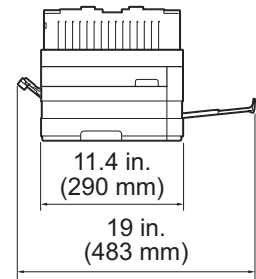
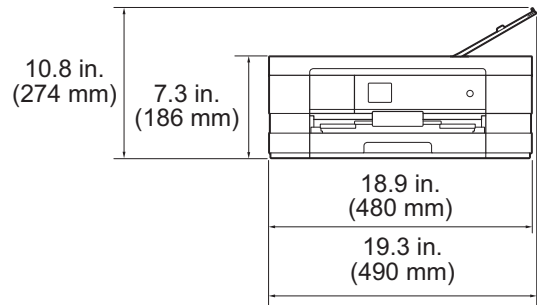
⁵ Even when the machine is turned off, it will automatically turn itself on periodically for print head maintenance, and then turn itself off.

Dimensions

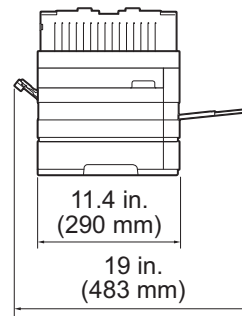
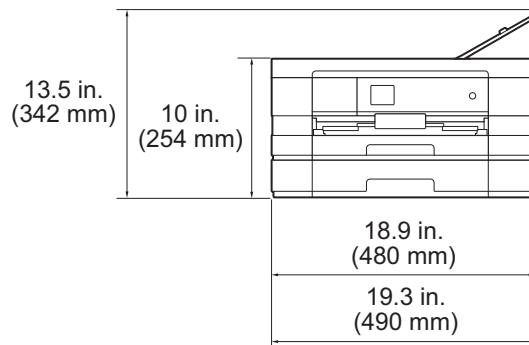
(MFC-J4310DW)



(MFC-J4410DW)



(MFC-J4610DW)



Weight	(MFC-J4310DW) 17.6 lb (8.0 kg) (MFC-J4410DW) 20.3 lb (9.2 kg) (MFC-J4610DW) 24.3 lb (11.0 kg)
Noise	Operating: 50 dB(A) (Average) ¹
Temperature	Operating: 50 to 95 °F (10 to 35 °C) Best Print Quality: 68 to 91 °F (20 to 33 °C)
Humidity	Operating: 20 to 80% (without condensation) Best Print Quality: 20 to 80% (without condensation)
ADF (automatic document feeder) (MFC-J4410DW and MFC-J4610DW)	Up to 20 pages Paper: 20 lb (80 g/m ²) Letter or A4 size
Document Size	ADF Width: 5.8 in. to 8.5 in. (148 mm to 215.9 mm) (MFC-J4410DW and MFC-J4610DW) ADF Length: 5.8 in. to 14.0 in. (148 mm to 355.6 mm) (MFC-J4410DW and MFC-J4610DW) Scanner Glass Width: Max. 8.5 in. (215.9 mm) Scanner Glass Length: Max. 11.7 in. (297 mm)

¹ Noise depends on printing conditions.

Print media

Paper Input

Paper Tray #1

- Paper Type:

Plain Paper, Inkjet Paper (coated paper),
Glossy Paper ¹ and Transparency ^{1 2}

- Paper Size ³:

(Landscape)

Letter, Executive, A4

(Portrait)

A5, A6, Envelopes (Com-10, DL, Monarch), Photo 4" × 6",
Photo L 3.5" × 5", Photo 2L 5" × 7" and Index card 5" × 8"

Width: 3.5 in. - 8.5 in. (89 mm - 215.9 mm)

Length: 5.0 in. - 11.7 in. (127 mm - 297 mm)

For more information, see *Paper weight and thickness* on page 33.

- Maximum paper tray capacity:

Up to 150 sheets of 20 lb (80 g/m²) plain paper

Paper Tray #2 (MFC-J4610DW)

- Paper Type:

Plain Paper

- Paper Size:

(Landscape)

Letter, A4

Width: 8.3 in. - 8.5 in. (210 mm - 215.9 mm)

Length: 11.0 in. - 11.7 in. (279.4 mm - 297 mm)

For more information, see *Paper weight and thickness* on page 33.

- Maximum paper tray capacity:

Up to 250 sheets of 20 lb (80 g/m²) plain paper

¹ For glossy paper or transparencies, remove printed pages from the output paper tray immediately after they exit the machine to avoid smudging.

² Use only transparencies recommended for inkjet printing.

³ See *Paper type and size for each operation* on page 31.

Paper Input

(Continued)

Manual Feed Slot

■ Paper Type:

Plain Paper, Inkjet Paper (coated paper),
Glossy Paper¹ and Transparency^{1 2}

■ Paper Size³:

(Landscape)

Letter, Executive, A4

(Portrait)

Ledger, A3, Legal, A5, A6, Envelopes (Com-10, DL, Monarch, C5),
Photo 4" × 6", Photo L 3.5" × 5", Photo 2L 5" × 7" and
Index card 5" × 8"

Width: 3.5 in. - 11.7 in. (89 mm - 297 mm)

Length: 5.0 in. - 17.0 in. (127 mm - 431.8 mm)

For more information, see *Paper weight and thickness* on page 33.

■ Maximum paper tray capacity:

1 sheet of special print media

Paper Output

Up to 50 sheets of 20 lb (80 g/m²) plain paper (face up print delivery to the
output paper tray)¹

¹ For glossy paper or transparencies, remove printed pages from the output paper tray immediately after they exit the machine to avoid smudging.

² Use only transparencies recommended for inkjet printing.

³ See *Paper type and size for each operation* on page 31.

Fax

Compatibility	ITU-T Super Group 3
Modem Speed	Automatic Fallback 33,600 bps
Scanning Width	8.19 in. (208 mm) (Letter)
Printing Width	■ (Paper Tray) 8.26 in. (210 mm) (Letter)
Gray Scale	B&W: 8 bit (256 levels) Color: 24 bit (8 bit per color/ 256 levels)
Resolution	Standard 203 × 98 dpi (Black) 203 × 196 dpi (Color) Fine 203 × 196 dpi (Black/Color) Superfine 203 × 392 dpi (Black) Photo 203 × 196 dpi (Black)
Speed Dial	100 stations × 2 numbers or E-mail addresses ¹
Groups	Up to 6
Broadcasting	200 (200 Speed Dial)
Automatic Redial	1 time after 5 minutes
Memory Transmission	Up to 200 ² pages
Out of Paper Reception	Up to 200 ² pages

¹ E-mail addresses are available after IFAX is downloaded.

² "Pages" refers to the "ITU-T Test Chart #1" (a typical business letter, Standard resolution, MMR code). Specifications and printed materials are subject to change without prior notice.

Copy

Color/Black	Yes/Yes
Copy Width ¹	8.26 in. (210 mm)
Multiple Copies	Stacks/Sorts up to 99 pages
Enlarge/Reduce	25% to 400% (in increments of 1%)
Resolution	Prints up to 1200 × 1200 dpi
2-sided	Yes
	■ Paper Type: Plain paper
	■ Paper Size: Letter, A4, A5, Executive

¹ When copying on Letter size paper.

PhotoCapture Center™

Compatible Media ¹	Memory Stick Duo™ (16 MB - 128 MB) Memory Stick PRO Duo™ (256 MB - 32 GB) (Not available for music data with MagicGate™) Memory Stick Micro™ (M2™) with Adapter (256 MB - 32 GB) MultiMedia Card (32 MB - 2 GB) MultiMedia Card plus (128 MB - 4 GB) MultiMedia Card mobile with Adapter (64 MB - 1 GB) SD Memory Card (16 MB - 2 GB) miniSD with Adapter (16 MB - 2 GB) microSD with Adapter (16 MB - 2 GB) SDHC Memory Card (4 GB - 32 GB) miniSDHC with Adapter (4 GB - 32 GB) microSDHC with Adapter (4 GB - 32 GB) SDXC Memory Card (48 GB - 128 GB) USB Flash memory drive ²
Resolution	Up to 1200 × 4800 dpi
File Extension (Media Format) (Image Format)	DPOF (ver. 1.0, ver. 1.1), Exif DCF (up to ver. 2.1) Photo Print: JPEG ³ , AVI ⁴ , MOV ⁴ Scan to Media: JPEG, PDF (Color) TIFF, PDF (Black & White)
Color Enhancement	True2Life™
Number of Files	Up to 999 files (The folder inside memory cards or USB Flash memory drive is also counted.)
Folder	File must be stored in the 4th folder level of the memory card or USB Flash memory drive.
Borderless	Letter, A4, Ledger, A3, Photo 4" × 6", Photo 2L 5" × 7" ⁵

¹ Memory cards, adapters and USB Flash memory drive are not included.

² USB 2.0 Standard
USB Mass Storage standard up to 32 GB
Support format: FAT12/FAT16/FAT32/exFAT

³ Progressive JPEG format is not supported.

⁴ Motion JPEG only.

⁵ See *Paper type and size for each operation* on page 31.

PictBridge

Compatibility

Supports the Camera & Imaging Products Association PictBridge standard CIPA DC-001.

Visit <http://www.cipa.jp/pictbridge/> for more information.

Interface

USB direct interface

Scanner

Color/Black	Yes/Yes
TWAIN Compliant	Yes (Windows® XP ¹ /Windows Vista®/Windows® 7) (Mac OS X v10.5.8, 10.6.x, 10.7.x ²)
WIA Compliant	Yes (Windows® XP ¹ /Windows Vista®/Windows® 7)
ICA Compliant	Yes (Mac OS X v10.6.x, 10.7.x)
Color Depth	48 bit color Processing (Input) 24 bit color Processing (Output) / 256 levels per color
Gray Scale	16 bit color Processing (Input) 8 bit color Processing (Output) / 256 levels
Resolution	Up to 19200 × 19200 dpi (interpolated) ³ Up to 2400 × 2400 dpi (optical) (Scanner Glass) Up to 2400 × 1200 dpi (optical) (ADF) (MFC-J4410DW and MFC-J4610DW)
Scanning Width and Length	(Scanner Glass) Width: Up to 8.42 in. (213.9 mm) Length: Up to 11.61 in. (295 mm) (ADF) (MFC-J4410DW and MFC-J4610DW) Width: Up to 8.42 in. (213.9 mm) Length: Up to 13.92 in. (353.6 mm)

¹ Windows® XP in this User's Guide includes Windows® XP Home Edition, Windows® XP Professional, and Windows® XP Professional x64 Edition.

² For the latest driver updates for the Mac OS X you are using, visit us at <http://solutions.brother.com/>.

³ Maximum 1200 × 1200 dpi scanning when using the WIA Driver for Windows® XP, Windows Vista® and Windows® 7 (resolution up to 19200 × 19200 dpi can be selected by using the Brother scanner utility).

Printer

Resolution	Up to 1200 × 6000 dpi
Printing Width ³	10.76 in. [11 in. (borderless) ¹]
Borderless ²	Letter, A4, Ledger, A3, A6, Photo 4" × 6", Photo L 3.5" × 5", Photo 2L 5" × 7"
2-sided	■ Paper Type: Plain paper ■ Paper Size: Letter, A4, A5, Executive
Print Speed ⁴	

¹ When the Borderless feature is set to On.

² See *Paper type and size for each operation* on page 31.

³ When printing on Ledger size paper.

⁴ For detailed specifications visit <http://www.brother.com/>.

Interfaces

USB ^{1 2}	Use a USB 2.0 interface cable that is no longer than 6 feet (2 m).
LAN ³	Use an Ethernet UTP cable category 5 or greater.
Wireless LAN	IEEE 802.11b/g/n (Infrastructure Mode/Ad-hoc Mode) IEEE 802.11g/n (Wi-Fi Direct™)

¹ Your machine has a USB 2.0 Hi-Speed interface. The machine can also be connected to a computer that has a USB 1.1 interface.

² Third party USB ports are not supported.

³ See *Network* on page 165.
See Network User's Guide: *Supported protocols and security features*.

Network

NOTE

For more information about the Network specifications, see the Network User's Guide.

You can connect your machine to a network for Network Printing, Network Scanning, PC Fax Send, PC Fax Receive (Windows[®] only), Remote Setup, and access photos from PhotoCapture Center[™] ¹. Also included is Brother BRAdmin Light ² Network Management software.

Wireless Network Security	SSID (32 characters), WEP 64/128 bit, WPA-PSK (TKIP/AES), WPA2-PSK (AES)	
Wireless Setup Support Utility	AOSS[™]	Yes
	WPS	Yes

¹ See the Computer Requirements chart on page 166.

² (Windows[®]) If you require more advanced printer management, use the latest Brother BRAdmin Professional utility version that is available as a download from <http://solutions.brother.com/>.

Computer requirements

SUPPORTED OPERATING SYSTEMS AND SOFTWARE FUNCTIONS								
Computer Platform & Operating System Version		PC Interface			Processor	Hard Disk Space to install		
		USB ²	10/100 Base-TX (Ethernet)	Wireless 802.11b/g/n		For Drivers	For Applications	
Windows [®] Operating System	Windows [®] XP Home ^{1 4}	Printing PC Fax ³ Scanning Removable Disk ⁵			32bit (x86) or 64bit (x64) processor	150 MB	1 GB	
	Windows [®] XP Professional ^{1 4}							
	Windows Vista [®] ^{1 4}					500 MB	1.3 GB	
	Windows [®] 7 ^{1 4}					650 MB		
	Windows Server [®] 2003	N/A	Printing			64bit (x64) processor	50 MB	N/A
	Windows Server [®] 2003 R2							
	Windows Server [®] 2008							
	Windows Server [®] 2008 R2							
Macintosh Operating System	Mac OS X v10.5.8	Printing PC Fax (Send) ³ Scanning			PowerPC G4/G5 or Intel [®] Processor	80 MB	550 MB	
	Mac OS X v10.6.x							Removable Disk ⁵
	Mac OS X v10.7.x							
<p>Conditions:</p> <p>¹ For WIA, 1200 × 1200 resolution. Brother Scanner Utility enables to enhance up to 19200 × 19200 dpi.</p> <p>² Third party USB ports are not supported.</p> <p>³ PC Fax supports black and white only.</p> <p>⁴ PaperPort™ 12SE supports Windows[®] XP Home (SP3 or greater), XP Professional (SP3 or greater), XP Professional x64 Edition (SP2 or greater), Windows Vista[®] (SP2 or greater) and Windows[®] 7.</p> <p>⁵ Removable disk is a function of PhotoCapture Center™.</p>								
<p>For the latest driver updates, visit us at (in USA) http://www.brother.com/ (in Canada) http://www.brother.ca/</p> <p>All trademarks, brand and product names are the property of their respective companies.</p>								

Consumable items

Ink	The machine uses individual Black, Yellow, Cyan and Magenta ink cartridges that are separate from the print head assembly.
Service Life of Ink Cartridge	Starter ink cartridges are in the box. The first time you install the ink cartridges the machine will use extra ink to fill the ink delivery tubes. This is a one-time process that enables high quality printing. Afterward, replacement ink cartridges will print the specified number of pages. Starter cartridge yield is approx. 65% of the yield of the LC103 replacement cartridges.
Replacement Consumables	<p><Super High Yield Black> LC107BK <Super High Yield Yellow> LC105Y <Super High Yield Cyan> LC105C <Super High Yield Magenta> LC105M</p> <p>Black, Yellow, Cyan and Magenta - Approximately 1,200 pages ¹</p> <p><High Yield Black> LC103BK <High Yield Yellow> LC103Y <High Yield Cyan> LC103C <High Yield Magenta> LC103M</p> <p>Black, Yellow, Cyan and Magenta - Approximately 600 pages ¹</p> <p>¹ Approx. cartridge yield is declared in accordance with ISO/IEC 24711</p> <p>For more information about the replacement consumables, visit us at www.brother.com/pageyield/.</p>

What is Innobella™?

Innobella™ is a range of genuine consumables offered by Brother. The name "Innobella™" derives from the words "Innovation" and "Bella" (meaning "Beautiful" in Italian) and is a representation of the "innovative" technology providing you with "beautiful" and "long lasting" print results.



When you print photo images, Brother recommends Innobella™ glossy photo paper (BP71 series) for high quality. Brilliant prints are made easier with Innobella™ Ink and paper.

E

Index

A	
<hr/>	
Accessories and supplies	ii
Address Book	
Groups	
changing	57
Speed Dial	
changing	57
deleting	57
setting up	56
using	55
ADF (automatic document feeder)	34
Answering machine (TAD)	50
connecting	51
Apple Macintosh	
See Software User's Guide.	
Automatic	
fax receive	41
Easy Receive	45
B	
<hr/>	
Brother	
accessories and supplies	ii
Brother numbers	i
CreativeCenter	4
Customer Service	i
FAQs (frequently asked questions)	i
Notice-Disclaimer	iv
product support	i
service centers	ii
Solutions Center	i
C	
<hr/>	
Cleaning	
print head	78
scanner	77
Connecting	
external TAD	
(answering machine)	50, 51
external telephone	52
Consumable items	167
Control panel overview	6
ControlCenter	
See Software User's Guide.	
Copy	
paper size	59
paper type	59
Shortcuts	10, 11, 12
tray use	28
using ADF	34
using scanner glass	35
Cordless telephone (non-Brother)	53
Custom Ringing	47
Custom telephone features on a single line	111
D	
<hr/>	
Data Ident-A-Call	46
Dialing	
a pause	56
manual	55
Speed Dial	55
Distinctive Ring	47
setting ring pattern	48
turning off	49
Document	
loading	34, 35
E	
<hr/>	
Easy Receive	45
Envelopes	16, 17, 22, 31, 33
Error messages on Touchscreen	83
B&W Print Only	84
Cannot Detect	84
Cannot Print	85
Comm. Error	85
Cover is Open	85
Data Remaining	85
Document Jam	85
DR Mode in Use	85
Ink Absorber Full	86
Ink low	87
InkAbsorberNearFull	86
No Ink Cartridge	87
No Paper Fed	88
Not Registered	55, 88
Out of Fax Memory	88
Out of Memory	89
Paper Jam	89

Unable to Clean	90
Unable to Init.	90
Unable to Print	90
Unable to Scan	90
Wrong Paper	91
Wrong Tray Setting	91
Extension telephone, using	53
External telephone, connecting	52

F

Fax codes	
changing	54
Fax Receive Code	45, 53
Telephone Answer Code	53
using	53
Fax, from PC	
See Software User's Guide.	
Fax, stand-alone	
receiving	41
difficulties	108, 109
Easy Receive	45
F/T Ring Time, setting	44
from extension telephone	53
from external telephone	53
Ring Delay, setting	44
telephone line interference / VoIP	115
tray use	29
sending	37
change scanner glass size	38
color fax	39
difficulties	110
Shortcuts	10, 11, 12
telephone line interference / VoIP	115
Transmission Verification Report	39
Fax/Tel mode	
answering at extension telephones	53
Fax Receive Code	53
Ring Delay	44
Telephone Answer Code	53

G

Gray scale	158, 162
------------------	----------

H

Help	
Features tables	135
Settings tables	118
Touchscreen messages	117

I

Ident-A-Call	46
Ident-A-Ring	46
Ink cartridges	
ink dot counter	74
replacing	74
Innobella™	167

J

Jams	
document	93
paper	95

M

Macintosh	
See Software User's Guide.	
Maintenance, routine	
replacing ink cartridges	74
Manual	
dialing	55
receive	41
Manual feed slot	22
Memory Storage	117
Multi-line connections (PBX)	52

N

Network	
Printing	
See Network User's Guide.	
Scanning	
See Software User's Guide.	
Nuance™ PaperPort™ 12SE	
See Software User's Guide. See also Help in the PaperPort™ 12SE application.	

P

Paper	29, 156, 157
capacity	32, 33
loading	13, 16, 20
loading envelopes and postcards	16
loading Photo and	
Photo L paper	19, 22
printable area	26
size	27
size of document	34
type	27, 28, 31
Personalized Ring	47
Photo and Photo L paper	16, 19, 31, 32
PhotoCapture Center™	
from PC	
See Software User's Guide.	
MultiMedia Card	61
Preview photos	64
Print settings	
Quality	64
Printing	
all photos	64
Scan to Media	
change file name	65
SD Memory Card	61
SDHC Memory Card	61
SDXC Memory Card	61
specifications	160
Presto! PageManager	
See Software User's Guide. See also Help	
in the Presto! PageManager application.	
Print	
difficulties	103
printable area	26
resolution	163
specifications	163
Printing	
See Software User's Guide.	

R

Receive Mode	
External TAD	41
Fax Only	41
Fax/Tel	41
Manual	41
Redial/Pause	55
Remote Setup	
See Software User's Guide.	
Resolution	
copy	159
fax	158
print	163
scan	162
Ring Delay, setting	44
RingMaster	47

S

Scanning	
See Software User's Guide.	
Serial Number	
how to find	See inside front cover
Shortcuts	10
adding	11
changing	
Shortcut name	11
Copy	10, 11
deleting	12
Fax	10, 11
Scan	10, 11
using	12
SimpleBiz Fax & Alternative Number	
Ringing	46
Smart Ring	47
Speed Dial	
changing	57
deleting	57
setting up	56
using	55
Step-by-step Settings Tables	117

T

TAD (telephone answering device), external	41, 50
connecting	50, 51
Receive Mode	41
recording OGM	51
Teen Ring	46
Telephone line	
connections	51
difficulties	108
interference / VoIP	115
multi-line (PBX)	52
Text, entering	152
Touchscreen LCD	6
Transferring your faxes or Fax Journal report	92
Transparencies ...	29, 30, 31, 32, 33, 156, 157
Tray Select	60
Troubleshooting	
document jam	93
error messages on Touchscreen	83
if you are having difficulty	
copying	112
data entry	114
incoming calls	111
Network	113
paper handling	107
phone line or connections	108
PhotoCapture Center™	112
print quality	104
printing	103
printing received faxes	108
receiving faxes	109
scanning	112
software	113
maintenance messages on	
Touchscreen	83
paper jam	95

U

Unscannable area	36
------------------------	----

V

Voice Mail	46
------------------	----

W

Warranties are in the box	
Notice-Disclaimer	iv
Windows®	
See Software User's Guide.	
Wireless Network	
See Quick Setup Guide and Network User's Guide.	
World Wide Web	i

Brother International Corporation
200 Crossing Boulevard
P.O. Box 6911
Bridgewater, NJ 08807-0911 USA

Brother International Corporation (Canada) Ltd.
1 rue Hôtel de Ville,
Dollard-des-Ormeaux, QC, Canada H9B 3H6

brother®

Visit us on the World Wide Web
<http://www.brother.com/>

These machines are approved for use in the country of purchase only. Local Brother companies or their dealers will only support machines purchased in their own countries.



www.brotherearth.com