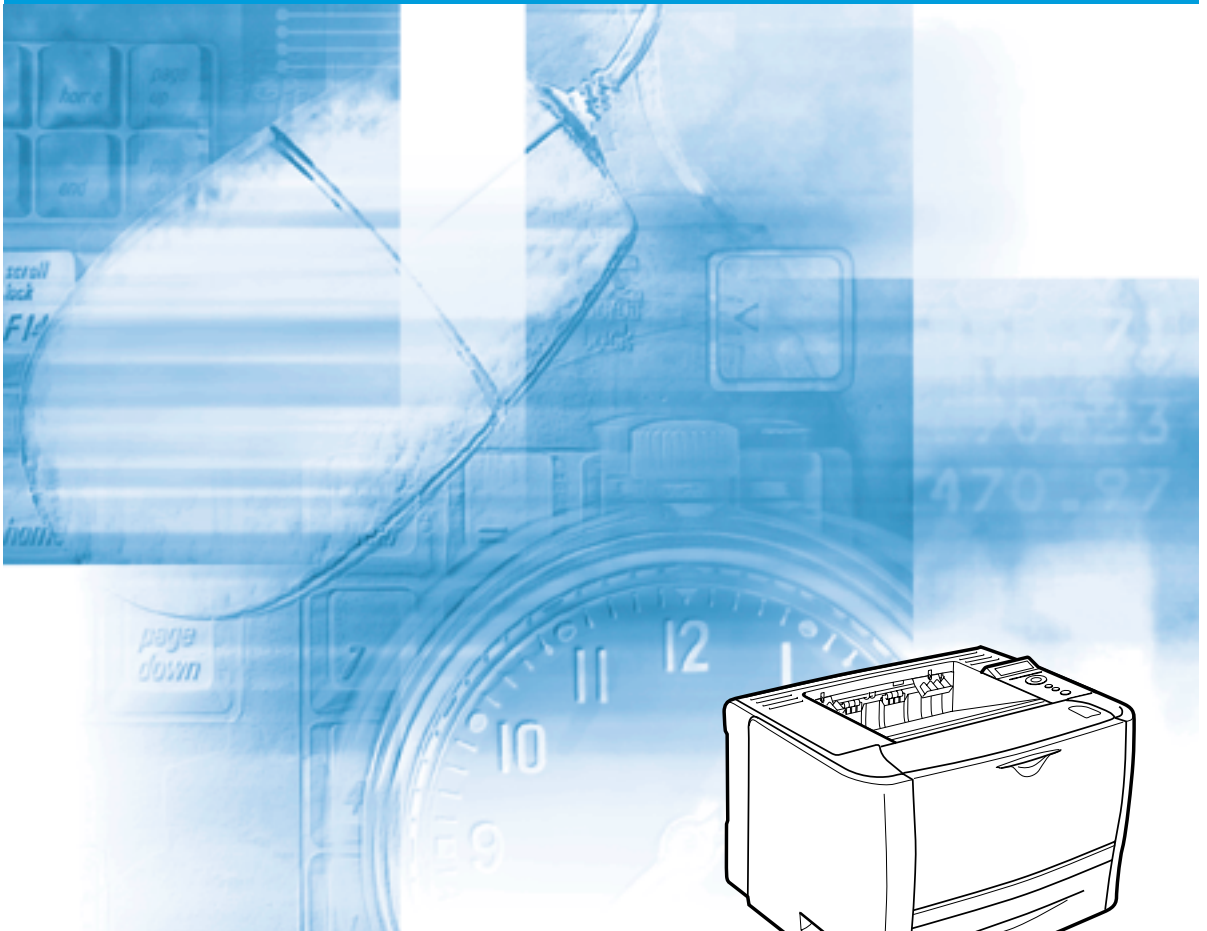


User's Guide



IMPORTANT:

Read this manual carefully before using your printer.
Save this manual for future reference.

LBP3370 Laser Printer User's Guide

Manuals for the Printer

The manuals for this printer are arranged as follows. Please refer to them for detailed information.



Guides with this symbol are PDF manuals included on the accompanying CD-ROM.

- **Installation**
- **Connecting to a Computer**
- **Basic Operations**
- **Troubleshooting**

User's Guide (This Manual)



- **Installing the Printer Driver**
- **Printing a Document**
- **Using the Supplied Software**

Driver Guide



- **Setting Up the Network Environment for Printing**
- **Managing the Printer in the Network Environment**

Network Guide



- **Operating/Setting the Printer from the Web Browser**

Remote UI Guide



To view the manuals in PDF format, Adobe Reader/Adobe Acrobat Reader is required. If Adobe Reader/Adobe Acrobat Reader is not installed on your system, please download it from the Adobe Systems Incorporated website.



How This Manual Is Organized

Chapter 1 Before You Start

Chapter 2 Installing the Printer

Chapter 3 Using the Printer

Chapter 4 Paper Loading and Output Tray

Chapter 5 The Printing Environment

Chapter 6 Printing Environment Settings

Chapter 7 Routine Maintenance

Chapter 8 Troubleshooting

Chapter 9 Installing the Optional Accessories

Chapter 10 Appendix

Considerable effort has been made to ensure that this manual is free of inaccuracies and omissions. However, as we are constantly improving our products, if you need an exact specification, please contact Canon.

Contents

Preface	viii
How To Use This Manual	viii
Symbols Used in This Manual	viii
Keys and Buttons Used in This Manual	viii
Illustrations Used in This Manual	ix
Abbreviations Used in This Manual	ix
Legal Notices	x
Product Name	x
EMC Directive (220 - 240 V model)	x
Laser Safety	x
International Energy Star-Program	xi
WEEE Directive	xii
License Notice	xii
IPv6 Ready Logo	xii
Trademarks	xii
Copyright	xiii
Disclaimers	xiv
Legal Limitations on the Usage of Your Product and the Use of Images	xiv
Important Safety Instructions	xv
Installation	xv
Power Supply	xvii
Handling	xviii
Maintenance and Inspections	xx
Consumables	xxi
Others	xxi

Chapter 1 Before You Start

Features and Benefits	1-2
User Manual CD-ROM Menu	1-4
System Configuration Requirements for Using User Manual CD-ROM	1-4
Using the User Manual CD-ROM Menu	1-5
Parts and Their Functions	1-6
Printer Unit	1-6
Front View	1-6
Rear View	1-7
Inner View	1-8
Control Panel	1-9
Display	1-11

Optional Accessories	1-12
Paper Feeder	1-12

Chapter 2 Installing the Printer

Installation Procedure	2-2
Installation Site	2-3
Installation Environment	2-3
Temperature/Humidity Conditions	2-3
Power Supply Requirements	2-4
Installation Requirements	2-4
Installation Space	2-5
Required Peripheral Space	2-5
Foot Positions	2-6
Confirming the Contents of the Box	2-8
Carrying the Printer to the Installation Site and Removing the Packing Materials on the Outside of the Printer	2-10
Removing the Packing Materials Inside the Printer and Installing the Toner Cartridge	2-14
Precautions on Installing the Toner Cartridge	2-14
Installing the Toner Cartridge	2-15
Removing the Packing Materials of the Paper Cassette and Loading Paper ..	2-23
Connecting the Cables	2-26
Connecting the Power Cord	2-26
Connecting to a Computer	2-28
Using a LAN Cable	2-28
Using a USB Cable	2-30
Turning the Printer ON and Checking the Printer Operation	2-33
Turning the Printer ON	2-33
Registering a Paper Size	2-34
Checking the Operations with Configuration Page Print	2-35
Printing Configuration Page Print	2-35
Contents of Configuration Page Print	2-36
When the Printer Does Not Operate Properly	2-37
Changing the Language Used in the Display	2-38
Turning the Printer OFF	2-39

Chapter 3 Using the Printer

Power Saving (Power Save Mode)	3-2
Shutting Down the Printer	3-4
Online and Offline	3-6
Placing the Printer Online	3-6
Placing the Printer Offline	3-7

Direct Print	3-8
Direct Print	3-8
Direct Printing from the Remote UI	3-9
Direct Printing from Command Prompt	3-14
Print Mode	3-15
Canceling a Job	3-16
Outputting Data (Forced Output)	3-16
Canceling a Job (Cancel Job)	3-17
Canceling the Process Currently Being Performed (Soft Reset)	3-18
Canceling All the Jobs (Hard Reset)	3-19

Chapter 4 Paper Loading and Output Tray

Paper Requirements	4-2
Usable Paper	4-2
Paper Size	4-2
Paper Type	4-3
Printable Area	4-6
Unusable Paper	4-7
Storing Paper	4-8
Storing Printouts	4-9
Paper Source	4-10
Paper Source Type	4-10
Paper Capacity for Paper Source	4-10
Selecting a Paper Source	4-11
Precautions for Handling the Multi-purpose Tray or Paper Cassette	4-12
Output Trays	4-13
Output Tray Types	4-13
Face-down Output Tray	4-13
Face-up Output Slot	4-14
Paper Capacity of the Output Trays	4-15
Selecting an Output Tray	4-16
Switching to the Face-up Output Slot	4-16
Switching to the Face-down Output Tray	4-16
Loading Paper in the Paper Cassette	4-17
Precautions on Loading Paper	4-18
Loading Standard Size Paper	4-20
Loading Custom Size Paper	4-25
Specifying the Size of the Paper in the Paper Cassette	4-30
Loading Paper in the Multi-purpose Tray	4-33
Loading Paper (Other than Envelopes)	4-35
Loading Envelopes	4-39
Specifying the Size of the Paper in the Multi-purpose Tray	4-44

2-sided Printing	4-47
Switching Between Automatic 2-sided Printing and 1-sided Printing.	4-48
Setting the Paper Size Switch Lever	4-49
Paper Loading Orientation	4-51

Chapter 5 The Printing Environment

Menu Functions	5-2
Menu Functions	5-2
Setting Priority	5-3
Menu Categories	5-4
Printer Status to Enter the Menu Operation	5-4
How to Use the Operation Keys	5-5
How to View the Display	5-7
Menu Structure	5-7
How to View the Display	5-7
Menu Functions and Menu Operation	5-9
SETUP Menu	5-9
SETUP Menu Functions	5-9
Operating Procedure for the SETUP Menu	5-9
UTILITY Menu	5-11
UTILITY Menu Functions	5-11
Operating Procedure for the UTILITY Menu	5-11
JOB Menu	5-12
JOB Menu Functions	5-12
Operating Procedure for the JOB Menu	5-12
RESET Menu	5-13
RESET Menu Functions	5-13
Operating Procedure for the RESET Menu	5-13
CANCEL JOB Menu	5-14
CANCEL JOB Menu Functions	5-14
Operating Procedure for the CANCEL JOB Menu	5-14
SELECT FEEDER Menu	5-15
SELECT FEEDER Menu Functions	5-15
Operating Procedure for the SELECT FEEDER Menu	5-15
Initializing the SETUP Menu	5-17

Chapter 6 Printing Environment Settings

Setting Items	6-2
SETUP Menu	6-2
UTILITY Menu	6-9
JOB Menu	6-9
RESET Menu	6-9
SELECT FEEDER Menu	6-10

SETUP Menu Settings	6-11
CONTROL MENU Options	6-11
FEEDER MENU Options	6-14
LAYOUT MENU Options	6-20
QUALITY MENU Options	6-24
INTERFACE MENU Options	6-27
PRINT MODE Options	6-36
USER MAIN. Options	6-37
PCL SETUP Options	6-40
UFR II SETUP Options	6-45
IMAGING SETUP Options	6-45
UTILITY Menu Settings	6-48
JOB Menu Settings	6-50
RESET Menu Settings	6-51
SELECT FEEDER Menu Settings	6-53

Chapter 7 Routine Maintenance

Replacing the Toner Cartridge	7-2
Precautions on Replacing the Toner Cartridge	7-2
Before Replacing the Toner Cartridge	7-3
Replacing the Toner Cartridge	7-8
Precautions for Handling Toner Cartridges	7-14
Storing Toner Cartridges	7-16
Adjusting the Print Density	7-18
Cleaning the Fixing Roller	7-19
Adjusting the Printing Position	7-22
Checking the Printing Position	7-22
Adjusting the Printing Position	7-24
Cleaning the Outside of the Printer	7-28
Moving the Printer	7-31
Handling the Printer	7-37

Chapter 8 Troubleshooting

Troubleshooting Flowchart	8-2
Paper Jams	8-4
Precautions on Clearing Paper Jams	8-4
Paper Jam Area	8-7
Procedure for Clearing Paper Jams	8-8
Message List	8-26
Service Call Display	8-36

When You Cannot Obtain Appropriate Printout Results	8-38
Problems with the Power or Printer Operation	8-38
Problems with the Printout Results	8-41
Print Quality Problems	8-45

Chapter 9 Installing the Optional Accessories

Installing the Paper Feeder	9-2
Moving the Printer	9-3
Removing the Packing Materials and Installing the Paper Feeder	9-7

Chapter 10 Appendix

The Lists Common to All the Settings in the Print Mode	10-2
The Lists Common to Certain Settings in the Print Mode	10-5
Typeface Samples	10-6
Scalable Fonts (PCL)	10-6
Bitmapped Fonts (PCL)	10-7
Symbol Sets Supported	10-8
Character Code Tables	10-8
ISO Substitution Tables	10-27
Specifications	10-31
Hardware Specifications	10-31
Controller Specifications	10-33
Software Specifications	10-34
Dimensions of Each Part	10-35
Index	10-37


Preface


Thank you for purchasing the Canon LBP3370.
Please read this manual thoroughly before operating the printer in order to familiarize yourself with its capabilities, and to make the most of its many functions.
After reading this manual, store it in a safe place for future reference.


How To Use This Manual


Symbols Used in This Manual

The following symbols are used in this manual to explain procedures, restrictions, handling precautions, and instructions that should be observed for safety.

 **WARNING** Indicates a warning concerning operations that may lead to death or injury to persons if not performed correctly.
In order to use the printer safely, always pay attention to these warnings.

 **CAUTION** Indicates a caution concerning operations that may lead to injury to persons, or damage to property if not performed correctly.
In order to use the printer safely, always pay attention to these cautions.

 **IMPORTANT** Indicates operational requirements and restrictions.
Be sure to read these items carefully in order to operate the printer correctly, and to avoid damage to the printer.


 **NOTE** Indicates a clarification of an operation, or contains additional explanations for a procedure.
Reading these notes is highly recommended.

Keys and Buttons Used in This Manual

The following button names are a few examples of how keys and buttons to be pressed are expressed in this manual:

- Keys on the Control Panel: Key icon + (Key Name)

Example:  (Online)

 (Utility)

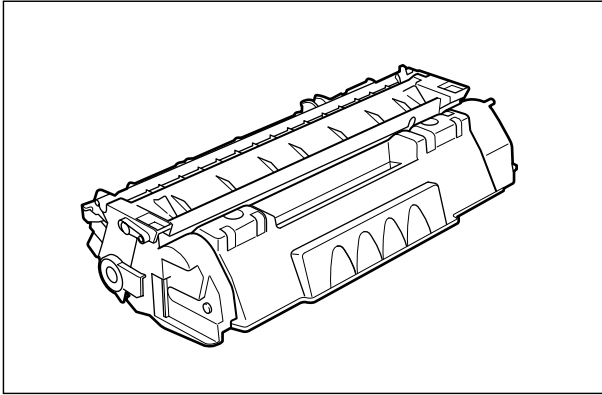
- Buttons on Computer Operation Screen : [Button Name]

Example: [OK]

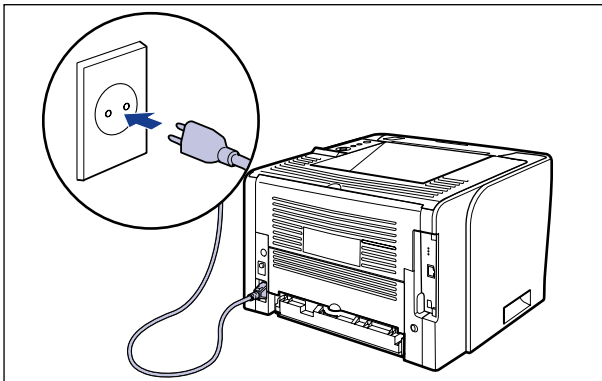
[Reset]

Illustrations Used in This Manual

- The toner cartridge used for the illustrations in this manual is the one that can print approximately 3,000 pages (Canon Genuine Cartridge).



- Although the power cord used in this manual is as the one in the following illustration, the form of the power cord may differ depending on the country or region.



Abbreviations Used in This Manual

In this manual, product names and model names are abbreviated as follows:

Microsoft Windows 2000:	Windows 2000
Microsoft Windows XP:	Windows XP
Microsoft Windows Server 2003:	Windows Server 2003
Microsoft Windows Vista operating system:	Windows Vista
Microsoft Windows operating system:	Windows

Legal Notices

Product Name

Safety regulations require the product's name to be registered.

In some regions where this product is sold, the following name(s) in () may be registered instead.


LBP3370 (F151900)

EMC Directive (220 - 240 V model)

"This equipment has been tested in a typical system to comply with the technical requirements of EMC Directive."

- Use of shielded cable is necessary to comply with the technical requirements of EMC Directive.

The product is in conformity with the EMC directive at nominal mains input 230 V, 50 Hz although the rated input of the product is 220 - 240 V, 50/60 Hz.

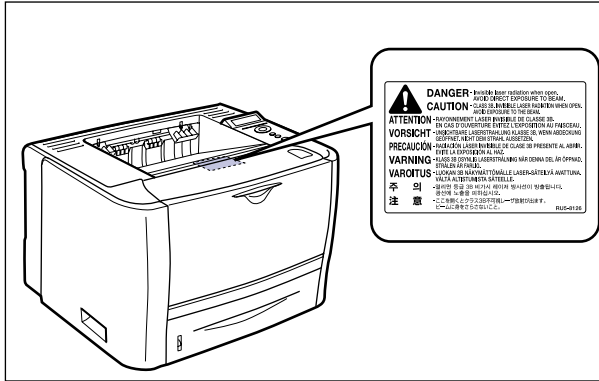
C-tick marking  on the rating label means that we declare the product is in conformity with the relevant requirements at nominal mains input 230 V, 50 Hz although the rated input of the product is 220 - 240 V, 50/60 Hz.

Laser Safety

This product complies with 21 CFR Chapter 1 Subchapter J as a Class I laser product under the U.S. Department of Health and Human Services (DHHS) Radiation Performance Standard according to the Radiation Control for Health and Safety Act of 1968. Also, this product is certified as a Class 1 laser product under IEC60825-1:1993 and EN60825-1:1994. This means that the product does not produce hazardous laser radiation.

Since radiation emitted inside the product is completely confined within protective housings and external covers, the laser beam cannot escape from the machine during any phase of user operation. Do not remove protective housings or external covers, except as directed by the equipment's manuals.

The label shown below is attached to the laser scanner unit inside the machine.



CLASS 1 LASER PRODUCT
LASER KLASSE 1
APPAREIL A RAYONNEMENT LASER DE CLASSE 1
APPARECCHIO LASER DI CLASSE 1
PRODUCTO LASER DE CLASE 1
APARELHO A LASER DE CLASSE 1

 **CAUTION**

Use of controls, adjustments, or performance of procedures other than those specified in this manual may result in hazardous radiation exposure.

International Energy Star-Program



As an ENERGY STAR Partner, Canon Inc. has determined that this product meets the ENERGY STAR Program for energy efficiency.

The International ENERGY STAR Office Equipment Program is an international program that promotes energy saving through the use of computers and other office equipment.

The program backs the development and dissemination of products with functions that effectively reduce energy consumption. It is an open system in which business proprietors can participate voluntarily.

The targeted products are office equipment, such as computers, displays, printers, facsimiles, and copiers. The standards and logos are uniform among participating nations.

WEEE Directive



European Union (and EEA) only.

This symbol indicates that this product is not to be disposed of with your household waste, according to the WEEE Directive (2002/96/EC) and your national law. This product should be handed over to a designated collection point, e.g., on an authorized one-for-one basis when you buy a new similar product or to an authorized collection site for recycling waste electrical and electronic equipment (EEE). Improper handling of this type of waste could have a possible negative impact on the environment and human health due to potentially hazardous substances that are generally associated with EEE. At the same time, your cooperation in the correct disposal of this product will contribute to the effective usage of natural resources. For more information about where you can drop off your waste equipment for recycling, please contact your local city office, waste authority, approved WEEE scheme or your household waste disposal service. For more information regarding return and recycling of WEEE products, please visit www.canon-europe.com/environment.

(EEA: Norway, Iceland and Liechtenstein)

License Notice

This product contains UFST (Universal Font Scaling Technology) under license from Agfa Corporation.

Copyright © 1997-2001 Agfa Monotype Corporation.

IPv6 Ready Logo



This machine has acquired IPv6 Ready Logo Phase-1, as established by the IPv6 Forum.

Trademarks

Canon, the Canon logo, LBP, and NetSpot are trademarks of Canon Inc.

Adobe, Adobe Acrobat, and Adobe Reader are trademarks of Adobe Systems Incorporated.

Apple, AppleTalk, Mac OS, Macintosh, and TrueType are trademarks of Apple Inc., registered in the U.S. and other countries.

PCL, PCL5, and PCL6 are trademarks of Hewlett-Packard Company.

Microsoft, Windows, and Windows Vista are trademarks or registered trademarks of Microsoft Corporation in the U.S. and/or other countries.

UNIX is a registered trademark of The Open Group in the United States and other countries.

Ethernet is a trademark of Xerox Corporation.

Concerning typeface credit, the actual names on a FONTS LIST for this machine may differ from those listed below.

CG and UFST are trademarks of Agfa Monotype Corporation or its affiliated companies and may be registered in some jurisdictions.

Marigold is trademark of AlphaOmega Typography, Inc.

Clarendon and Times are trademarks of Linotype-Hell AG and its subsidiaries. Univers is a trademark of Linotype-Hell AG and its subsidiaries and may be registered in some jurisdictions.

Coronet is a registered trademark of Ludlow Type Foundry.

Wingdings is a trademark of Microsoft Corporation.

Albertus, Arial and Times New Roman are trademarks of the Monotype Corporation plc., and may be registered in some jurisdictions.

CG Omega is a product of Agfa Corporation and CG Times, based on Times New Roman under license from the Monotype Corporation plc, is a product of Agfa Corporation.

Other product and company names herein may be the trademarks of their respective owners.

Copyright

Copyright 2007 by Canon Inc. All rights reserved.

No part of this publication may be reproduced or transmitted in any form or by any means, electronic or mechanical, including photocopying and recording, or by any information storage or retrieval system without the prior written permission of Canon Inc.

Disclaimers

The information in this manual is subject to change without notice.

CANON INC. MAKES NO WARRANTY OF ANY KIND WITH REGARD TO THIS MATERIAL, EITHER EXPRESS OR IMPLIED, EXCEPT AS PROVIDED HEREIN, INCLUDING WITHOUT LIMITATION, THEREOF, WARRANTIES AS TO MARKETABILITY, MERCHANTABILITY, FITNESS FOR A PARTICULAR PURPOSE OF USE OR AGAINST INFRINGEMENT OF ANY PATENT. CANON INC. SHALL NOT BE LIABLE FOR ANY DIRECT, INCIDENTAL, OR CONSEQUENTIAL DAMAGES OF ANY NATURE, OR LOSSES OR EXPENSES RESULTING FROM THE USE OF THIS MATERIAL.

Legal Limitations on the Usage of Your Product and the Use of Images

Using your product to scan, print or otherwise reproduce certain documents, and the use of such images as scanned, printed or otherwise reproduced by your product, may be prohibited by law and may result in criminal and/or civil liability. A non-exhaustive list of these documents is set forth below. This list is intended to be a guide only. If you are uncertain about the legality of using your product to scan, print or otherwise reproduce any particular document, and/or of the use of the images scanned, printed or otherwise reproduced, you should consult in advance with your legal advisor for guidance.

- Paper Money
- Money Orders
- Certificates of Deposit
- Postage Stamps (canceled or uncanceled)
- Identifying Badges or Insignias
- Selective Service or Draft Papers
- Checks or Drafts Issued by Governmental Agencies
- Motor Vehicle Licenses and Certificates of Title
- Travelers Checks
- Food Stamps
- Passports
- Immigration Papers
- Internal Revenue Stamps (canceled or uncanceled)
- Bonds or Other Certificates of Indebtedness
- Stock Certificates
- Copyrighted Works/Works of Art without Permission of Copyright Owner



Important Safety Instructions

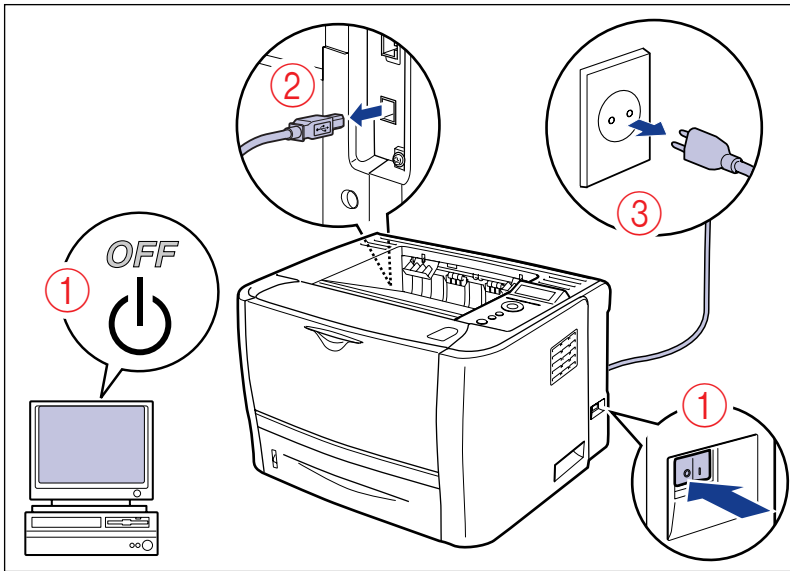
Please read these "Important Safety Instructions" thoroughly before operating the printer. As these instructions are intended to prevent injury to the user or other persons or destruction of property, always pay attention to these instructions. Also, since it may result in unexpected accidents or injuries, do not perform any operation unless otherwise specified in the manual. Improper operation or use of this machine could result in personal injury and/or damage requiring extensive repair that may not be covered under your Limited Warranty.

Installation

WARNING

- Do not install the printer near alcohol, paint thinner, or other flammable substances. If flammable substances come into contact with electrical parts inside the printer, it may result in a fire or electrical shock.
- Do not place the following items on the printer. If these items come into contact with a high-voltage area inside the printer, this may result in a fire or electrical shock. If these items are dropped or slipped inside the printer, immediately turn OFF the power switch ① and disconnect the USB cable ② if it is connected. Then, unplug the power plug from the AC power outlet ③ and contact your local authorized Canon dealer.
 - Necklaces and other metal objects

- Cups, vases, flowerpots, and other containers filled with water or liquids



⚠ CAUTION

- Do not install the printer in unstable locations, such as unsteady platforms or inclined floors, or in locations subject to excessive vibrations, as this may cause the printer to fall or tip over, resulting in personal injury.
- Never block the ventilation slots on the printer. The ventilation slots are provided for proper ventilation of working parts inside the printer. Never place the printer on a soft surface, such as a sofa or rug. Blocking the ventilation slots can cause the printer to overheat, resulting in a fire.
- Do not install the printer in the following locations, as this may result in a fire or electrical shock.
 - A damp or dusty location
 - A location exposed to smoke and steam such as cookeries and humidifiers
 - A location exposed to rain or snow
 - A location near water faucets or water
 - A location exposed to direct sunlight
 - A location subject to high temperatures
 - A location near open flames
- When installing the printer, gently lower the printer onto the floor or other machine to avoid catching your hands, as this may result in personal injury.
- When connecting the interface cable, connect it properly following the instructions in this manual. If not connected properly, this may result in malfunction or electrical shock.
- When moving the printer, follow the instructions in this manual to hold it correctly. Failure to do so may cause you to drop the printer, resulting in personal injury. (See "Moving the Printer," on p. 7-31)

Power Supply

WARNING

- Do not damage or modify the power cord. Also, do not place heavy objects on the power cord, or pull on or excessively bend it, as this could cause electrical damage and result in a fire or electrical shock.
- Keep the power cord away from a heat source; failure to do this may cause the power cord coating to melt, resulting in a fire or electrical shock.
- Do not plug or unplug the power plug with wet hands, as this may result in electrical shock.
- Do not plug the power cord to a multiplug power strip, as this may cause a fire or electrical shock.
- Do not bundle up or tie the power cord in a knot, as this may result in a fire or electrical shock.
- Insert the power plug completely into the AC power outlet, as failure to do so may result in a fire or electrical shock.
- Do not use power cords other than the power cord provided, as this may result in a fire or electrical shock.
- As a general rule, do not use extension cords or plug extension cords to a multiple power strip. If extension cords must be used or plugged to a multiple power strip, however, use them observing the following points on user's own authority. If you use extension cords improperly, this may result in a fire or electrical shock.
 - Do not connect one extension cord to another.
 - Make sure that the voltage of the power plug is the one indicated in the rating label (attached on the back of the printer) when you use the printer.
 - Use an extension cord that allows the current value greater than the necessary one indicated in the rating label (attached on the back of the printer).
 - When you use an extension cord, untie the cord binding, and insert the power plug completely into the extension cord outlet to ensure a firm connection between the power cord and the extension cord.
 - Periodically check that the extension cord is not overheated.

CAUTION

- Do not use power supplies with voltages other than those specified herein, as this may result in a fire or electrical shock.
- Always grasp the plug when unplugging the power cord. Pulling on the power cord may expose or snap the core wire, or otherwise damage the power cord. If the power cord is damaged, this could cause current to leak, resulting in a fire or electrical shock.
- Leave sufficient space around the power plug so that it can be unplugged easily. If objects are placed around the power plug, you will be unable to unplug it in an emergency.

Handling

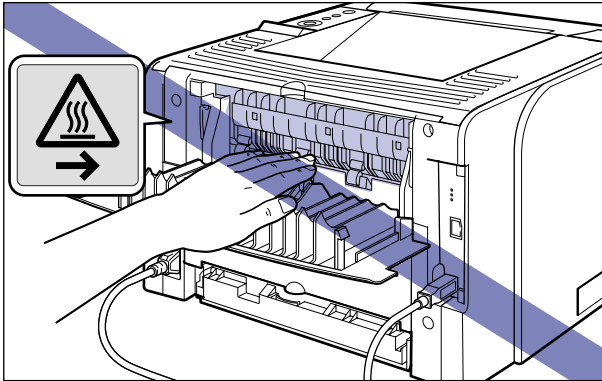
WARNING

- Do not attempt to disassemble or modify the printer. There are high-temperature and high-voltage components inside the printer which may result in a fire or electrical shock.
- Electrical equipment can be hazardous if not used properly. To avoid injury, do not allow children access to the interior of any electrical product and do not let them touch any electrical contacts or gears that are exposed.
- If the printer makes strange noises, or emits smoke, heat or unusual smells, immediately turn OFF the printer and computer, and disconnect the USB cable if it is connected. Then, unplug the power plug from the AC power outlet and contact your local authorized Canon dealer. Otherwise, this may result in a fire or electrical shock.
- Do not use highly flammable sprays near the printer. If gas from these sprays comes into contact with the electrical components inside the printer, it may result in a fire or electrical shock.
- Always turn OFF the printer and computer, and disconnect the interface cables when moving the printer. Otherwise, the power cord or interface cables may be damaged, resulting in a fire or electrical shock.
- Do not drop paper clips, staples, or other metal objects inside the printer. Also, do not spill water, liquids, or flammable substances (alcohol, benzene, paint thinner, etc.) inside the printer. If these items come into contact with a high-voltage area inside the printer, this may result in a fire or electrical shock. If these items are dropped or slipped inside the printer, immediately turn OFF the printer and computer, and disconnect the USB cable if it is connected. Then, unplug the power plug from the AC power outlet and contact your local authorized Canon dealer.
- When plugging or unplugging the USB cable when the power plug is plugged in an AC power outlet, do not touch the metal part of the connector, as this may result in electrical shock.

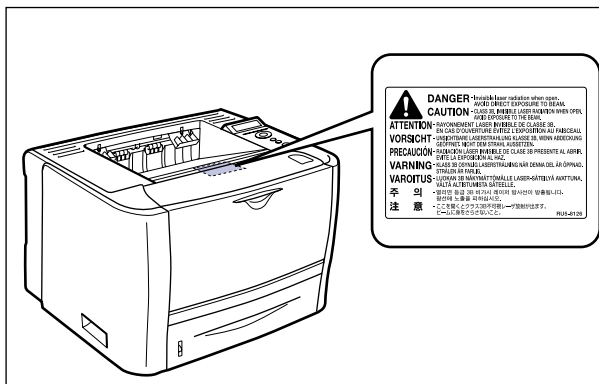
CAUTION

- Do not place heavy objects on the printer, as they may tip over or fall resulting in personal injury.
- Turn OFF the power switch for safety when the printer will not be used for a long period of time such as overnight. Also, turn OFF the power switch and unplug the power plug for safety when the printer will not be used for an extended period of time such as during consecutive holidays.
- Keep your hands or clothing away from the roller in the output area. Even if the printer is not printing, sudden rotation of the roller may catch your hands or clothing, resulting in personal injury.

- The face-up output slot and its surroundings become hot during or immediately after using the printer. Do not touch the face-up output slot and its surroundings, as doing so may result in burns.



- The paper may be hot immediately after being output. Be careful when removing the paper as well as when aligning the removed paper, especially after printing continuously. Otherwise, this may result in burns.
- The laser beam can be harmful to human bodies. Since radiation emitted inside the printer is completely confined within protective housings and external covers, the laser beam cannot escape from the printer during any phase of user operation. Read the following remarks and instructions for safety.
 - Never open covers other than those instructed in this manual.
 - Do not remove the caution label attached to the cover of the laser scanner unit.



- If the laser beam escapes from the printer, exposure may cause serious damage to your eyes.

Maintenance and Inspections

WARNING

- When cleaning the printer, turn OFF the printer and computer, remove the USB cable, and then unplug the power plug. Failure to observe these steps may result in a fire or electrical shock.
- Unplug the power plug from the AC power outlet regularly, and clean the area around the base of the power plug's metal pins and the AC power outlet with a dry cloth to ensure that all dust and grime is removed. If the power plug is plugged for a long period of time in a damp, dusty, or smoky location, dust can build up around the power plug and become damp. This may cause a short circuit and result in a fire.
- Clean the printer using a slightly dampened cloth with water or a mild detergent diluted with water. Do not use alcohol, benzene, paint thinner, or other flammable substances. If flammable substances come into contact with electrical parts inside the printer, it may result in a fire or electrical shock.
- There are some areas inside the printer which are subject to high-voltages. When removing jammed paper or when inspecting the inside of the printer, do not allow necklaces, bracelets, or other metal objects to touch the inside of the printer, as this may result in burns or electrical shock.
- Do not throw a used toner cartridge into open flames, as this may cause the toner remaining inside the cartridge to ignite, resulting in burns or a fire.

CAUTION

- Never attempt to service this printer yourself, except as explained in this manual. There are no user serviceable parts inside the printer. Adjust only those controls that are covered in the operating instructions. Improper adjustment could result in personal injury and/or damage requiring extensive repair that may not be covered under your Limited Warranty.
- The fixing unit and its surroundings inside the printer become hot during use. When removing jammed paper or when inspecting the inside of the printer, do not touch the fixing unit and its surroundings, as doing so may result in burns or electrical shock.
- When removing jammed paper or replacing a toner cartridge, take care not to allow the toner to come into contact with your hands or clothing, as this will dirty your hands or clothing. If they become dirty, wash them immediately with cold water. Washing with warm water will set the toner and make it impossible to remove the toner stains.
- When removing paper jammed inside the printer, remove the jammed paper gently to prevent the toner on the paper from scattering and getting into your eyes or mouth. If the toner gets into your eyes or mouth, wash them immediately with cold water and immediately consult a physician.
- When loading paper or removing jammed paper, take care not to cut your hands with the edges of the paper.
- Remove the toner cartridge carefully to prevent the toner from scattering and getting into your eyes or mouth. If the toner gets into your eyes or mouth, wash them immediately with cold water and immediately consult a physician.

- Do not attempt to disassemble the toner cartridge. The toner may scatter and get into your eyes or mouth. If the toner gets into your eyes or mouth, wash them immediately with cold water and immediately consult a physician.
- If toner leaks from the toner cartridge, be careful not to inhale the toner or allow it to come into contact with your skin directly. If the toner comes into contact with your skin, wash it out with soap. If you have an irritation on your skin, or if you inhaled the toner, immediately consult a physician.

Consumables

WARNING

- Do not throw a used toner cartridge into open flames, as this may cause toner remaining inside the cartridge to ignite and result in burns or a fire.
- Do not store a toner cartridge or copy paper in places exposed to open flames, as this may cause the toner or paper to ignite and result in burns or a fire.
- Place the toner cartridge into a plastic bag to prevent its toner from scattering, and then dispose of the toner cartridge according to local regulations.

CAUTION

- Keep toner cartridges and other consumables out of the reach of small children. If these items are ingested, consult a physician immediately.
- Do not attempt to disassemble the toner cartridge. The toner may scatter and get into your eyes or mouth. If the toner gets into your eyes or mouth, wash them immediately with cold water and immediately consult a physician.
- If toner leaks from the toner cartridge, be careful not to inhale the toner or allow it to come into contact with your skin directly. If the toner comes into contact with your skin, wash it out with soap. If you have an irritation on your skin, or if you inhaled the toner, immediately consult a physician.

Others

WARNING

The toner cartridge generates a low level magnetic field. If you use a cardiac pacemaker and feel abnormalities, please move away from the toner cartridge and consult your physician immediately.

Before You Start

1

CHAPTER

This chapter describes the major features and basic functions of this printer.

Features and Benefits	1-2
User Manual CD-ROM Menu	1-4
System Configuration Requirements for Using User Manual CD-ROM	1-4
Using the User Manual CD-ROM Menu	1-5
Parts and Their Functions	1-6
Printer Unit	1-6
Control Panel	1-9
Display	1-11
Optional Accessories	1-12
Paper Feeder	1-12

Features and Benefits

This chapter describes the major features.

■ High-speed Printing

By mounting a newly-developed high-speed controller on the 26 ppm high-speed engine, LBP3370 achieves super high-speed data processing. By improving the "TypeWing" function that enables a quick start with the 0 second warm-up time (approximately 9 seconds or less from power ON) and high-speed output of the TrueType fonts, LBP3370 has increased the printing speed on fast printing and multiple page printing as well as copy mode printing that achieves fine high-speed printing.

■ Superior Print Quality

High resolution printing at 600 dpi (dots per inch) is further enhanced by Automatic Image Refinement to smooth jagged edges in addition to using super fine toner.

Combined, these will ensure superior reproduction quality of text and graphics.

■ Various Paper Handling Options

This printer is supplied with the 50-sheet multi-purpose tray and 250-sheet paper cassette, enabling feeding of up to 300 sheets of paper. Also, the optional 250-sheet paper feeder is available, enabling continuous automatic feeding of up to 550 sheets of paper in three different sizes.

Although LBP3370 is fundamentally designed to print A4 size or smaller, you can print A3 and B4 size documents on A4 size paper by using the function to reduce the standard paper sizes. As you can also print irregular, custom size paper, this printer supports a wide array of uses.

■ Network Printer

Equipped with a 10BASE-T/100BASE-TX print server as standard. Because LBP3370 compatible with the TCP/IP v. 4, TCP/IP v. 6, and AppleTalk protocols, you can instantly use this printer as a network printer that supports various kinds of host/operating system environments. Also the high-speed DMA transfer that directly transfers data to the printer memory and automatic interface switch function enable fine printing process in a network environment.

NOTE

For details on the operating systems that the print server equipped with this printer support and the configuration procedures, see "Network Guide".

■ Software Compatibility and Language Switching

The printer supports Hewlett-Packard's PCL 5e/PCL 6 printer languages, which enables the printer to work with a wide variety of software applications supporting PCL. This printer also supports UFR II. UFR II, a printing system compatible with the latest operating systems, distributes the printing process to a computer and printer, achieving a high-speed print output.

■ Duplex Unit Installed as Standard

LBP3370 is supplied with the duplex unit. Therefore, you can automatically perform 2-sided printing with paper (A4, Legal, and Letter size) loaded in the multi-purpose tray or paper cassette. By doing so, you can save paper and make the file space more efficient.

■ Energy Saving

The on-demand fusing technology of the printer provides improved energy efficiency.

Because of this power saving feature, the printer meets the guidelines for the International Energy Star Program.

■ Interface Features

The printer uses a USB port that supports Microsoft Plug & Play technology. It also comes with a print server as standard, being used as a network printer for Ethernet.

■ Typefaces

The printer comes with 45 scalable typefaces in 16 typeface families (Agfa 45 MicroType fonts), all compatible with application software supporting Microsoft Windows. In addition, 10 bitmapped typefaces of the Line Printer family are also included. The printer uses the Universal Font Scaling Technology (UFST) for outline fonts, provided under license from Agfa Monotype Corporation. 31 TrueType screen fonts are also included along with Canon Font Manager for easy management of installed fonts in Windows 2000/XP.

■ Printer Drivers and Utilities

LBP3370 is provided with the printer driver for PCL 5e/PCL 6 that supports Windows 2000/XP/Server 2003/Vista and UFR II Printer Driver that supports Windows 2000/XP/Server 2003/Vista and Mac OS X, allowing you to print from a various kinds of system environment.

Also, NetSpot Device Installer supplied with LBP3370 simplifies the management and settings of the printer on a network environment.



IMPORTANT

The supplied CD-ROM does not include the printer driver for Macintosh. Download the printer driver for Macintosh that supports this printer from the Canon website. If you cannot find the printer driver for Macintosh that supports this printer on the Canon website, contact your local authorized Canon dealer.

■ Remote UI Support

The printer supports a Remote UI function that allows you to control or monitor the status of the printer from a computer. (See Remote UI Guide.)

User Manual CD-ROM Menu

1

Before You Start

The User Manual CD-ROM Menu is software that enables you to select and view PDF Manuals included on the CD-ROM via your computer screen. Follow the instructions below to use the User Manual CD-ROM Menu.

System Configuration Requirements for Using User Manual CD-ROM

The User Manual CD-ROM Menu can be used in the following system environments.

	Windows	Macintosh
Operating System	Windows 2000 (Service Pack 3 or later) Windows XP (Service Pack 1a or later) Windows Server 2003 Windows Vista	Mac OS X
Memory	The memory required to run the above operating systems.	
Computer	A computer that can run the above operating systems.	
Display	A resolution of 1024 x 768 pixels or higher.	



IMPORTANT

Depending on the configuration of your computer, some functions may not operate correctly. If the PDF manual does not open from the CD-ROM Menu, open the PDF file directly from the [english] folder on the User Manual CD-ROM.

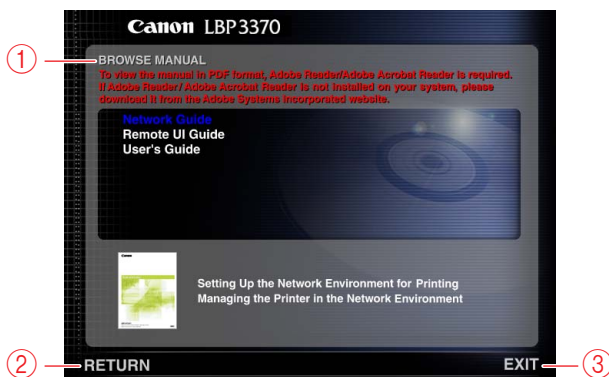
Using the User Manual CD-ROM Menu

This section describes how to use the CD-ROM Menu. When you insert the User Manual CD-ROM provided into the CD-ROM drive, the Language Selection screen is displayed. Clicking a language on this screen displays the following menu.

(The sample screenshot shown here is for Windows users.)

NOTE

For Macintosh users, double-click the [START] icon to start the CD-ROM Menu. The Language Selection screen is displayed.



① BROWSE MANUAL

You can read any of the listed guides by clicking on the desired guide. After clicking on the desired guide, Acrobat Reader starts, and the PDF manual is displayed.

② RETURN

Return to the Language Selection screen.

③ EXIT

Exit the CD-ROM menu.

Parts and Their Functions

This printer consists of components that perform various functions. This section describes the name and function of each part in order for you to use this printer properly to make full use of its functions.

Printer Unit

The following are the parts and functions of the printer unit.

⚠ CAUTION

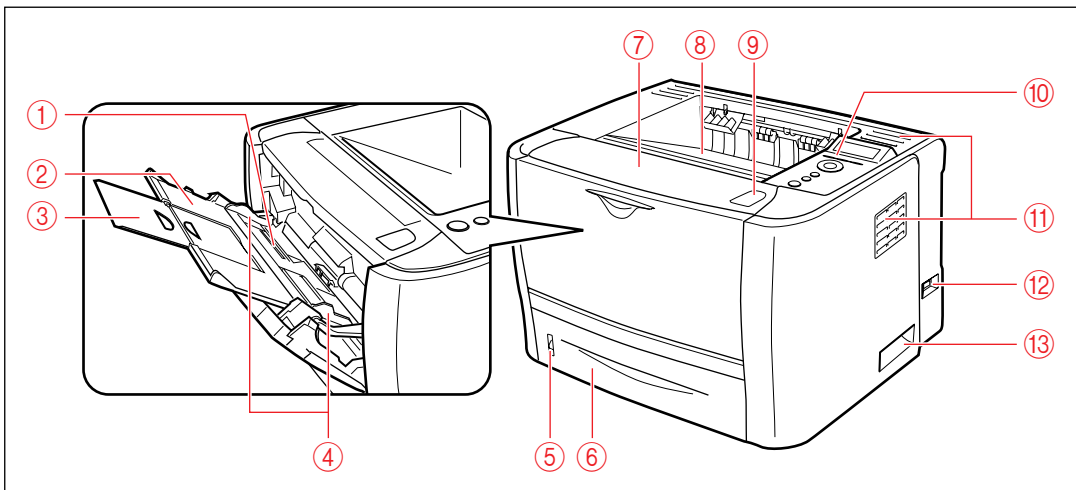
Never block the ventilation slots on the printer. The ventilation slots are provided for proper ventilation of working parts inside the printer. Blocking the ventilation slots can cause the printer to overheat, resulting in a fire.

Front View

The following are the parts on the front side of the printer and their functions.

✎ NOTE

Remove the film attached to the control panel before using the panel.



① Multi-purpose Tray

Load paper when feeding the paper from the multi-purpose tray. (See p. 4-33)

② Auxiliary Tray

Pulled out when loading paper in the multi-purpose tray. Be sure to pull out this auxiliary tray before loading the paper.

③ Tray Extension

Opened to prevent the paper from hanging out of the multi-purpose tray when loading long-size paper, such as A4.

④ Paper Guides

Adjust the position of the paper guides to the width of the paper loaded in the multi-purpose tray. You can load paper up to the load limit marks on this tray.

⑤ Paper Level Indicator

Shows the amount of paper remaining in the paper cassette.

If the paper cassette is full, the indicator is at the top. Because the indicator moves down as the amount of paper drops, this gives a rough estimate of the amount of paper remaining.

⑥ Paper Cassette

Can be loaded with up to 250 sheets of plain paper (of 80 g/m²). (See p. 4-17)

⑦ Front Cover

Opened when replacing the toner cartridge or removing jammed paper. (See p. 7-4)

⑧ Face-down Output Tray

Outputs paper with the printed side facing down. (See p. 4-13)

⑨ Open Button

Press this button to open the front cover.

⑩ Control Panel

Displays the printer status and allows you to specify the settings. (See p. 1-9)

⑪ Ventilation Slots

Cool the insides of the printer.

⑫ Power Switch

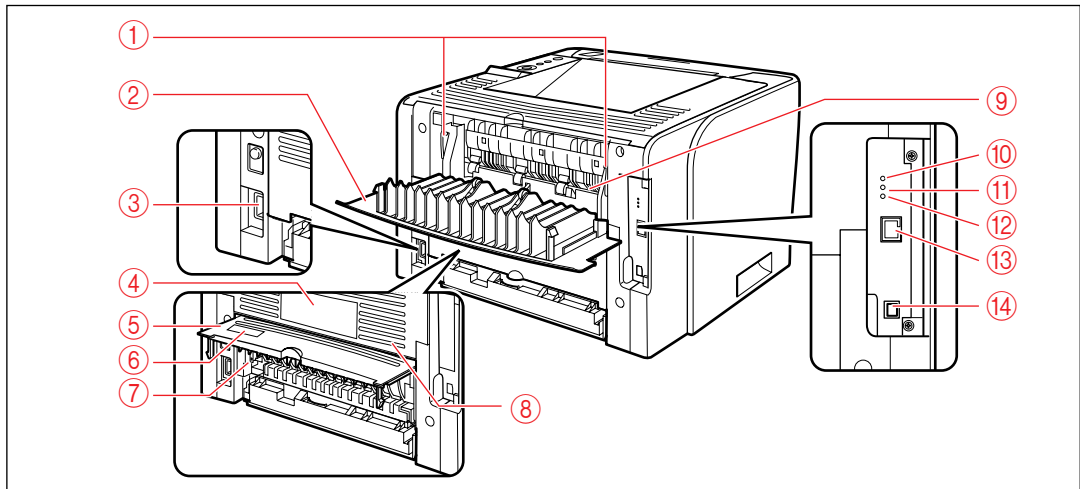
Turns the power of the printer ON/OFF. (See p. 2-33)

⑬ Lift Handles

Hold these handles when moving the printer. (See p. 7-33)

Rear View

The following are the parts on the rear side of the printer and their functions.

**① Pressure Release Levers**

Press down these levers when removing jammed paper. (See p. 8-10)

② Output Selection Cover

Open when using the face-up output slot or removing paper jammed in the output area. (See p. 4-16)

③ Power Socket

Connect the supplied power cord to this socket.

④ Rating Label

The current value indicated in this rating label shows the average power current consumption.

⑤ Duplex Unit Cover

Opened when specifying the size of paper for 2-sided printing or removing paper jammed in the duplex unit.

⑥ Serial No. Label

The serial number (Serial No.) for printer identification is indicated on this label. The number is required for receiving service or repairs.

⑦ Paper Size Switch Lever

Switch the lever according to the paper size for 2-sided printing when performing 2-sided printing. (See p. 4-49)

⑧ Ventilation Slots

Cool the insides of the printer.

⑨ Face-up Output Slot

Outputs paper with the printed side facing up. (See p. 4-14)

⑩ 100 Indicator (Green)

Comes on when the printer is connected to a network by 100BASE-TX.

⑪ 10 Indicator (Green)

Comes on when the printer is connected to a network by 10BASE-T.

⑫ TX/RX Indicator (Green)

Blinks while the print server is communicating.

⑬ LAN Connector

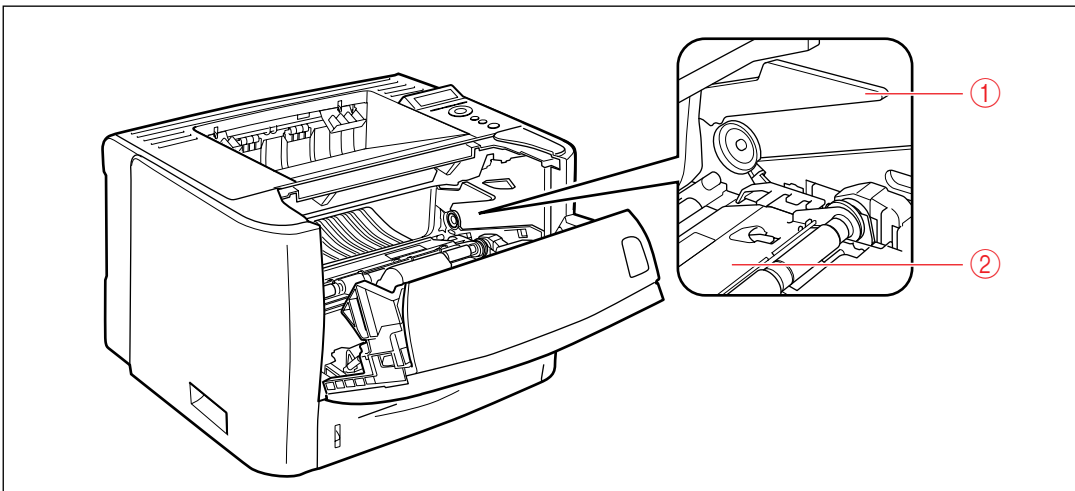
Connects to a 10BASE-T/100BASE-TX LAN cable.

⑭ USB Connector

Connected to the USB cable. Connect the other end of the cable to the USB port on the computer.

Inner View

The following are the parts inside the printer and their functions.

**① Toner Cartridge Guide**

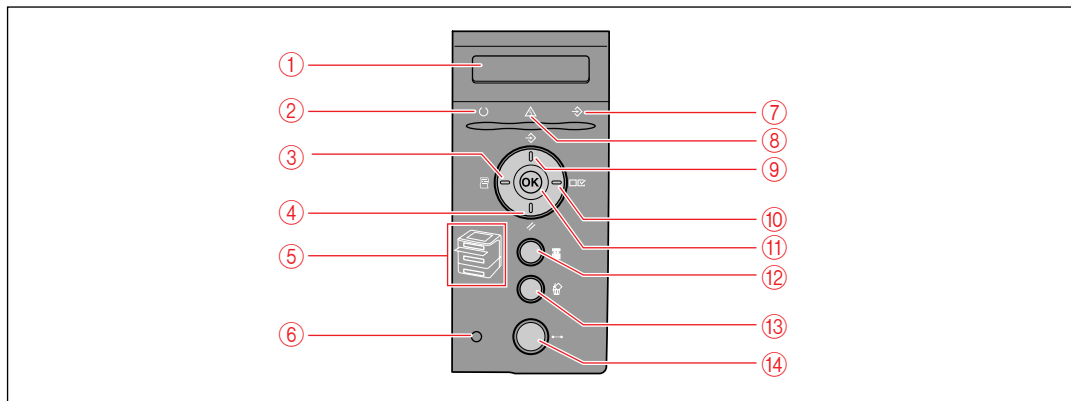
When setting the toner cartridge, push it while aligning the projections on each side of the toner cartridge with this guide. (See p. 7-13)

② Transport Guide

Raised when removing paper jammed in the front cover. (See p. 8-13)

Control Panel

The control panel on the top of the printer allows you to check the printer status and use the printer functions.



IMPORTANT

Depending on the settings, the printer may operate differently from the description of the following "On menu operation". For more details, see the instructions for each setting.

① Display

Displays the printer status, messages, the items and setting values of the menu functions. (See p. 1-11)

② Ready Indicator (Green)

On:

The printer is ready to print. (If the printer has entered Power Save Mode 1 when it is online, only the (Ready) indicator (green) and Power indicator (green) are on.)

Blinking:

The printer is performing a self-diagnostic test. The printer is in a warm-up state.

Off:

The printer cannot print.

③ Utility (◀) Key

On offline:

Does not function when the printer is offline.

On online:

Displays the UTILITY menu.

On menu operation:

Displays the next left item in the menu. Decreases the setting value.

④ Reset (▼) Key

On offline:

Displays the RESET menu.

On online:

Displays the RESET menu.

On menu operation:

Goes to the next menu (Goes down the hierarchy). In a lowest menu level (When a setting value is displayed), determines the setting value.

⑤ Paper Source Indicators (Green)

On:

The indicator for the currently selected paper source comes on.

Blinking:

There is no paper in the currently selected paper source, or the paper cassette is not set.

Off:

No paper source is selected. No paper cassette including the optional one or paper feeder is set.

⑥ Power Indicator (Green)

On:

The printer is ON.

Off:

The printer is OFF.

7  **Job Indicator (Green)**

On:

The printer is receiving print data, or any print data remains in the printer memory.

Blinking:


The printer is processing print data.

Off:

There is no print data in the printer memory.


8  **Message Indicator (Orange)**

On:

The printer cannot print because a problem has occurred in the printer. (If the printer has entered Power Save Mode 1 when it is offline, only the  (Message) indicator (orange) and Power indicator (green) are on.)

Off:

The printer is in a normal state.

9  **Job (▲) Key**

On offline:

Does not function when the printer is offline.

On online:

Displays the JOB menu.

On menu operation:

Goes back to the previous menu (Goes back up the hierarchy).

10  **Settings (▶) Key**

On offline:

Displays the SETUP menu.

On online:

Displays the SETUP menu. However, the USER MAIN. options cannot be specified when the printer is online.

On menu operation:

Displays the next right item in the menu. Increases the setting value.

11 **[OK] Key**

On offline:

Does not function when the printer is offline.

On online:

Does not function when the printer is online.

On menu operation:

Goes to the next menu (Goes down the hierarchy).

In a lowest menu level (When a setting value is displayed), determines the setting value.

12  **Feeder Selection Key**

On offline:

Displays the SELECT FEEDER menu.

On online:



Displays the SELECT FEEDER menu.

On menu operation:



Does not function.

13  **Cancel Job Key**

On offline:

Cancels the job when the  (Job) indicator is on or blinking. Does not function when the  (Job) indicator is off.

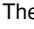
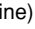
On online:

Cancels the job when the  (Job) indicator is on or blinking. Does not function when the  (Job) indicator is off.

14  **Online Key/Online Indicator (Green)**

Turns on (online)/off (offline) the connection to the computer.

This key also has the function that, when an error has occurred, releases the printer from the error temporarily and continues the paused job. However, depending on the error, you may not be able to cancel it out.

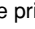
The  (Online) indicator under the  (Online) key indicates the following printer status with its status.

On:

Online (The printer can receive print data from the computer.)

Off:

Offline (The printer cannot receive print data from the computer.)

However, if the printer has entered Power Save Mode, the  (Online) indicator is off even when the printer is online. (See p. 3-6)

Display

The display on the printer's control panel is as shown in the following. It displays the printer status, messages, items and settings of the menu functions.

When the printer is ready to print



When operating the printer using the control panel



① Status/Operation Field

Displays the printer status and print mode.

② Paper Source/Paper Size Field

Displays the size of paper in the currently selected paper source using an abbreviation. The names of the following paper sizes are indicated by an abbreviation. (Legal: LG, Letter: LT, Executive: EX, Statement: ST, Envelope DL: DL, Envelope COM10: CO, Envelope C5: EC5, Envelope Monarch: MO, Envelope B5: EB5, Index Card: IC, Custom Size: 80 to 99, Custom SizeR: 80R to 99R, Free/Mixed Sizes: FR)

Optional Accessories

1

Before You Start

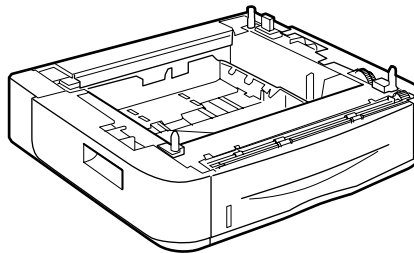
The following optional accessories are available in order to make full use of the printer functions. Purchase them to fulfill your needs. For the optional accessories, contact your local authorized Canon dealer.

Paper Feeder

In addition to the supplied multi-purpose tray and paper cassette, up to three paper sources can be used by installing the optional paper feeder.

The paper feeder can be loaded with up to approximately 250 sheets of plain paper (80 g/m²) of A4, B5, A5, Legal, Letter, Executive, and the following custom paper sizes.

- When loading paper in portrait orientation: Width 148.0 to 215.9 mm; Length 210.0 to 355.6 mm
- When loading paper in landscape orientation (Only when UFR II Printer Driver is used): Width 210.0 to 215.9 mm; Length 210.0 to 215.9 mm



PAPER FEEDER PF-35P

IMPORTANT

- Be sure to use a paper feeder designed for this printer.
- For details on the procedure for installing the paper feeder, see "Installing the Paper Feeder," on p. 9-2.

Installing the Printer

2

CHAPTER

This chapter describes the procedure from taking this printer out of the package to installing the printer.

Installation Procedure	2-2
Installation Site	2-3
Installation Environment	2-3
Installation Space	2-5
Confirming the Contents of the Box	2-8
Carrying the Printer to the Installation Site and Removing the Packing Materials on the Outside of the Printer	2-10
Removing the Packing Materials Inside the Printer and Installing the Toner Cartridge	2-14
Precautions on Installing the Toner Cartridge	2-14
Installing the Toner Cartridge	2-15
Removing the Packing Materials of the Paper Cassette and Loading Paper	2-23
Connecting the Cables	2-26
Connecting the Power Cord	2-26
Connecting to a Computer	2-28
Turning the Printer ON and Checking the Printer Operation	2-33
Turning the Printer ON	2-33
Registering a Paper Size	2-34
Checking the Operations with Configuration Page Print	2-35
When the Printer Does Not Operate Properly	2-37
Changing the Language Used in the Display	2-38
Turning the Printer OFF	2-39

Installation Procedure

According to your installation condition, perform the relevant procedure. When you do not install the optional accessories, skip the procedures indicated with (Optional).

2

Installing the Printer

1 Installing the Paper Feeder (See p. 9-2) (Optional)

2 Installing the Printer (See p. 2-10)

3 Installing the Toner Cartridge (See p. 2-14)

4 Loading Paper (See p. 2-23)

5 Connecting the Power Cord (See p. 2-26)

6 Connecting the Printer to a Computer (See p. 2-28)

Installation Site

In order to use this printer in a safe and comfortable manner, install the printer in a place that fulfills "Temperature/Humidity Conditions", "Power Supply Requirements", and "Installation Requirements" described in "Installation Environment".



IMPORTANT

Before installing the printer, be sure to read "Important Safety Instructions" (See p. xv).

Installation Environment

Select an installation site for this printer in view of the following environmental conditions.

Temperature/Humidity Conditions

Use the printer in a location where the temperature and humidity are in the following ranges.

- Ambient temperature: 10 to 32.5 °C (50 to 90.5 °F)
- Ambient humidity: 20 to 80 % RH (no condensation)



IMPORTANT

- Water droplets (condensation) may form inside the printer under the following circumstances. Leave the printer for two hours or more to adjust to the surrounding temperature and humidity before using it.
 - When the room where the printer is installed is heated rapidly
 - When the printer is moved from a cool or dry location to a hot or humid location
- If water droplets form inside the printer, the paper transport path will not function properly, and this may result in paper jams, damage to the printer, or printer error.

■ To customers using an ultrasonic humidifier

If you use an ultrasonic humidifier in conjunction with tap water or well water, impurities in the water will be dispersed through the air. These can be trapped inside the printer, causing degradations in printing quality. When you are using these humidifiers, it is therefore recommended that you use purified water or other water that is free of impurities.

Power Supply Requirements

The maximum power consumption of this printer is 950 W or less. Before connecting the printer to the power supply, make sure that the power supply is safe and its voltage is stable.

Use power supplies rated for voltages in the following ranges.

- 220 to 240 V ($\pm 10\%$) 50/60 Hz (± 2 Hz)



IMPORTANT

- An AC power outlet should be used exclusively for the printer. Any other sockets of the AC power outlet should not be used.
- Do not plug the power plug into the auxiliary outlet on a computer.
- Do not plug the power plug of the printer and that of machinery which consumes a large amount of electricity or generates electrical noise, such as a copy machine, air conditioner, or shredder, into the same AC power outlet.

Installation Requirements

Install the printer in the following locations.

- A location where sufficient space can be secured
- A well-ventilated room
- A flat, even surface
- A sturdy platform that can easily support the weight of the printer and optional accessories



WARNING

Do not install the printer near alcohol, paint thinner, or other flammable substances. If flammable substances come into contact with electrical parts inside the printer, it may result in a fire or electrical shock.



CAUTION

- Do not install the printer in the following locations, as this may result in a fire or electrical shock.
 - A damp or dusty location
 - A location exposed to smoke and steam such as cookeries and humidifiers
 - A location exposed to rain or snow
 - A location near water faucets or water
 - A location exposed to direct sunlight
 - A location subject to high temperatures
 - A location near open flames
- Do not install the printer in unstable locations, such as unsteady platforms or inclined floors, or in locations subject to excessive vibrations, as this may cause the printer to fall or tip over, resulting in personal injury.

IMPORTANT

Do not install the printer in the following locations, as this may result in damage to the printer.

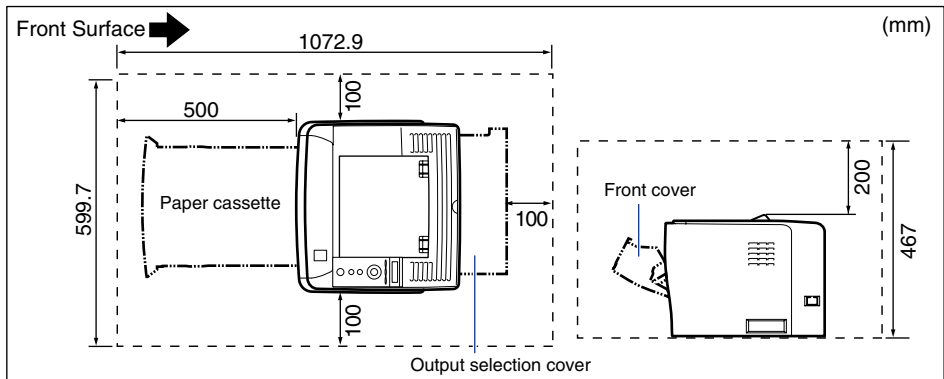
- An environment where the temperature and/or humidity can change dramatically, or where condensation occurs
- A poorly ventilated room (Ozone is generated by the printer in use, however, the amount is too small to be harmful to the human body. However, if you are going to use the printer for a long time in a poorly ventilated room or to perform a large amount of printing, ventilate the room to keep the working environment comfortable.)
- A location near products that generate magnetic waves or electromagnetic waves
- In rooms such as laboratories where chemical reactions occur
- A place where salt content, corrosive gases such as ammonia, or toxic gases are contained
- A platform that may warp from the weight of the printer and optional accessories, or the printer is liable to sink (such as a carpet or mat)

Installation Space

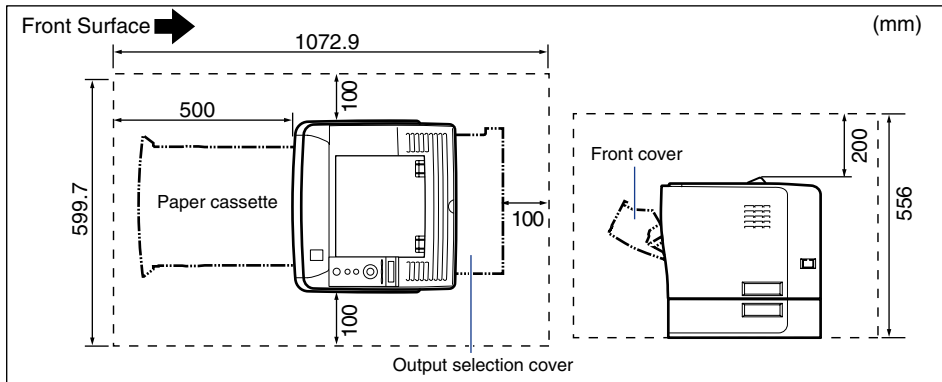
Select an installation location where you can secure the following amounts of free space around the printer, and a surface that can support the weight of the printer. The dimensions of the space required around the components and the positions of the feet are as follows.

Required Peripheral Space

■ Standard state

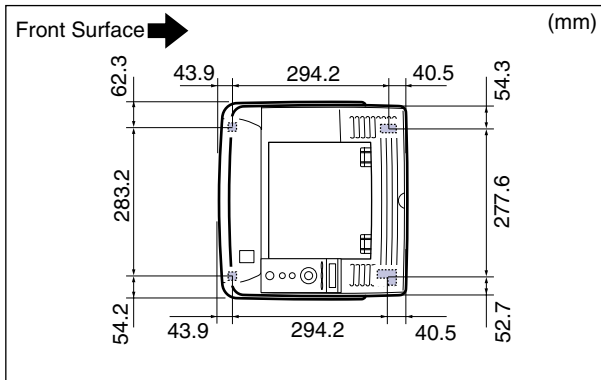


■ State with the paper feeder installed



Foot Positions

■ Printer unit

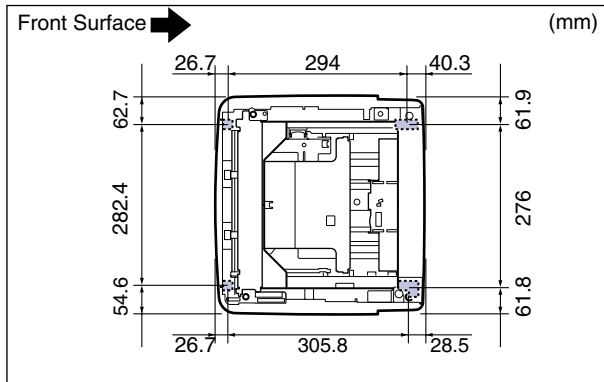


NOTE

The front feet are 7.8 mm high and their top surface is 12 mm square.

The rear feet are 7.8 mm high, the left top surface has a rectangular shape of 21.7 mm x 40 mm, and the right top surface is 18.6 mm x 40 mm and is L-shaped.

■ PAPER FEEDER PF-35P



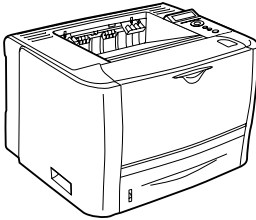
NOTE

The front feet are 7.8 mm high and their top surface is 12 mm square.

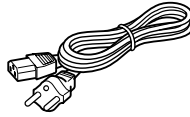
The rear feet are 7.8 mm high, the left top surface has a rectangular shape of 21.7 mm x 40 mm, and the right top surface is 31.7 mm x 40 mm and is L-shaped.

Confirming the Contents of the Box

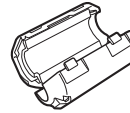
Make sure that all the following items are contained in the package before installing the printer. If any item is missing or damaged, please contact your local authorized Canon dealer.



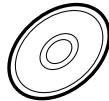
- Printer
The following parts are already installed.
- Paper cassette
 - Toner cartridge



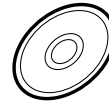
- Power cord
(The form of the supplied power cord may differ from the one in the above illustration.)



- Ferrite core



- Printer Driver Software CD-ROM
- Printer Driver
 - Driver Guide



- User Manual CD-ROM
- Manuals
 - User's Guide
 - Remote UI Guide
 - Network Guide
 - Canon Font Manager

IMPORTANT

The supplied CD-ROM does not include the printer driver for Macintosh. Download the printer driver for Macintosh that supports this printer from the Canon website. If you cannot find the printer driver for Macintosh that supports this printer on the Canon website, contact your local authorized Canon dealer.

 **NOTE**

- The life of the toner cartridge included with the printer is approximately 3,000 pages on the basis of "ISO/IEC 19752"* when printing A4 size paper with the default print density setting.
 - * "ISO/IEC 19752" is the global standard related to "Method for the determination of toner cartridge yield for monochromatic electrophotographic printers and multi-function devices that may contain printer components" issued by ISO (International Organization for Standardization)
- The following two types of replacement toner cartridges with different lifetimes are available.
 - The one with the same lifetime as that of the included toner cartridge
 - The one with a longer lifetime than that of the included toner cartridgeFor details on the replacement toner cartridges, see "Replacing the Toner Cartridge," on p. 7-2.
- This printer does not come with a USB cable. Have an appropriate one available for the computer you are using. Use a USB cable with the following symbol.



- Canon Font Manager is included in the [Canonfm] folder on the User Manual CD-ROM.

Carrying the Printer to the Installation Site and Removing the Packing Materials on the Outside of the Printer

After securing the installation site, carry the printer to the installation site and remove the packing materials on the outside of the printer. When carrying the printer, carry it after pulling out the paper cassette.

2

Installing the Printer



IMPORTANT

- When installing the optional paper feeder, install it at the installation site before carrying the printer to the installation site. For details on installing the paper feeder, see "Installing the Paper Feeder," on p. 9-2.
- Secure sufficient space around the printer at the installation site so that you can install the optional accessories and connect cables.
- The removed packing materials are required when transporting the printer for relocation or maintenance. Keep them where they will not get lost.

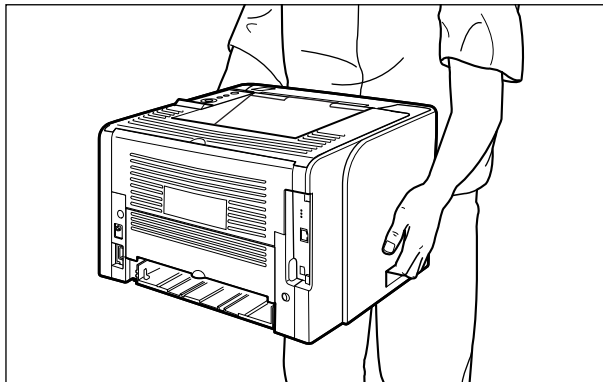
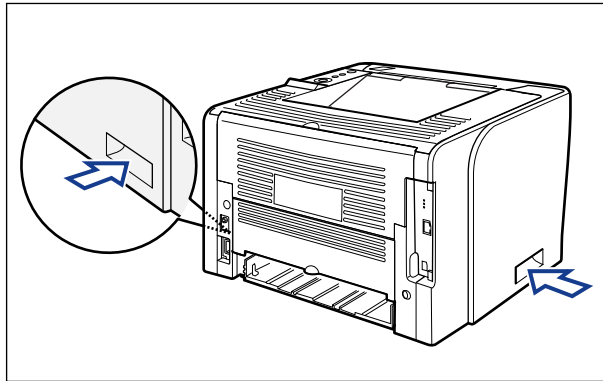


NOTE

The packing materials may be changed in form or position to be placed, or may be added or removed without notice.

1 Carry the printer unit to the installation site.

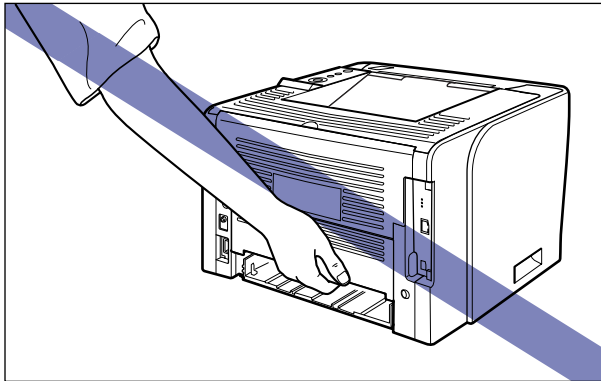
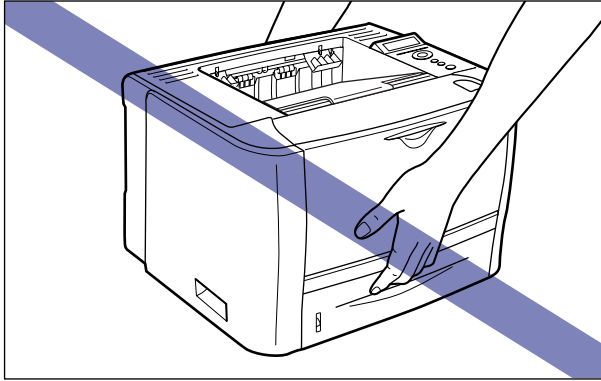
From the front side, securely hold the printer by the lift handles located on the lower portion of the printer with both hands.



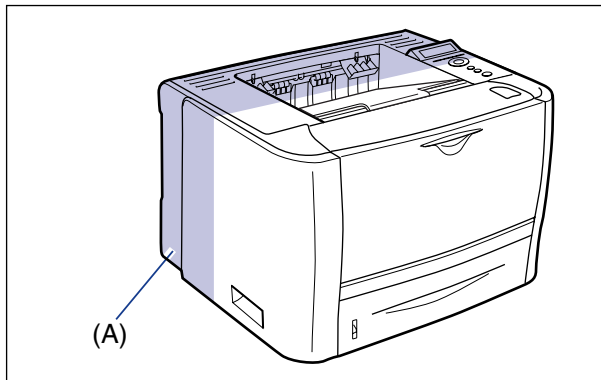
CAUTION

- This printer weighs approximately 12.2 kg. Please be careful not to hurt your back or other portions of your body when carrying the printer.

- Be sure not to hold the printer by the front portion, back portion, or any portions other than the lift handles. If you do so, you may drop the printer, resulting in personal injury.



- The back portion (A) of the printer is relatively heavy. Be careful not to get off-balanced when lifting the printer. If you do so, you may drop the printer, resulting in personal injury.

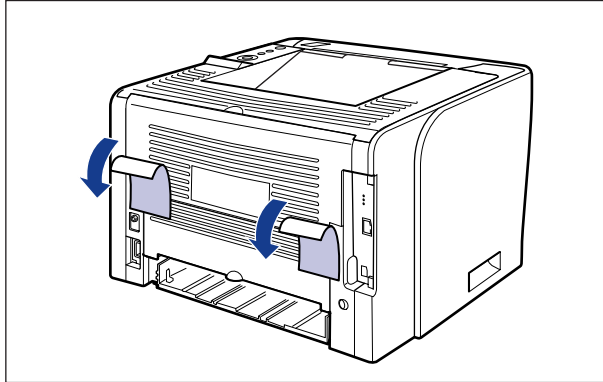


2 Put the printer down carefully at the installation site.

⚠ CAUTION

Put the printer down slowly and carefully. Be careful not to hurt your hands.

3 Remove the tape attached to the printer (2 locations).



Removing the Packing Materials Inside the Printer and Installing the Toner Cartridge

The toner cartridge protected with packing materials is already installed in the printer.

Be sure to take the toner cartridge out of the printer once, and then remove the packing materials using the following procedure.

Precautions on Installing the Toner Cartridge

CAUTION

Take care not to allow the toner to come into contact with your hands or clothing, as this will dirty your hands or clothing. If they become dirty, wash them immediately with cold water. Washing with warm water will set the toner and make it impossible to remove the toner stains.

IMPORTANT

Dispose of the packing materials according to local regulations.

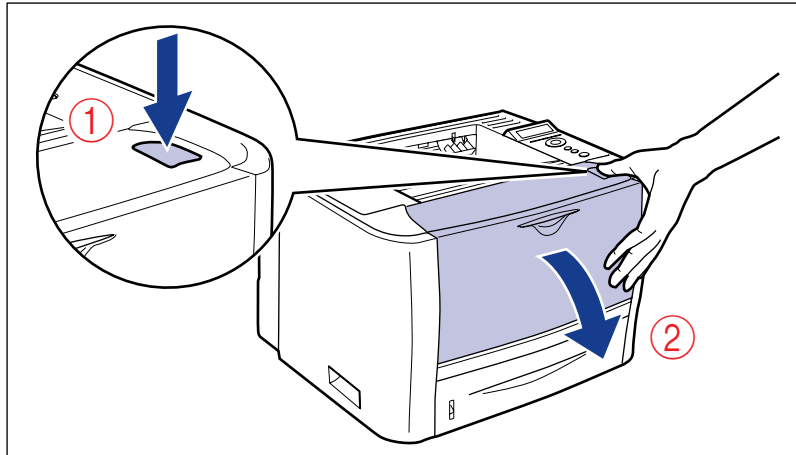
NOTE

- For details on handling toner cartridges, see "Precautions for Handling Toner Cartridges," on p. 7-14.
- The packing materials may be changed in form or position to be placed, or may be added or removed without notice.

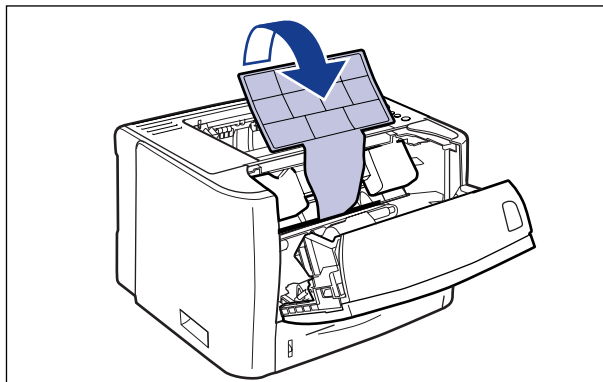
Installing the Toner Cartridge

1 Open the front cover.

While pressing the open button on the top of the front cover ①, open it gently ②.



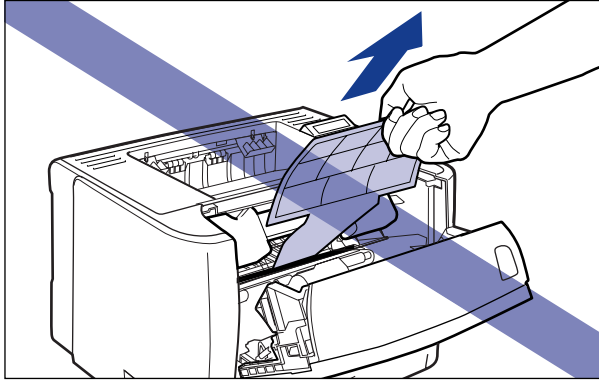
2 Turn over the paper toward you.



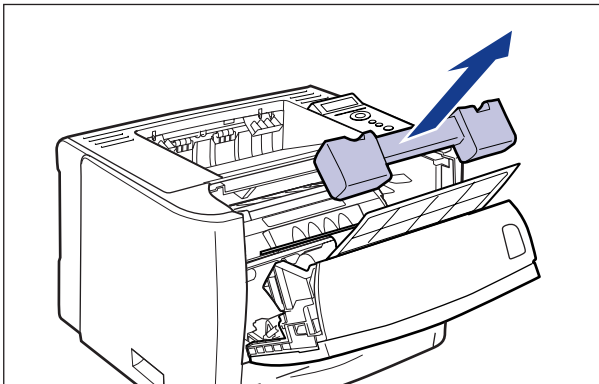


IMPORTANT

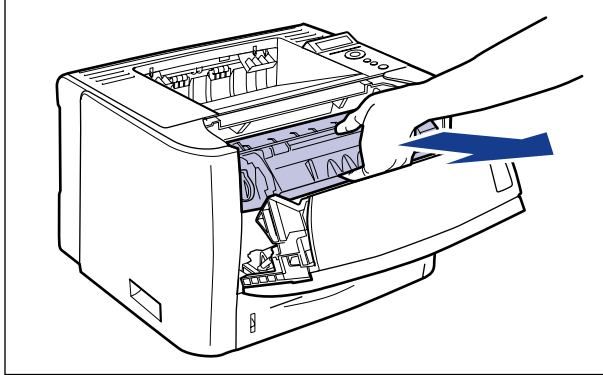
Do not remove the paper along with the toner cartridge and packing materials installed in the printer.



3 Remove the packing material.

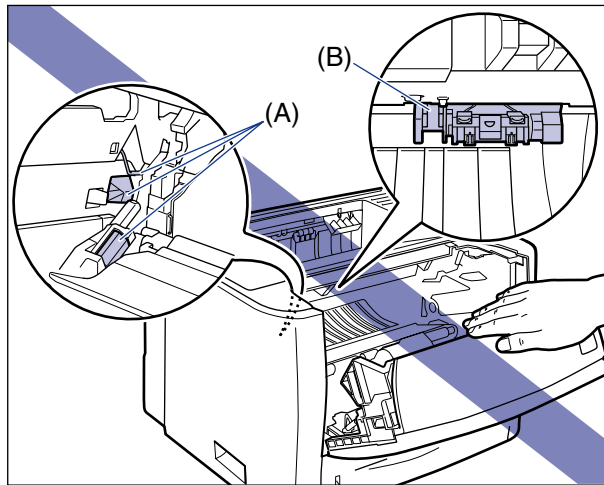


4 Remove the toner cartridge from the printer.

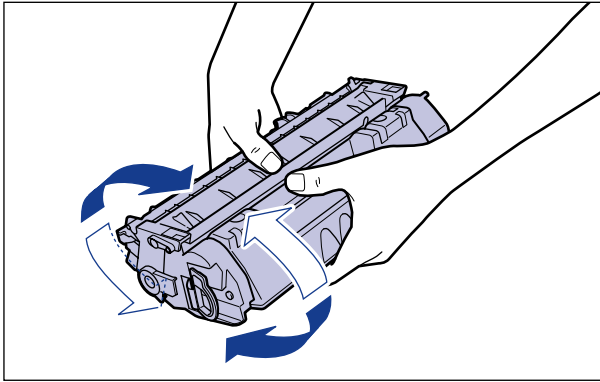


IMPORTANT

Be sure not to touch the high-voltage contacts (A) or electrical contact (B) shown in the figure, as this may result in damage to the printer.



- 5** Hold the toner cartridge as shown in the figure, and shake it gently 5 or 6 times to evenly distribute the toner inside the cartridge.

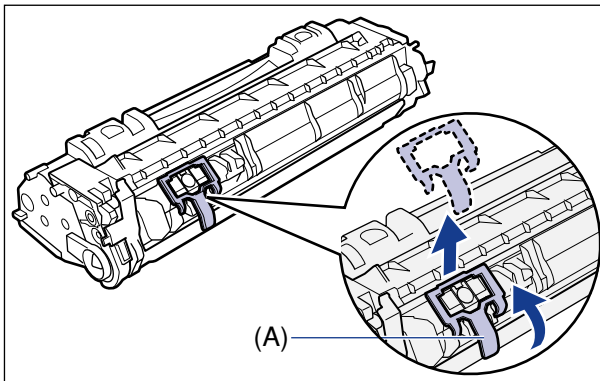


IMPORTANT

- If toner is not distributed evenly, this may result in deterioration in print quality. Be sure to carry out this procedure properly.
- Be sure to shake the toner cartridge gently. If you do not shake the cartridge gently, toner may spill out.

- 6** Remove the packing material shown in the figure.

Raise the tab of the packing material (A), then remove it.

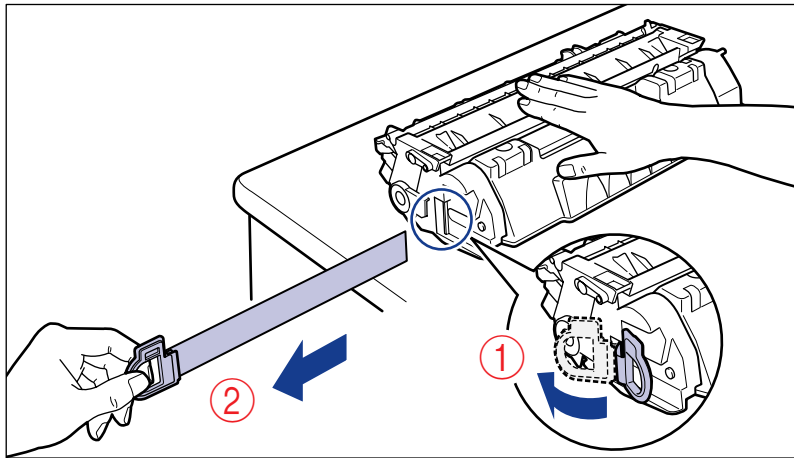


7 Place the toner cartridge on a flat surface.

8 Pull out the sealing tape.

While holding the toner cartridge steady ①, hook your fingers into the tab and fold it back.

Pull out the sealing tape (approx. 45 cm long) straight in the direction of the arrow gently ②.

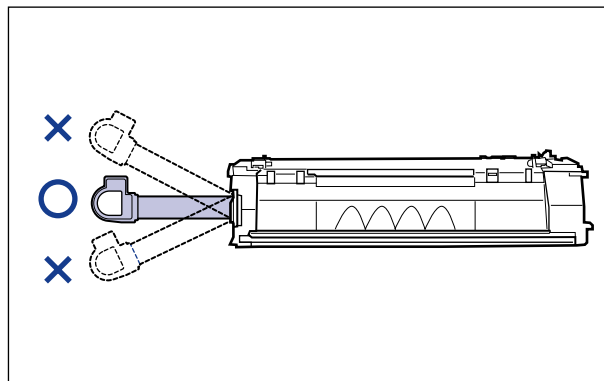


⚠ CAUTION

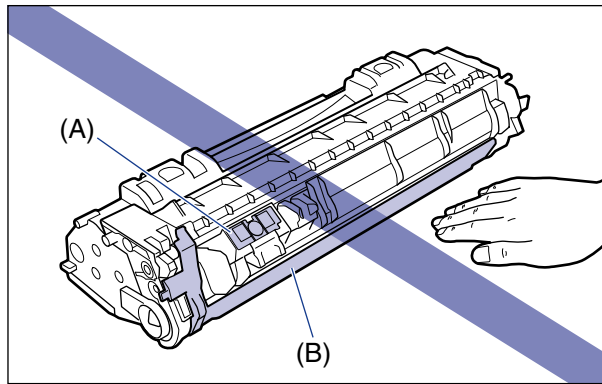
If the sealing tape is pulled out forcefully or stopped at midpoint, toner may spill out. If the toner gets into your eyes or mouth, wash them immediately with cold water and immediately consult a physician.

🖐 IMPORTANT

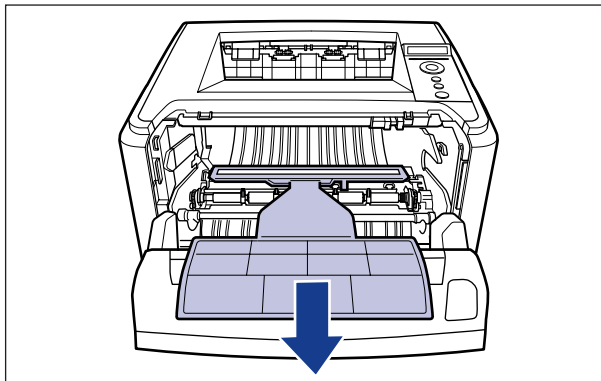
- Do not pull the sealing tape diagonally, upwards, or downwards. If the tape is severed, it may become difficult to pull out completely.



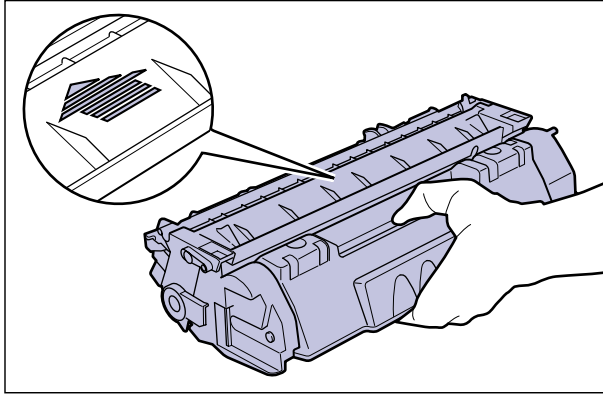
- Pull out the sealing tape completely from the toner cartridge. If any tape remains in the toner cartridge, this may result in poor print quality.
- When pulling out the sealing tape, be careful not to touch the toner cartridge memory (A) or hold the drum protective shutter (B) with your hands.



9 Remove the packing material with paper inside the front cover.

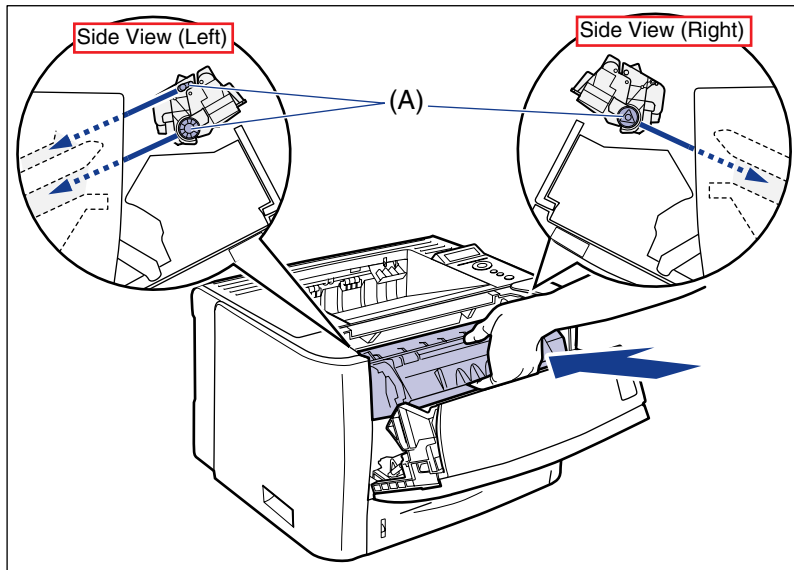


- 10** Hold the toner cartridge properly with the arrowed side facing up as shown in the figure.



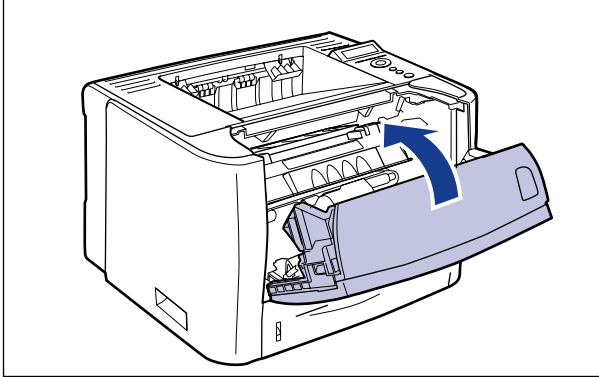
- 11** Install the toner cartridge.

Push the toner cartridge into the printer firmly until it touches the back of the printer while aligning (A) on both sides of the toner cartridge with the toner cartridge guides inside the printer.



12 Close the front cover.

Close the front cover gently and firmly.



IMPORTANT

- If you cannot close the front cover, make sure that the toner cartridge is installed properly. If you try to close the front cover forcefully, this may result in damage to the printer or toner cartridge.
- Do not leave the front cover open for a long time after installing the toner cartridge. This may result in deterioration in print quality.

Removing the Packing Materials of the Paper Cassette and Loading Paper

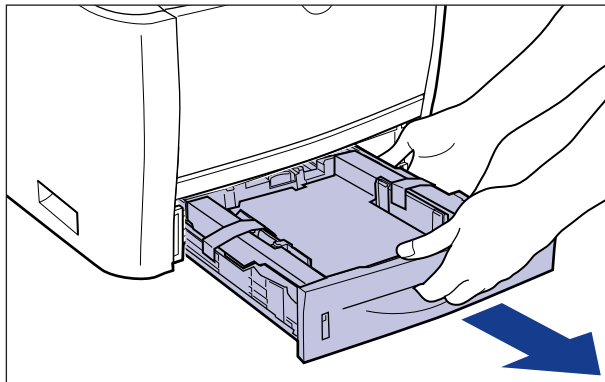
IMPORTANT

- For details on handling the paper cassette, see "Precautions for Handling the Multi-purpose Tray or Paper Cassette," on p. 4-12.
- The removed packing materials are required when transporting the printer for relocation or maintenance. Be sure not to misplace them.

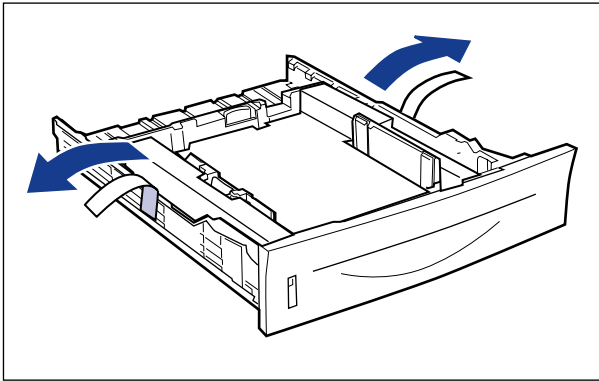
NOTE

The packing materials may be changed in form or placement, or may be added or removed without notice.

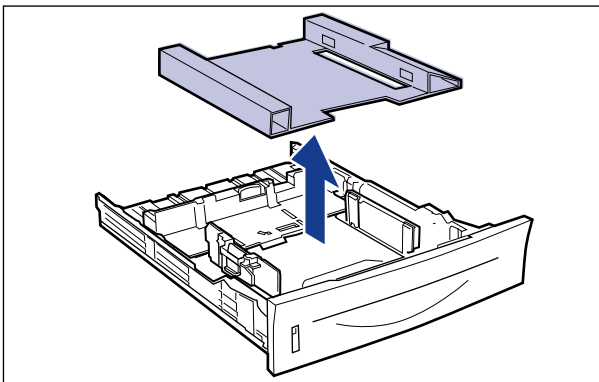
1 Pull out the paper cassette.



- 2** Remove the tape that is securing the packing material in the paper cassette (2 locations).



- 3** Remove the packing material in the paper cassette.



- 4** Load paper in the paper cassette.

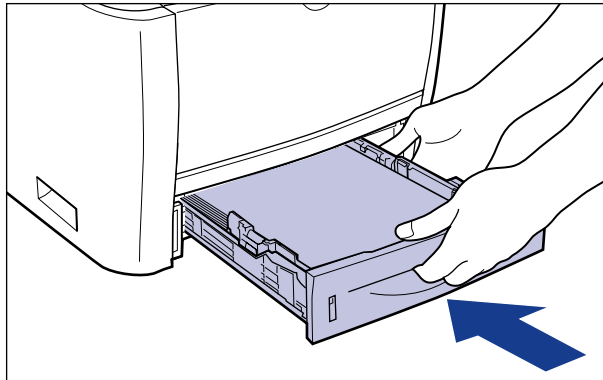
For details on the procedure for loading paper in the paper cassette, see "Loading Paper in the Paper Cassette," on p. 4-17.

 **NOTE**

If you want to load paper in the multi-purpose tray, load the paper after Step 5. For details on the procedure for loading paper in the multi-purpose tray, see "Loading Paper in the Multi-purpose Tray," on p. 4-33.

5 Set the paper cassette in the printer.

Push the paper cassette into the printer firmly until the front side of the paper cassette is flush with the front surface of the printer.



! CAUTION

When setting the paper cassette in the printer, be careful not to catch your fingers.

This printer's paper cassette cannot automatically detect the paper size. Therefore, you need to register the size of the loaded paper.

See "Registering a Paper Size" (p. 2-34) to register the paper size after turning the printer ON.

Connecting the Cables

Connecting the Power Cord

This section describes the procedure for connecting the power cord. When connecting the power cord, see "Important Safety Instructions," on p. xv.

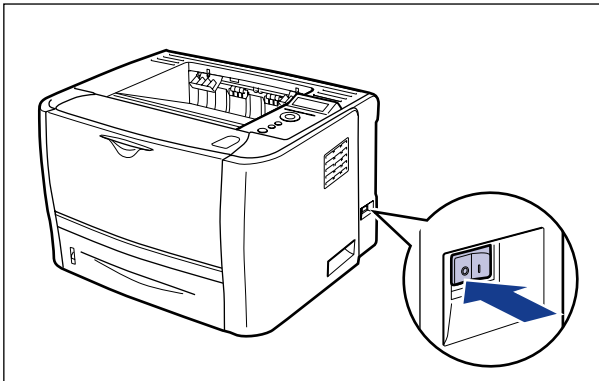


IMPORTANT

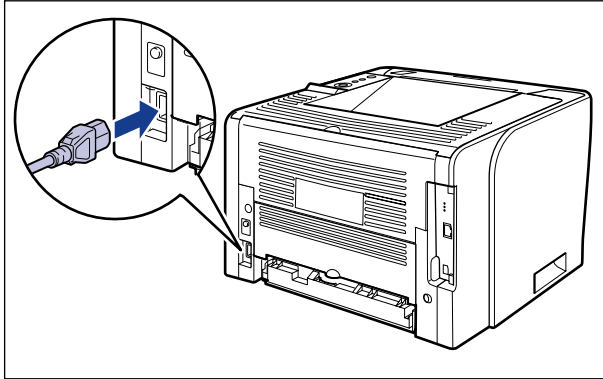
- One AC power outlet should be used exclusively for the printer.
- Do not plug the power plug into the auxiliary outlet on a computer.
- Do not connect this printer to an uninterruptible power source. This may cause printer malfunction or breakdown at the occurrence of a power failure.

1 Make sure that the power switch of the printer is OFF.

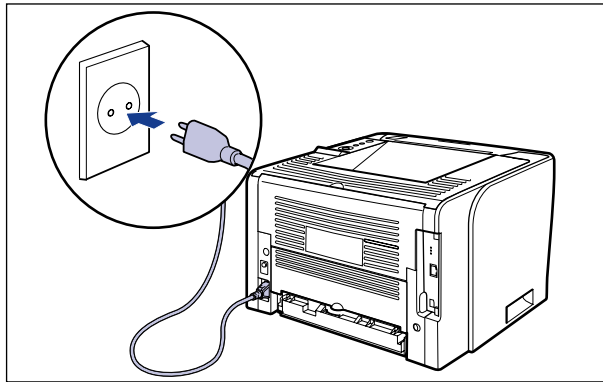
The printer is OFF when "O" of the power switch is pressed.



2 Plug the supplied power cord into the power socket.



3 Plug the power plug into the AC power outlet.



NOTE

The form of the supplied power cord may differ from the one in the above illustration.

Connecting to a Computer

This section describes how to connect the printer to a computer and network.

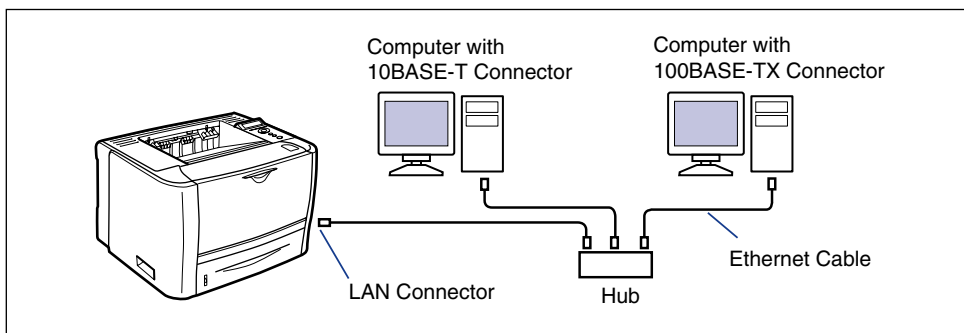
This printer is equipped with a LAN connector and USB connector.

Using a LAN Cable

By connecting the printer to a network such as Ethernet to be shared on the network, you can use the printer from a computer on the network. You can use UNIX, Windows, Mac OS, and other operating systems.

This printer includes a print server that supports 10BASE-T/100BASE-TX and is compatible with the TCP/IP, AppleTalk (EtherTalk), and SMB protocols.

Connect the LAN connector on this printer and a hub port with a Category 5 twisted pair cable. Have cables or a hub ready as needed. For compatible cables and hubs, contact your local authorized Canon dealer.



CAUTION

Before connecting the network cable to the printer, be sure to turn the printer OFF, and then unplug the power plug from the AC power outlet. Failure to observe these steps may result in an electrical shock.

IMPORTANT

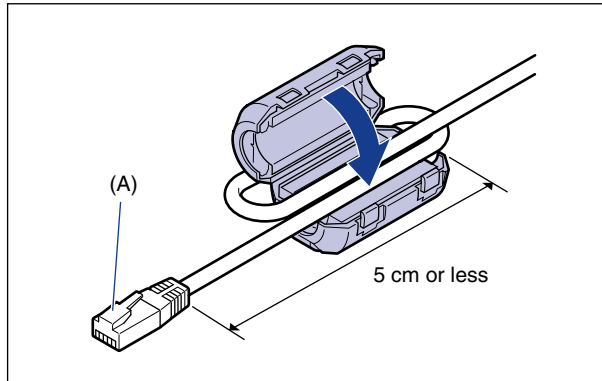
If more than one device is connected to an AppleTalk network, turn on each device at an interval of ten seconds or longer.

NOTE

- This printer recognizes the type of Ethernet (100BASE-TX or 10BASE-T) automatically.
- If both 100BASE-TX devices and 10BASE-T devices are on the same network, a device such as a switching hub that supports both 100BASE-TX and 10BASE-T is required. For more details, contact your local authorized Canon dealer.
- If you connected this printer to a network, check the MAC address of the print server with Configuration Page Print, and then configure the network operating system (UNIX, etc.) and print server. For more details, see "Network Guide".

1 Attach the ferrite core to the LAN cable as shown in the figure.

Attach the ferrite core at 5 cm or less from the end of the connector (A) connected to the printer.

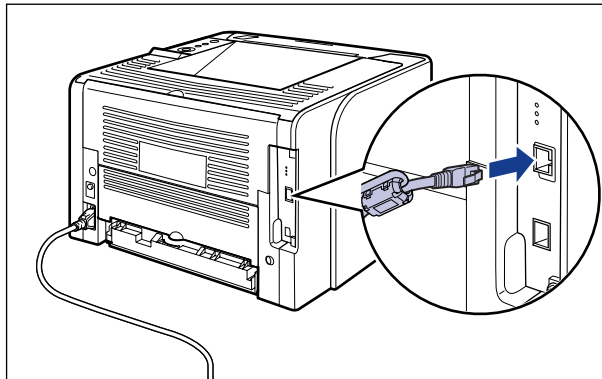


NOTE

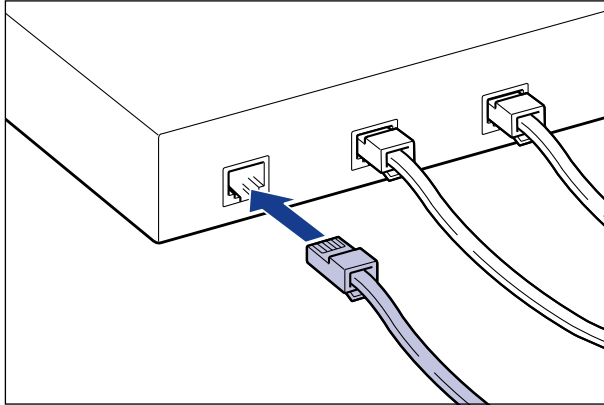
A ferrite core is supplied with the printer.

2 Connect the LAN cable to the LAN connector of the printer.

Connect a LAN cable that is compatible with the LAN connector of the network board according to the network.



3 Connect the other end of the LAN cable to the hub.



● Installing the Software

After connecting the LAN cable, install the software for this printer. For more details, see "Driver Guide".

👉 IMPORTANT

The supplied CD-ROM does not include the printer driver for Macintosh. Download the printer driver for Macintosh that supports this printer from the Canon website. If you cannot find the printer driver for Macintosh that supports this printer on the Canon website, contact your local authorized Canon dealer.

Using a USB Cable

Connect the printer to a computer equipped with a USB port using a USB cable.

⚠ WARNING

When plugging or unplugging the USB cable when the power plug is plugged in an AC power outlet, do not touch the metal part of the connector, as this may result in electrical shock.

👉 IMPORTANT

- Do not plug or unplug the USB cable while the computer and printer are ON, as this may result in damage to the printer.
- This printer uses bi-directional communication. Operation of the printer when connected via unidirectional communication equipment has not been tested, and as a result, Canon cannot guarantee printer operation when the printer is connected using unidirectional print servers, USB hubs or switching devices.

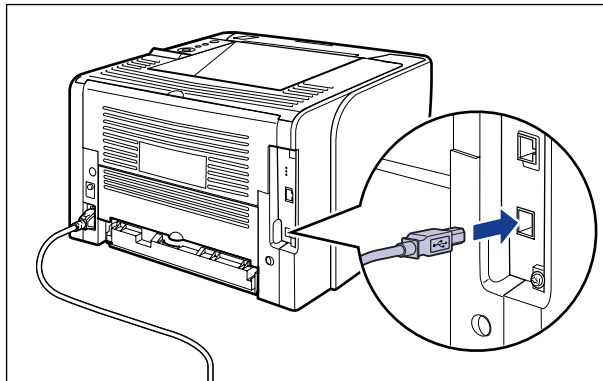
 **NOTE**

- The appropriate USB interface varies depending on the operating system of the connected computer as follows. For more details, contact your local authorized Canon dealer.
 - Windows 2000/XP/Server 2003/Vista: USB 2.0 Hi-Speed/USB Full-Speed (USB1.1 equivalent)
 - Mac OS X 10.3.2 or earlier: USB Full-Speed (USB 1.1 equivalent)
 - Mac OS X 10.3.3 or later: USB 2.0 Hi-Speed/USB Full-Speed (USB1.1 equivalent)
- When you connect this printer to a computer with a USB cable, use a computer with manufacturer's guarantee of USB proper operation.
- This printer does not come with a USB cable. Have an appropriate one available for the computer you are using. Use a USB cable with the following symbol.

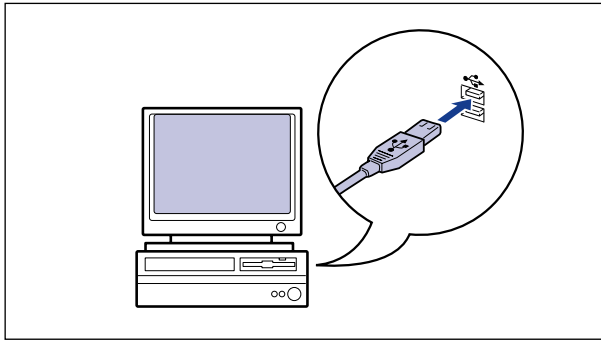


1 Make sure that the printer and computer are OFF.

2 Connect the B-type (square) end of the USB cable to the USB connector on the rear side of the printer.



- 3** Connect the A-type (flat) end of the USB cable to the USB port on the computer.



NOTE

If you are not sure about the USB cable that is supported by the computer you are using, contact the store where you purchased the computer.

● Installing the Software

After connecting the USB cable, install the software for this printer. For more details, see "Driver Guide".



IMPORTANT

The supplied CD-ROM does not include the printer driver for Macintosh. Download the printer driver for Macintosh that supports this printer from the Canon website. If you cannot find the printer driver for Macintosh that supports this printer on the Canon website, contact your local authorized Canon dealer.

Turning the Printer ON and Checking the Printer Operation

This section describes the procedures for turning the printer ON and checking the printer operation.

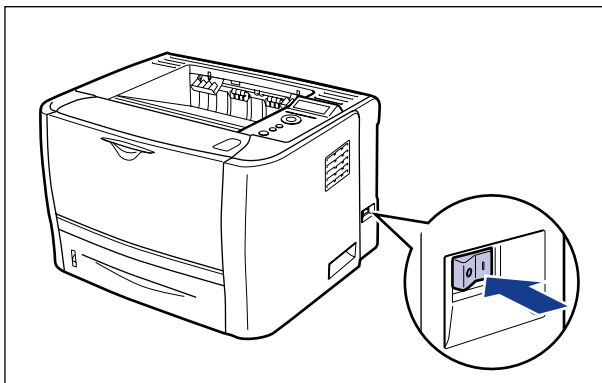
Turning the Printer ON




IMPORTANT

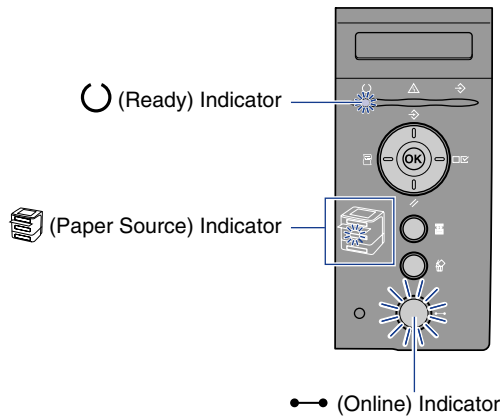
- Do not turn the power ON immediately after turning it OFF. If you want to turn the printer ON again after turning it OFF, wait at least 10 seconds after turning the printer OFF before turning it ON again.
- If the printer does not operate properly or an error message appears, see "When the Printer Does Not Operate Properly," on p. 2-37.
- Be sure to set the paper cassette in the printer before you turn the power ON for the first time after you install the printer.
- Although a sheet of blank paper is output when you turn the power ON for the first time after you install the printer, this is not an error.

1 Press "I" of the power switch to turn the printer ON.

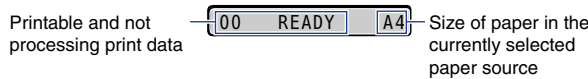


The indicators and display on the control panel come on, and the printer initiates a self-diagnostic test on the printer unit and optional accessories.

If no abnormality is found during the self-diagnostic test, the ●—● (Online) indicator, ◯ (Ready) indicator and  (Paper Source) indicator for the currently selected paper source come on, <00 READY> appears in the display, and the printer is ready to print.



The following information is displayed in the display.



Registering a Paper Size

This printer's paper cassette cannot automatically detect the paper size. Therefore, in CASSETTE(n) SIZE (n = 1, 2) in the FEEDER MENU options in the SETUP menu, you need to register the size of the paper loaded in the paper cassette. When paper is loaded in the multi-purpose tray, you need to register the size of the loaded paper in TRAY PAPER SIZE in the FEEDER MENU options in the SETUP menu.

For more details on the procedure for registering a paper size, see the following directions.

- When registering the size of the paper in the paper cassette
See "Specifying the Size of the Paper in the Paper Cassette," on p. 4-30
- When registering the size of the paper in the multi-purpose tray
See "Specifying the Size of the Paper in the Multi-purpose Tray," on p. 4-44

When printing from DOS, UNIX, or other operating system on which the printer driver cannot be used, also set STD PAPER SIZE (See p. 6-16) in the FEEDER MENU options in the SETUP menu to the size of the loaded paper.

Checking the Operations with Configuration Page Print

Before using the printer for the first time, be sure to perform Configuration Page Print to check the operations using the following procedure. Configuration Page Print prints printer information such as a list of the setting values and the number of the total print pages.

NOTE

- Configuration Page Print is designed to be printed on A4 size paper. Load a sheet of A4 size paper in the paper cassette or multi-purpose tray.
- The settings specified by the menu of the printer's control panel are reflected to Configuration Page Print. For example, when the automatic 2-sided printing function is specified, Configuration Page Print will be printed with two pages on both sides of paper. However, always a sheet of paper is printed regardless of the number of copies.


Printing Configuration Page Print

Configuration Page Print can be printed using the following procedure.

1 Press "I" of the power switch to turn the printer ON.



2 Make sure that the printer is online.

If the printer is not online, press the  (Online) key.



3 Press the  (Utility) key.

UTILITY MENU

CONFIG. PAGE →

CONFIG.PAGE is displayed in the display.



4 Press [OK].

CONFIG. PAGE →

EXECUTING

(Approx. 1 sec.)

CONFIG. PAGE →

Configuration Page Print is printed.

Contents of Configuration Page Print

Configuration Page Print prints information as shown in the following figure. Configuration Page Print allows you to confirm information such as a list of the setting values specified in the printer function menu, the versions of the software and hardware installed on the printer, and the number of the total print pages. You can check the number of the total print pages using "Page Count" on the lower right of Configuration Page Print.



IMPORTANT


This is a sample of Configuration Page Print. The contents may partially differ from the Configuration Page Print printed by your printer.

Canon		Configuration Page	LBP3370
Version : 00000000	RAM Size : 64 MB		
Printer Version : 00000000	Model : Temp		
Print Version : 00000000			
CONTROL MENU GROUP	FEEDER MENU GROUP	LAYOUT MENU GROUP	
Print Size Mode : Final Off	Standard Paper Size : A4	Layout	
Print Size Mode in Line : On	Multi-purpose Tray Paper Size : A4	Offset X : 0.0 mm	
Time To Sleep After Print Size Mode : 15 seconds	Custom Paper Size : A4	Offset Y : 0.0 mm	
Auto Exit Slip : Off	Multi-purpose Tray Priority : Off	Binding Location : Long Edge	
Print Language : English	Standard Paper Tray : Off	Custom	
Show Waiting Counter Entry : On	Auto Selection/Multi-purpose Tray : On	Alternative Method : On	
PCL Selection/Print : USB II	Capacity : On		
	Standard Paper Type : Plain Paper		
	Sheet Feeding : Off		
		QUALITY MENU GROUP	
		Image Refinement : On	
		Grid/Line Load : Standard	
		Line Size : Off	
		Line Spacing	
		Half-tone Text : High Resolution	
		Character	
		Image Color Time	
		Quality Change : Continue Feeding	
INTERFACE MENU GROUP	USER MAINTENANCE GROUP	PCL MENU GROUP	
Interface Connection/USB : On	Top Offset Y : 0.0 mm	Page Size : Off	
Network : On	Top Offset X : 0.0 mm	Orientation : Portrait	
Multi-Printer : 12 seconds	Center Offset Y : 0.0 mm	Print Resolution	
Customize Keyoperation : On	Center Offset X : 0.0 mm	Print : 1200 dpi	
	Bottom Offset Y : 0.0 mm	Input Line : 10 Lines	
	Bottom Offset X : 0.0 mm	System Set : PCL	
	Display Unit/Offset Y : 0.0 mm	Current Size : On/No Set	
	Recovery Printing : On	Append CR to LF : On	
	Check Paper Size : Off	Enlarge A4/80% : Off	
	Page Size Substitution : Off		
	Special Print Adjustment A : Mode 1		
PRINT MODE GROUP			
Mail Selection : PCL			
	UFR II MENU GROUP		
	Page Size : On		
Device	Manufacturer : Canon		
	Product Name : LBP3370		
	Display Name : Canon LBP3370		
Controller	UFR II : 00000000	PCL : a trademark of Hewlett-Packard Company.	
	PCL : 00000000		
Standard Network	Version : XXX		
	MAC Address : 000000000000		
USB	Version (I) : 000000		
	Product ID : 002001		
	Serial Number : 00000000		
	USB Model : 135D		
Canon and the Canon logo are trademarks of Canon Inc.			
			Page Count 0000054

When the Printer Does Not Operate Properly

If the printer does not operate even after turning it ON or printing Configuration Page Print properly, the following causes are conceivable.

Symptom	Cause	Remedy
The printer cannot be turned ON.	The power plug is unplugged from the AC power outlet.	Plug the power plug into the AC power outlet.
	There is a break in the power cord.	If the printer is turned ON after replacing the power cord with the one that is of the same type and is used for other device, there is a break in the power cord. In this case, purchase a new power cord and replace it with the broken one.
The indicators on the control panel do not come on.	The printer is not turned ON.	Turn the printer ON.
	The printer is in Power Save Mode.	The printer will be ready to print after you send print data or press any key on the control panel.
The printer does not operate.	The printer is offline.	Press the ●→ (Online) key to turn on the ●→ (Online) indicator.
	The interface cable is disconnected.	Connect the interface cable firmly to the interface connectors on the computer and printer unit.
A paper jam occurs each time you print.	The amount of the paper loaded in the paper cassette or multi-purpose tray exceeds the load limitation.	Reduce the amount of paper to within the load limitation and print again.
	Paper is not loaded properly in the paper cassette or multi-purpose tray.	Load the paper properly and print again.
	Unusable paper is loaded in the paper cassette or multi-purpose tray.	Replace the paper with one that can be used and print again.
	There is still jammed paper inside the printer.	Remove any jammed paper and print again.

Symptom	Cause	Remedy
Nothing is printed on the paper.	Multiple sheets of paper were fed at a time.	Align the paper stack in the paper cassette properly and load it again.
	The toner cartridge was installed with the sealing tape still attached.	Take the toner cartridge out of the printer, pull out the sealing tape, and then reinstall the toner cartridge.
The  (Message) indicator is on and a message is displayed in the display.	Some problem has occurred.	See "Message List" (p. 8-26) and solve the problem.

Changing the Language Used in the Display

The default value of the language used in the display is [ENGLISH].

You can change the display language to FRENCH, GERMAN, ITALIAN, or SPANISH using the following procedure.



- 1** Press the  (Settings) key.

SETUP

CONTROL MENU →



- 2** Select CONTROL MENU using [◀] and [▶], then press [OK].



CONTROL MENU →



POWER SAVE MODE →



- 3** Select PANEL LANGUAGE using [◀] and [▶], then press [OK].



PANEL LANGUAGE →



=ENGLISH →



4 Select the display language using [◀] and [▶], then press [OK].

FRENCH →

← FRENCH →

The display language is changed.

PANNEAU LANGUES →

Turning the Printer OFF

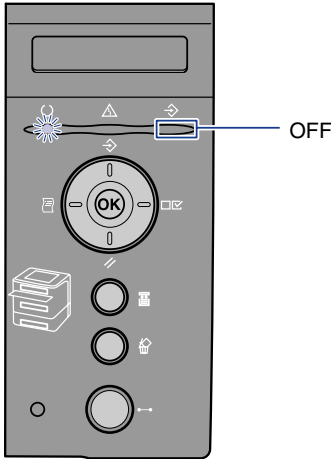
Turn the printer OFF using the following procedure.



IMPORTANT

- If the printer is connected to a network, make sure that other computers are not sending print data to the printer before turning the printer OFF.
- If you turn the printer OFF when the ↗ (Job) indicator is on, all the print data remaining in the printer memory will be erased. If there is any necessary print data remaining in the printer, wait until it is output, or press the ↻ (Reset) key in the offline state and then select FORM FEED to output the data before turning the printer OFF.
- Do not turn the power OFF when the printer is in any of the following status:
 - During printing
 - While the printer is running a self-diagnostic test immediately after turning the power ON
 - While a message informing you that the NVRAM is being initialized or being written is displayed
 - While the message <02 WARMING UP> is displayed

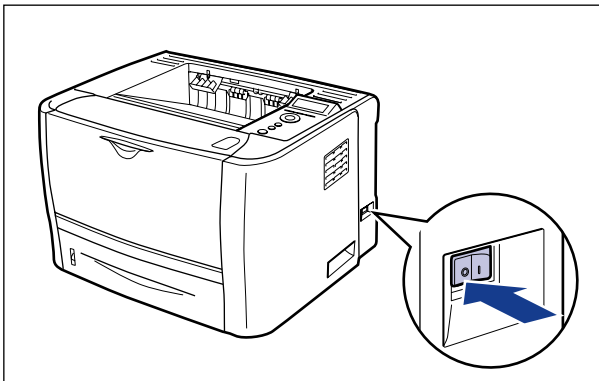
1 Make sure that the → (Job) indicator is off.



2 Press "○" of the power switch on the printer.

It is recommended that you shut down the printer before turning it OFF. (See "Shutting Down the Printer," on p. 3-4)

If you are using WSD, the shutdown notifies the computer that the printer is turned OFF.



Using the Printer

3

CHAPTER

This chapter describes the basic functions of this printer.


Power Saving (Power Save Mode)	3-2
Shutting Down the Printer	3-4
Online and Offline	3-6
Placing the Printer Online	3-6
Placing the Printer Offline	3-7
Direct Print	3-8
Direct Print	3-8
Direct Printing from the Remote UI	3-9
Direct Printing from Command Prompt	3-14
Print Mode	3-15
Canceling a Job	3-16
Outputting Data (Forced Output)	3-16
Canceling a Job (Cancel Job)	3-17
Canceling the Process Currently Being Performed (Soft Reset)	3-18
Canceling All the Jobs (Hard Reset)	3-19

Power Saving (Power Save Mode)

You can reduce power consumption efficiently by using Power Save Mode when the printer is idle or not in use.

There are the following two kinds of Power Save Mode.

NOTE

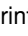
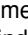
- To configure the printer so that it does not enter Power Save Mode, set POWER SAVE MODE (See p. 6-11) to OFF.
- To configure the printer so that it does not enter Power Save Mode when an error is occurring in the printer (when the  (Message) indicator is on, or the number in the message blinks), set PWR SAVE IN ERR (See p. 6-12) to OFF.

■ Power Save Mode 1 (Panel Off Mode) ... Power-saving effect: Small

The printer enters Power Save Mode 1 when it is in the following condition.

Condition
POWER SAVE MODE is set to DEEP SLEEP or PANEL OFF.
The panel operation has not been performed and no data has been sent from the computer for the time specified in POWER SAVE TIME (See p. 6-12). (You can select 5 minutes, 15 minutes, 30 minutes, 60 minutes, or 180 minutes for POWER SAVE TIME, and the default value is 15 minutes.)

NOTE

- When the printer enters Power Save Mode 1, only the  (Ready) indicator and Power indicator come on. However, when the printer is offline, only the  (Message) indicator and Power indicator come on.
- Power Save Mode 1 can be released when the printer is in any of the following status:
 - When any key on the control panel is pressed
 - When an error is occurring
 - When the printer receives data from the computer (Only when the printer is online)
 - When the settings for [Utility Menu] are specified in the Remote UI
 - When the settings for [Device Control] are specified in the Remote UI

■ Power Save Mode 2 (Deep Sleep Mode) ... Power-saving effect: Large

The printer enters Power Save Mode 2 when it is in the following condition.

Condition
POWER SAVE MODE is set to DEEP SLEEP.
The printer has already entered Power Save Mode 1.
USB in I/F CONNECTION is set to OFF.
APPLETALK in NETWORK MENU is set to OFF.
SMB SERVER in NETWORK MENU is set to OFF*.
There is no job on the print queue.
The printer has not communicated on the network for more than 15 seconds.

* Even when SMB SERVER is set to ON, the printer enters Power Save Mode 2 if the "server name" for SMB is not entered.

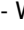


IMPORTANT

Even if POWER SAVE MODE is set to PANEL OFF or OFF, the printer enters Power Save Mode 2 when [Deep Sleep] is executed in [Device Control] in the Remote UI.



NOTE

- When the printer enters Power Save Mode 2, only the Power indicator comes on.
- Power Save Mode 2 can be released when the printer is in any of the following status:
 - When the  (Online) key on the control panel is pressed
 - When the printer receives data from the computer (Only when the printer is online)
 - The settings for [Utility Menu] are specified in the Remote UI
- The printer does not enter Power Save Mode 2 in the state where a DHCP communication can be done.

Shutting Down the Printer

It is recommended that you shut down the printer using the following procedure when you want to turn the printer OFF.

 **NOTE**

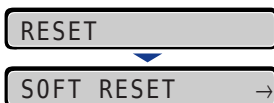
If you are using WSD, the shutdown notifies the computer that the printer is turned OFF.

3

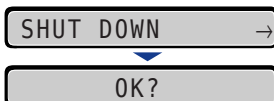
Using the Printer



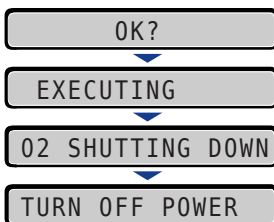
1 Press the  (Reset) key.



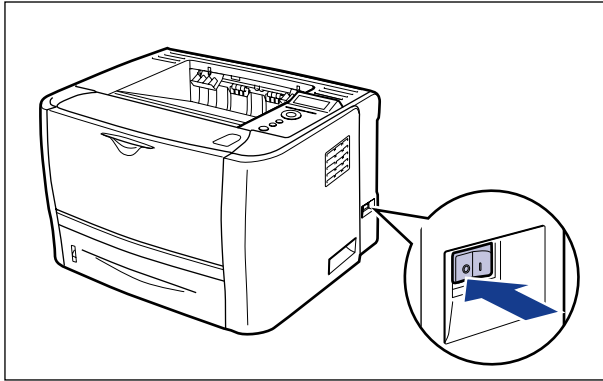
2 Display SHUT DOWN using [◀] and [▶], then press [OK].



3 Press [OK].



- 4** When the message <TURN OFF POWER> appears, press "○" of the power switch.



Online and Offline

When the printer can receive data from the computer and print the data, the printer is in the state of "Online", and when the printer is disconnected with the computer and cannot receive data, the printer is in the state of "Offline".

To perform the settings for each menu using the control panel, switch the printer status as follows:

O: The status that you can enter the menu

-: The status that you cannot enter the menu

	When the printer is online	When the printer is offline
SETUP Menu	<input type="radio"/> *	<input type="radio"/>
SELECT FEEDER Menu	<input type="radio"/>	<input type="radio"/>
RESET Menu	<input type="radio"/>	<input type="radio"/>
JOB Menu	<input type="radio"/>	-
UTILITY Menu	<input type="radio"/>	-


* The USER MAIN. options cannot be specified when the printer is online.

Placing the Printer Online

When printing from the computer, the printer has to be online. Before printing, make sure that the printer is online. If not, place the printer online using the following procedure. The printer comes online automatically after you turn it ON.




1 Press the (Online) key.

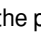
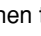
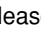
The  (Online) indicator comes on, and the printer is ready to print.



IMPORTANT

When an error is occurring in the printer (when the  (Message) indicator is on, or the number in the message blinks), the printer does not come online. Eliminate the cause of the error before you place the printer online.

 **NOTE**


If the printer has entered Power Save Mode 1, the  (Online) indicator is off even when the printer is online, and only the  (Ready) indicator and Power indicator are on. If the printer has entered Power Save Mode 2, only the Power indicator is on. If the printer receives data while it is in Power Save Mode, the mode is released, the  (Online) indicator comes on, and the printer is ready to print.

Placing the Printer Offline

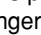
To configure the printer so that it does not receive data from the computer or specify the settings for all the items in the SETUP menu, place the printer offline using the following procedure.



1 Press the (Online) key.

The  (Online) indicator goes off, allowing you to specify the settings on the control panel.

 **IMPORTANT**

This printer comes online automatically if left in the offline state for five minutes or longer. However, when an error is occurring in the printer (when the  (Message) indicator is on, or the number in the message blinks), or while you are performing any setting, such as selecting the menu functions or a paper source, or when specifying the paper size, the printer does not come online.

Direct Print

Direct Print

The direct print function is a function that transmits a file from the host terminal to the printer without the printer driver and allows the printer to detect the file and print. Therefore, you do not need to open a file to print.

To perform printing, from the Remote UI, specify the image file in TIFF/JPEG format that you want to print.

This printer also supports direct printing by command entry from Command Prompt (the LPR command).

■ Printing from the Remote UI (See p. 3-9)

■ Printing from Command Prompt (See p. 3-14)

IMPORTANT

Note the following when printing image files using the direct print function.

- JPEG data is in compliance with the specifications of ITU-T recommendation T.81. TIFF data is in compliance with the specifications of Adobe TIFF Revision 6.0.
- The supporting status of encoding methods for JPEG data is as follows.
 - Supported encoding method
 - DCT baseline
 - Unsupported encoding methods
 - DCT extension
 - Reversible compression
 - Hierarchical
- The supporting status of encoding methods for TIFF data is as follows.
 - Supported encoding methods
 - Uncompressed
 - ITU-T recommendation T.4 One-dimensional coding
 - ITU-T recommendation T.4 Two-dimensional coding
 - ITU-T recommendation T.6 Basic facsimile coding
 - ITU-T recommendation T.81 JPEG (Basic DCT only)
 - PackBits (Apple Macintosh PackBits)
 - Unsupported encoding methods
 - LZW
 - ITU-T recommendation T.82 JBIG
 - ITU-T recommendation T.43 JBIG
 - ITU-T recommendation T.44 MRC

Direct Printing from the Remote UI

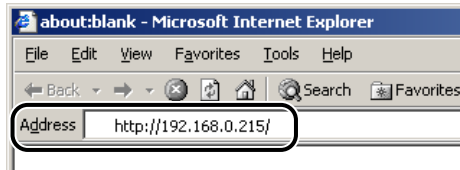
You can perform direct printing from the Remote UI by specifying a image file in TIFF/JPEG format. For details on the Remote UI, see "Remote UI Guide".

NOTE

Even if you cannot print or the printing position is skewed by the direct print function, you may be able to print successfully by opening the file from the application and using the printer driver.

1 Run the web browser, enter the following URL in the address entry field, and then press the [ENTER] key on your keyboard.

http://<the IP address of the printer>/

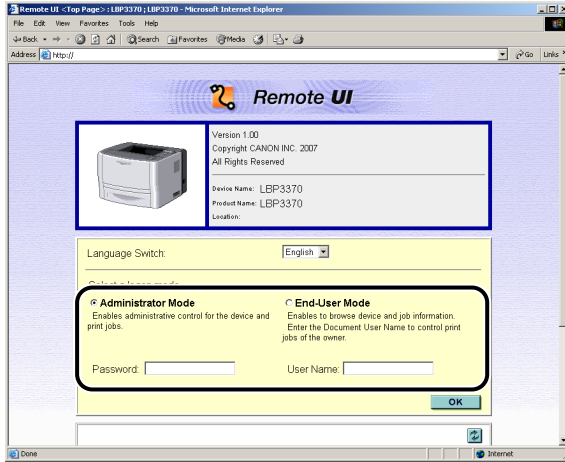


NOTE

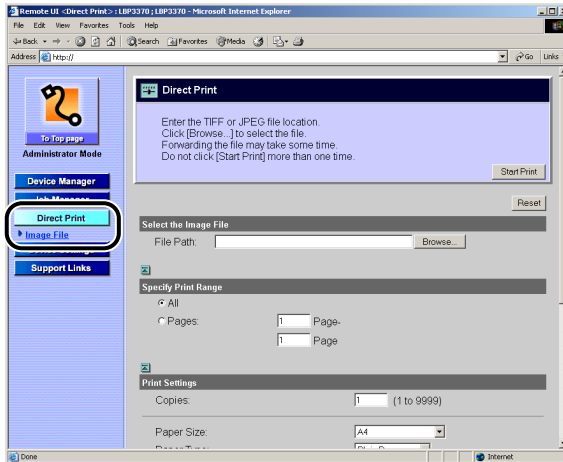
- If you are not sure about the IP address of the printer, ask your network administrator.
- If the host name of the printer is registered in the DNS server, you can enter ["hostname"."domain name"] instead of the IP address.
Example: http://my_printer.xy_dept.company.com/

2 Select the mode in which you want to log on to the Remote UI ([Administrator Mode] or [End-User Mode]), then click [OK].

If you select [Administrator Mode], enter the values for [Password], and then click [OK].

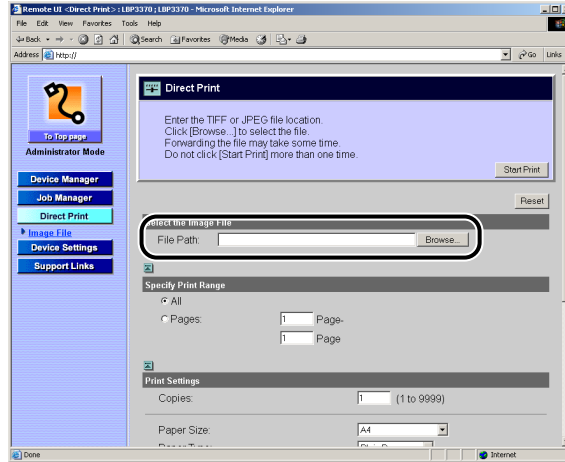


3 Select the [Direct Print] menu.



4 Specify [File Path].

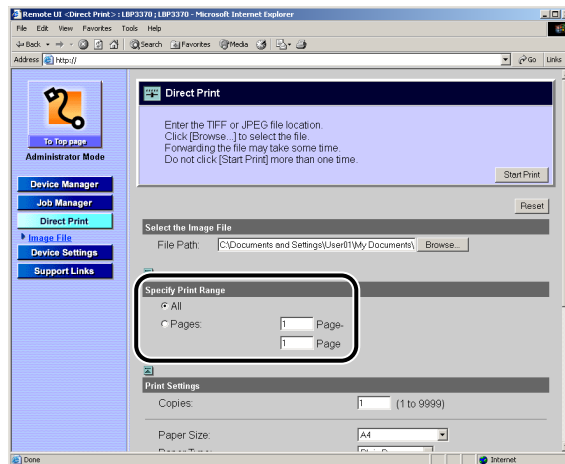
Click [Browse], select the file, and then click [Open].



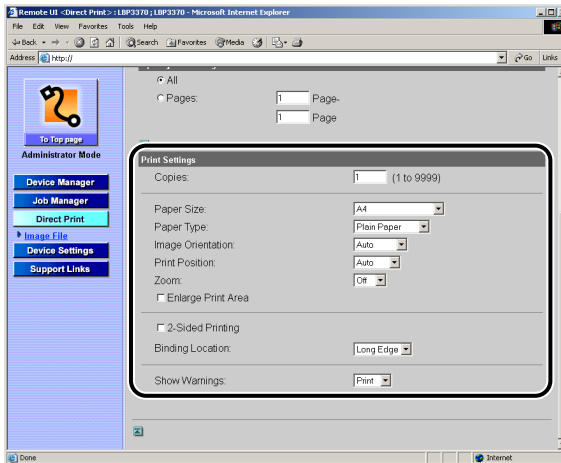
5 Specify the print range.

If [Specify Print Range] is set to [All], entire range of the file is printed.

If [Specify Print Range] is set to [Pages], data is printed on the print range specified by page number. Enter the starting page number and ending page number.



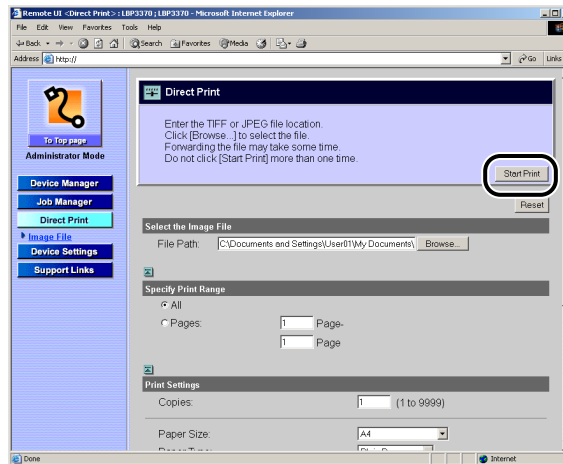
6 Specify the settings for [Print Settings] as the following, as needed.



- | | |
|----------------------|--|
| [Copies] | Enter the number of copies (1 to 9999) to be printed. |
| [Paper Size] | Specify the size of the paper to be printed. |
| [Paper Type] | Specify the type of the paper to be printed. |
| [Image Orientation] | Select the orientation of the image to be printed from [Auto], [Vertical] (portrait), and [Horizontal] (landscape). |
| [Print Position] | Select the printing position for the image from [Auto], [Center], and [Top Left]. If [Auto] is selected, and if the data to be printed is in TIFF format in which the printing position is specified, the image is printed on the specified position. If a printing position is not specified, the image is printed in the center of the paper. You cannot specify a printing position for data in JPEG format. Therefore, if [Auto] is selected, the image is printed in the center of the paper. |
| [Zoom] | Select [Off] or [Auto] based on whether the printer should print with scaling outputs according to the printable area. |
| [Enlarge Print Area] | Specifies whether the printer should print a document with its printable area expanded. If the check box for this option is selected, the printer prints with the printable area expanded to the edges of the paper, with no margins. However, the edges of the printout may be partly missing depending on the property of the document to be printed. |
| [2-Sided Printing] | Specifies whether the printer should perform automatic 2-sided printing. If the check box for this option is selected, the printer prints on both sides of the paper. |

- [Binding Location] Select the binding location for 2-sided printing from [Short Edge] and [Long Edge].
- [Show Warnings] Select the display setting for the warning message in case of an error occurring from [Print], [Panel], and [Off].
 [Print]: The printer prints the content of the error and exits the job.
 [Panel]: The error message appears in the display, and the printer stops printing.
 [Off]: The printer exits the job without displaying anything even if an error occurs.

7 Click [Start Print].



NOTE

- To reset the settings to the default values, click [Reset].
- Do not click [Start Print] repeatedly during the transmission of an image file. It may take a long time to transmit an image file. If you click the button repeatedly during the transmission, you may have a problem with the image file, failing to transmit the file.

Direct Printing from Command Prompt

You can perform direct printing from Command Prompt using LPR. Enter the command using the following format. You cannot use any other commands.

`lpr (a space) -P (a space) <the printer name> (a space) <the file name>`

The printer name: Enter the name of the printer. You can check the printer name using the following procedure.

1. Run the web browser, enter the following URL in the address entry field, and then press the [ENTER] key on your keyboard.
`http://<the IP address of the printer>/`
2. Click [Information] from the [Device Manager] menu.
3. Check [Device Name] in [Device Information].

The file name: Enter the name of the file to be printed.

<Input Example: If the printer name is "LBP-Printer" and the file name is "sample.jpg">

`lpr -P LBP-Printer sample.jpg`

NOTE

The settings specified using the printer's control panel become effective. The settings that can be used by the direct printing function are the following SETUP menu. For details on the settings in each menu, see "Chapter 6 Printing Environment Settings".

- CONTROL MENU Options
- FEEDER MENU Options
- LAYOUT MENU Options
- QUALITY MENU Options
- INTERFACE MENU Options
- USER MAIN. Options
- IMAGING SETUP Options

Print Mode

The following shows the emulation modes that can be used with this printer.

■ PCL Mode

PCL is a command system to control page printers developed by Hewlett-Packard Company.

Print data of PCL-compatible applications in this mode. If the supplied PCL printer driver is installed, data is printed in the PCL mode.

■ IMAGING Mode

This mode is used by "Direct Print" that transmits a file from the host terminal to the printer without the printer driver and allows the printer to detect the file and print.

NOTE

If such a printing problem as unreadable characters being printed occurs, print with the print mode fixed at the appropriate one for the print data (See "MODE SELECTION," on p. 6-36).

Canceling a Job


When a part of print data has already been sent to the printer, the print job may not be finished even if you cancel the job from the computer. In this case, you can output the data to finish the printing process of the printer or cancel the job being processed in the printer or all the jobs.

3


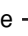
Outputting Data (Forced Output)

When a job is canceled from the computer or the data is less than one page, the data may remain in the printer memory, and the job may not be completed properly. As long as the printer remains in this state, you cannot print the next job because the printer cannot receive the next data. In this case, force the printer to output the print data using the following procedure.

IMPORTANT

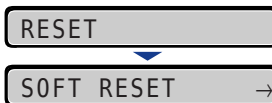
- Print data from PCL/UFR II Printer Driver cannot be output.
- If you have output data, the data being printed is deleted. Print the data from the computer again as needed.
- You cannot output data while the  (Message) indicator is on. If you want to delete the received data, perform a soft reset. (See p. 3-18)

NOTE

- The  (Job) indicator is on when any print data remains in the printer memory or when no print data remains in the printer but a job has not yet been completed.
- If MODE TIMEOUT is specified for the job, even data less than one page is output when the specified time has elapsed (Data from PCL/UFR II Printer Driver is not output.). MODE TIMEOUT for a job is set to 15 seconds in the default settings.
- If the  (Job) indicator does not go off even after outputting the data, perform a soft reset. (See p. 3-18)



1 Press the (Reset) key.



The RESET menu is displayed.



2 Select **FORM FEED** using [◀] and [▶], then press [OK].


FORM FEED →

The data remaining in the memory is printed.

Canceling a Job (Cancel Job)

If you want to cancel the job currently being printed, perform "Cancel Job" using the following procedure. A job cancel allows you to cancel the job currently being received or processed. This option does not affect the next print data or the jobs that have not been processed yet.

IMPORTANT

- Cancel the job while the printer is processing the data (While the ⇄ (Job) indicator is on or blinking). No job is canceled by pressing the  (Cancel Job) key when the ⇄ (Job) indicator is off.
- The data that has already been processed and is being printed (started to be output) cannot be canceled. In this case, the next print data may be canceled.
- When there is any print data sent from a printer driver other than that for this printer, multiple data may be canceled.

NOTE

When canceling a job you may not be able to cancel the job even if <03 CANCELING JOB> is displayed.

Cancel a job using the following procedure. When canceling a job be sure that the ⇄ (Job) indicator is on or blinking (the job that you want to cancel is being received or being processed).



1 Press the  (Cancel Job) key.



2 When canceling the job, press [OK].

CANCEL?
▼
03 CANCELING JOB
▼
00 READY A4

<03 CANCELING JOB> appears, and the print data being processed is canceled. The job is canceled when <00 READY> appears.

IMPORTANT

You cannot operate the printer while <03 CANCELING JOB> is displayed.

Canceling the Process Currently Being Performed (Soft Reset)

If you want to cancel the process currently being performed, perform SOFT RESET using the following procedure. A soft reset deletes the print data received by all the interfaces, the job being processed, and the print data in the printer memory.

IMPORTANT

- Be sure to operate the printer from the computer to cancel printing before canceling the job from the printer (Soft Reset).
- When a soft reset is performed, the data being printed and the data being received by all the interfaces is deleted. Therefore, perform printing from the computer again as needed.
- The data that has been already sent to the memory are all deleted even if it is the data of other interface. If you are using the printer on a network, be careful so this operation does not affect the data from other computers when performing this procedure.

NOTE

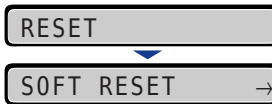
Hard resets delete all the registered files such as the form data saved in the RAM of the printer, but soft resets do not delete them.

3

Using the Printer



1 Press the // (Reset) key.



The RESET menu is displayed.



2 Select SOFT RESET using [◀] and [▶], then press [OK].

Holding down [OK] 3 seconds or more is the operation for HARD RESET.



When <03 SOFT RESET> disappears, the soft reset is completed.

Canceling All the Jobs (Hard Reset)

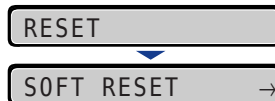
When you want to delete all the jobs and data sent to memory for some reason, perform HARD RESET using the following procedure. A hard reset deletes the print data received by all the interfaces, the job being processed, and the print data in the printer memory.

IMPORTANT

- If the printer is reset while it is receiving data, the data that has not yet been sent to the memory will be sent after the reset. However, the data may not be printed properly.
- The data that has been already sent to the memory are all deleted even if it is the data of other interface. If you are using the printer on a network, be careful so this operation does not affect the data from other computers when performing this procedure.



1 Press the **//** (Reset) key.



The RESET menu is displayed.



2 Select SOFT RESET using [**◀**] and [**▶**].



3 Hold down [OK] until HARD RESET is displayed, then release the button.

Hold down the button (approximately 3 seconds) until HARD RESET is displayed. Holding down the button less than 3 seconds is the operation for SOFT RESET.



When <03 HARD RESET> disappears, the hard reset is completed.

Paper Loading and Output Tray

4

CHAPTER

This chapter describes the types of paper that can be used with this printer, and how to load and output paper.

Paper Requirements	4-2
Usable Paper	4-2
Printable Area	4-6
Unusable Paper	4-7
Storing Paper	4-8
Storing Printouts	4-9
Paper Source	4-10
Paper Source Type	4-10
Paper Capacity for Paper Source	4-10
Selecting a Paper Source	4-11
Precautions for Handling the Multi-purpose Tray or Paper Cassette	4-12
Output Trays	4-13
Output Tray Types	4-13
Paper Capacity of the Output Trays	4-15
Selecting an Output Tray	4-16
Loading Paper in the Paper Cassette	4-17
Precautions on Loading Paper	4-18
Loading Standard Size Paper	4-20
Loading Custom Size Paper	4-25
Specifying the Size of the Paper in the Paper Cassette	4-30
Loading Paper in the Multi-purpose Tray	4-33
Loading Paper (Other than Envelopes)	4-35
Loading Envelopes	4-39
Specifying the Size of the Paper in the Multi-purpose Tray	4-44
2-sided Printing	4-47
Switching Between Automatic 2-sided Printing and 1-sided Printing	4-48
Setting the Paper Size Switch Lever	4-49
Paper Loading Orientation	4-51

Paper Requirements

IMPORTANT

- Print speed may drop depending on the settings for the paper size, paper type, and total print pages.
 - Envelope: Approximately 6 ppm
- When continuously printing the paper of 264.4 mm long or less, the safety function that prevents damages caused by heat may slow the print speed down in stages. (The print speed may be as slow as approximately 6 ppm.)

4

Usable Paper

Paper Size

The following shows the paper sizes that can be used with this printer. The symbol "●" indicates the paper that can be used for 1-sided printing and automatic 2-sided printing, the symbol "○" indicates the paper that can be used for only 1-sided printing, and the symbol "-" indicates the paper that cannot be used.

Paper Size	Paper Source		
	Multi-purpose Tray	Cassette 1	Cassette 2 (Optional)
A4	●	●	●
B5	○	○	○
A5	○	○	○
Legal	●	●	●
Letter	●	●	●
Executive	○	○	○
Statement	○	-	-
16K	○	-	-
Custom Size	○*1	○*2	○*2

Paper Size	Paper Source		
	Multi-purpose Tray	Cassette 1	Cassette 2 (Optional)
Envelope			
Envelope DL 110.0 mm x 220.0 mm	○	-	-
Envelope COM10 104.7 mm x 241.3 mm	○	-	-
Envelope C5 162.0 mm x 229.0 mm	○	-	-
Envelope Monarch 98.4 mm x 190.5 mm	○	-	-
Envelope B5 176.0 mm x 250.0 mm	○	-	-
Index Card 76.2 mm x 127.0 mm	○	-	-

*1 You can load paper of the following custom sizes.

- When loading paper in portrait orientation: Width 76.2 to 215.9 mm; Length 127.0 to 355.6 mm
- When loading paper in landscape orientation (Only when UFR II Printer Driver is used): Width 127.0 to 215.9 mm; Length 127.0 to 215.9 mm

*2 You can load paper of the following custom sizes.

- When loading paper in portrait orientation: Width 148.0 to 215.9 mm; Length 210.0 to 355.6 mm
- When loading paper in landscape orientation (Only when UFR II Printer Driver is used): Width 210.0 to 215.9 mm; Length 210.0 to 215.9 mm

Paper Type

The following shows the paper types that can be used with this printer. The symbol "●" indicates the paper that can be used for 1-sided printing and automatic 2-sided printing, the symbol "○" indicates the paper that can be used for only 1-sided printing, and the symbol "-" indicates the paper that cannot be used.

Paper Type	Paper Source		
	Multi-purpose Tray	Cassette 1	Cassette 2 (Optional)
Plain paper (60 - 89 g/m ²)*	●	●	●
Heavy paper (90 - 120 g/m ²)	●	●	●
Heavy paper (121 - 163 g/m ²)	○	-	-
Transparency	○	-	-
Label	○	-	-
Index Card	○	-	-
Envelope	○	-	-

* 100 % recycled paper (60 - 89 g/m²) can be used as plain paper.

■ Plain paper

This printer can print plain paper that is 76.2 to 215.9 mm wide, 127.0 to 355.6 mm long, and that weighs between 60 and 89 g/m², including the standard paper sizes: A4, B5, A5, Legal, Letter, Executive, Statement, and 16K.

A4, Legal, and Letter sizes can be used for automatic 2-sided printing.

* 100 % recycled paper (60 - 89 g/m²) can be used as plain paper.

■ Heavy paper

This printer can print heavy paper that is 76.2 to 215.9 mm wide, 127.0 to 355.6 mm long, and that weighs between 90 and 163 g/m², including the standard paper sizes: A4, B5, A5, Legal, Letter, Executive, Statement, and 16K.

Heavy paper that weighs between 90 and 120 g/m² can be loaded in the paper cassettes and multi-purpose tray. Heavy paper that weighs between 121 and 163 g/m² can be loaded in the multi-purpose tray. Also, paper at a size of A4, Legal, or Letter that weighs between 90 and 120 g/m² is available for automatic 2-sided printing.

■ Transparency

This printer can print A4 and Letter size transparencies.

You can feed transparencies from the multi-purpose tray.

■ Label

This printer can print A4 and Letter size labels.

You can feed labels from the multi-purpose tray.



IMPORTANT

Do not use the labels in the following conditions. Using inappropriate labels may result in paper jams that are difficult to clear or may result in damage to the printer.

- Peeled labels or partly used labels
- Coated labels that are easily peeled off from the backing sheet
- Labels with uneven adhesive

■ Index Card

This printer can print Index Card.

You can feed Index Card from the multi-purpose tray.



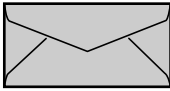
IMPORTANT

If Index Card is curled, flatten the curls by warping it in the opposite direction before loading it.

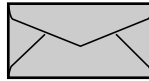
■ Envelope

The envelopes that can be used with this printer are as follows.
You can feed envelopes from the multi-purpose tray.

Envelope DL
(110.0 mm x 220.0 mm)



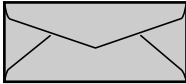
Envelope Monarch
(98.4 mm x 190.5 mm)



Envelope B5
(176.0 mm x 250.0 mm)



Envelope COM10
(104.7 mm x 241.3 mm)



Envelope C5
(162.0 mm x 229.0 mm)



* You cannot use envelopes at sizes of DL, COM 10, Monarch, and C5 that have a flap on the short edge.



IMPORTANT

- Do not use the following types of envelopes. Using inappropriate envelopes may result in paper jams that are difficult to clear or may result in damage to the printer.
 - Envelopes with fasteners or snaps
 - Envelopes with address windows
 - Envelopes with adhesive on the surface
 - Wrinkled or creased envelopes
 - Poorly manufactured envelopes in which the glued parts are uneven
 - Irregularly-shaped envelopes
- Before loading the envelopes, flatten the stack of envelopes to release any remaining air, and press the fold lines along the edges tight.
- Do not print on the reverse side (glued side) of envelopes.
- Printing speed drops when printing envelopes.



NOTE

When printing envelopes, they may be creased.

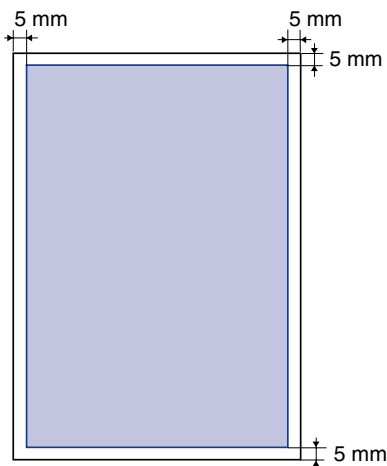
Printable Area

The following shows the printable area of this printer. However, if you have selected the [Print with Upper Left of Sheet as Starting Point] check box in the [Finishing Details] dialog box in UFR II Printer Driver, you can extend the printable area to near the edges of the paper. For more details, see Help of UFR II Printer Driver.

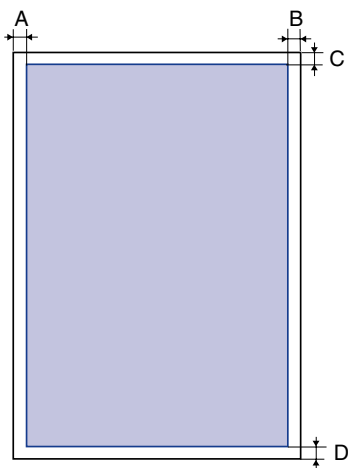
■ Plain Paper/Heavy Paper/Transparency/Label/Index Card

The printable areas are as follows.

- UFR II Printer Driver



- PCL5e/PCL6 Printer Driver



Paper Size	A: Left Edge	B: Right Edge	C: Top Edge	D: Bottom Edge
A4	6.1	6.1	5.0	5.0
B5	6.1	6.1	5.0	5.0
A5	6.1	6.1	5.0	5.0
Legal	6.4	6.4	5.0	5.0
Letter	6.4	6.4	5.0	5.0
Executive	6.4	6.4	5.0	5.0
Statement	6.4	6.4	5.0	5.0
16K	6.4	6.4	5.0	5.0
Custom Size	6.4	6.4	5.0	5.0
Index Card	10.0	10.0	10.0	10.0

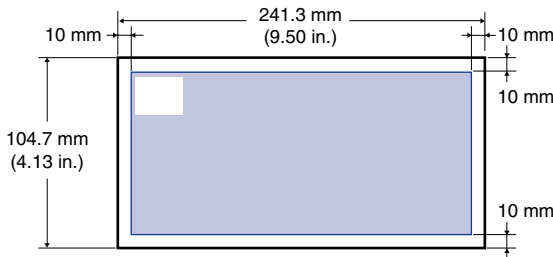
(Unit: mm)

■ Envelope

You cannot print on any area within 10 mm of the edges of paper.

You may have to change the printable area before printing, depending on the application you use.

(Sample: Envelope COM10)



Unusable Paper

4

To avoid problems such as paper jams and other malfunctions, the following types of paper should never be used:



IMPORTANT

- Paper that jams easily
 - Paper that is too thick or too thin
 - Irregularly-shaped paper
 - Wet or moist paper
 - Torn or damaged paper
 - Rough, extremely smooth, or glossy paper
 - Paper with binding holes or perforations
 - Curled or creased paper
 - Specially coated paper (coated paper for inkjet printers, etc.)
 - Labels with backing sheet that is easily peeled off
 - Paper that has already been printed by a copy machine or another laser printer (The reverse side of the paper is also unusable. Using the multi-purpose tray, however, you can perform 2-sided printing manually on the other side of paper previously printed by this printer. You cannot print on the printed side again.)
 - Paper with jagged edges (paper that has been poorly cut)
 - Wrinkled paper
 - Paper with the corners folded
- Paper that changes its quality at a high temperature
 - Paper that contains ink that melts, burns, evaporates or emits harmful gases at or lower than the heating temperature (approx. 270 °C or 518 °F) of the fixing unit
 - Heat-sensitive paper
 - Treated color paper
 - Specially coated paper (coated paper for inkjet printers, etc.)
 - Paper with adhesive on the surface

- Paper that damages the printer
 - Carbon paper
 - Paper with staples, clips, ribbons or tapes
 - Paper that has already been printed by a copy machine or another laser printer (The reverse side of the paper is also unusable. Using the multi-purpose tray, however, you can perform 2-sided printing manually on the other side of paper previously printed by this printer. You cannot print on the printed side again.)
- Paper that is difficult for the toner to fix onto
 - Paper with rough surfaces
 - Specially coated paper (coated paper for inkjet printers, etc.)
 - Paper containing thick fibers

Storing Paper

4

The quality of paper may deteriorate if it is stored improperly even when the paper meets the normal specifications. Inferior paper may cause misfeeds, paper jams, or deterioration in print quality.

Observe the following guidelines when storing and handling paper:

IMPORTANT

- Store paper away from moisture.
- Paper wrappers help avoiding moisture and dryness. Keep paper in the wrapper until it is ready to be used. Store all unused paper in a wrapper.
- Store paper on a flat surface.
- Do not store paper on the floor where water and moisture can accumulate.
- When you store paper, prevent it from curling or being folded.
- Do not store paper vertically or store too many stacks of paper in one pile.
- Do not store paper in places exposed to direct sunlight or places with low humidity.
- If the paper storage room and work area differ from each other significantly in temperature or humidity, keep packed paper stack in the work area for at least one day prior to printing so that it can adapt to the new environment. When paper is moved to a location where the temperature or humidity differs significantly, the paper may curl or become creased.

Storing Printouts

When handling or storing printouts printed by this printer, be careful of the following points:



IMPORTANT

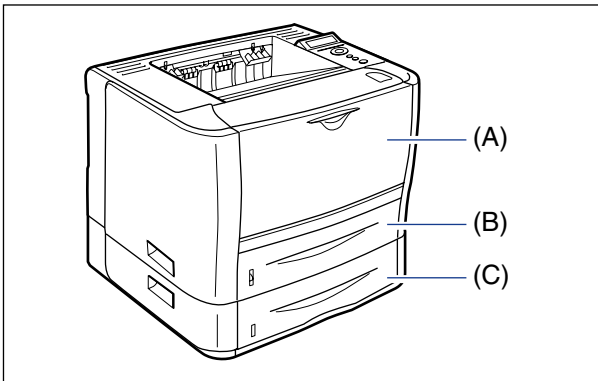
- Avoid storing printouts with PVC materials such as clear folders. Otherwise toner may melt and stick to the PVC material.
- Use insoluble adhesive when gluing printouts. Toner may melt when soluble adhesive is used. Before using the adhesive, test it with paper that is no longer required. Make sure that the printed paper is completely dry before placing one over another. Toner may melt if they are placed together half-dried.
- Store paper on a flat surface. Toner may peel when they are folded or creased.
- Avoid storing printouts at high temperatures. Otherwise toner may melt and blot.
- Put printouts in a binder when storing them for a long period of time (two years or longer). (Printouts may discolor when they are stored for a long period of time.)

Paper Source

Paper Source Type

This printer has the following paper sources:

- (A): Multi-purpose Tray
- (B): Cassette 1
- (C): Cassette 2 (Optional)



IMPORTANT

If you are printing from Cassette 2, make sure that Cassette 1 is set before printing. If you print from Cassette 2 when Cassette 1 is not set, this will cause paper jams.

Paper Capacity for Paper Source

Paper Type	Paper Capacity		
	Multi-purpose Tray	Cassette 1	Cassette 2 (Optional)
Plain paper (80 g/m ²)	Approx. 50 sheets	Approx. 250 sheets	Approx. 250 sheets
Heavy paper (91 g/m ²)	Approx. 40 sheets	Approx. 200 sheets	Approx. 200 sheets
Heavy paper (128 g/m ²)	Approx. 25 sheets	-	-
Transparency	Approx. 40 sheets	-	-
Label	Approx. 20 sheets	-	-
Index Card	Approx. 15 sheets	-	-
Envelope	Approx. 5 sheets	-	-

Selecting a Paper Source

A paper source can be selected using the following procedure.

■ When printing from Windows or Macintosh

Select a paper source in the printer driver. Because the default setting for the paper selection in the printer driver is [Auto], if a paper size is specified by an application, the printer selects the paper source automatically and feeds paper from the paper source. Even when the paper source runs out of paper during printing, if paper of the same size is loaded in other paper source, the paper source is switched automatically and the paper is fed.

If you want to specify a paper source, select the paper source in the printer driver. For more details on using the printer driver, see Help of the printer driver.

■ When printing from DOS or UNIX

When you are printing from DOS, UNIX, or other operating system on which you cannot use the printer driver, select a paper source using the control panel. The default setting for this printer's paper source is set to AUTO.

Select a paper source with the printer's control panel using the following procedure.



1 Press the (Feeder Selection) key.

PAPER SOURCE →

PAPER SOURCE is displayed in the display.



2 Select PAPER SOURCE using [◀] and [▶], then press [OK].



PAPER SOURCE →



=AUTO →



3 Select the paper source using [◀] and [▶], then press [OK].




CASSETTE 1 →



=CASSETTE 1 →



NOTE

- CASSETTE 2 is displayed only when the paper feeder is installed.
- If paper of the same size is loaded in two or more paper sources when the paper source setting is specified to be selected automatically, paper is fed from the upper paper source regardless of the status of the  (Paper Source) indicators. When the paper source runs out of paper, the paper source automatically switches to other one in which paper of the same size is loaded.

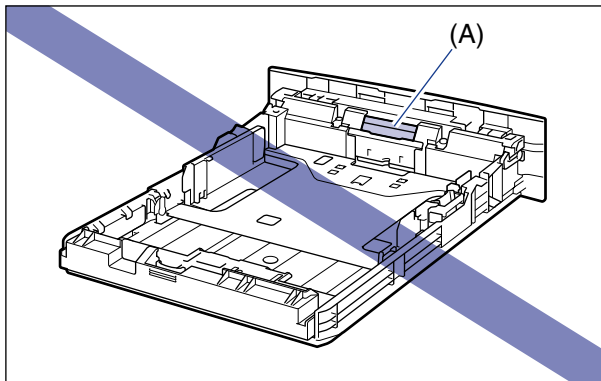
Precautions for Handling the Multi-purpose Tray or Paper Cassette

Be careful of the following points when handling the multi-purpose tray or paper cassette.



IMPORTANT

- Be sure to turn the printer ON once when loading paper in the paper cassette for the first time after installing the paper feeder.
- Do not pull out the paper cassette while the printer is printing. This may result in paper jams or damage to the printer.
- Do not touch the paper in the multi-purpose tray or pull it out during printing. This may result in a faulty operation.
- Refill the paper cassette after all the loaded paper runs out. If the cassette is refilled when paper still remains in the cassette, it may result in misfeeds.
- Do not put anything other than the printing paper on the multi-purpose tray. Also, do not press on top of or apply excessive force to the multi-purpose tray. This may result in damage to the multi-purpose tray.
- Do not touch the black rubber pad (A) in the paper cassette. This may result in misfeeds.



- If you are printing from Cassette 2, make sure that Cassette 1 is set before printing. If you print from Cassette 2 when Cassette 1 is not set, this will cause paper jams.



NOTE

Remove the paper loaded in the multi-purpose tray before closing it. Keep the multi-purpose tray closed when it is not used.

Output Trays

Output Tray Types

This printer has two output trays: "face-down output tray" on the top of the printer unit and "face-up output slot" on the rear of the printer unit.

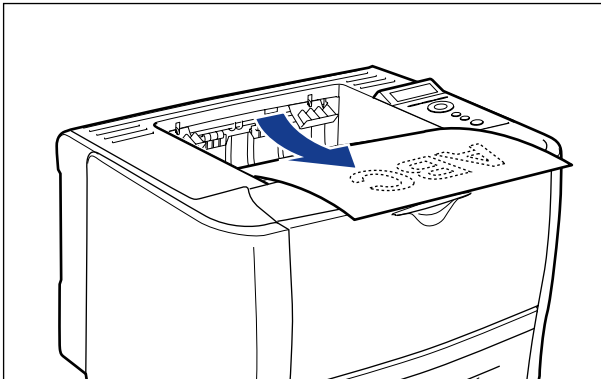
Do not switch one output tray to another during printing. This may result in paper jams.

CAUTION

- Keep your hands or clothing away from the roller in the output area. Even if the printer is not printing, sudden rotation of the roller may catch your hands or clothing, resulting in personal injury.
- The paper may be hot immediately after being output. Be careful when removing the paper as well as when aligning the removed paper, especially after printing continuously. Otherwise, this may result in burns.

Face-down Output Tray

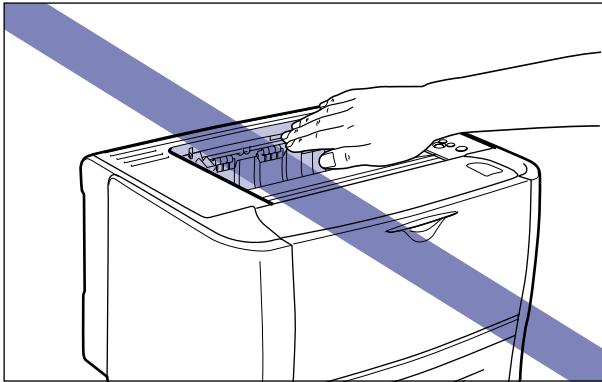
Printed paper is output to the face-down output tray with the printed side facing down.



IMPORTANT

- Do not touch the paper during automatic 2-sided printing until it is completely output to the face-down output tray. In automatic 2-sided printing, the paper is partially output once after printed on its surface and is fed again to be printed on its reverse side.
- When performing automatic 2-sided printing, the printer can output paper only to the face-down output tray.

- The surroundings of the face-down output tray are hot during printing or immediately after printing. When taking out of the paper or removing jammed paper, be careful not to touch the surroundings of the face-down output tray.



4

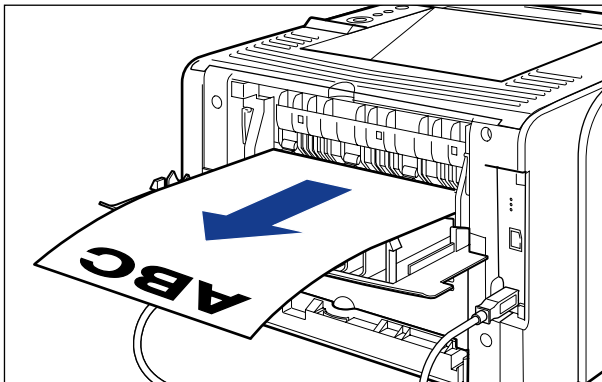
Paper Loading and Output Tray

 NOTE

The face-down output tray can hold up to approximately 125 sheets of plain paper (80 g/m²). The paper capacity varies depending on the paper type and paper size. For more details, see "Paper Capacity of the Output Trays," on p. 4-15.

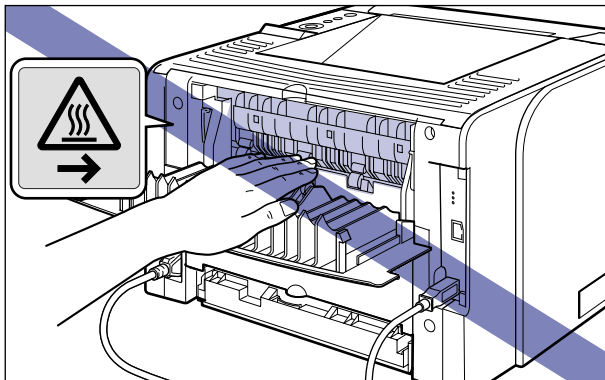
Face-up Output Slot

Printed paper is output to the face-up output slot on the rear of the printer unit with the printed side facing up. The face-up output slot is suitable to print transparencies, labels, or envelopes which tend to curl, since the printed paper is output flattened.



CAUTION

The face-up output slot and its surroundings become hot during or immediately after using the printer. Do not touch the face-up output slot and its surroundings, as doing so may result in burns.



IMPORTANT

- When outputting paper to the face-up output slot, you cannot perform automatic 2-sided printing.
- When paper is output to the face-up output slot, take out one piece at a time each time it is output.

Paper Capacity of the Output Trays

-: The paper cannot be output

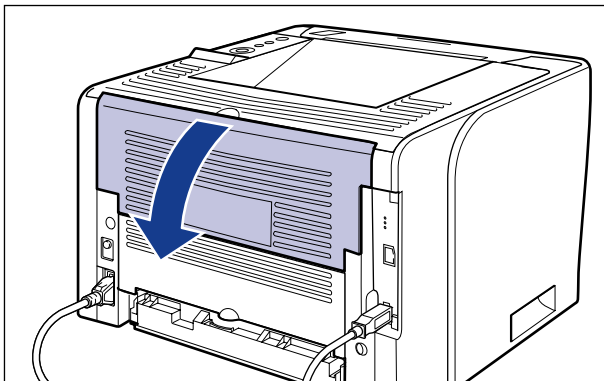
Paper Type	Output Tray*	
	Face-down Output Tray	Face-up Output Slot
Plain paper (80 g/m ²)	Approx. 125 sheets	-
Heavy paper (91 g/m ²)	Approx. 50 sheets	-
Heavy paper (128 g/m ²)	Approx. 30 sheets	1 sheet
Transparency	1 sheet	1 sheet
Label	Approx. 10 sheets	1 sheet
Index Card	Approx. 10 sheets	1 sheet
Envelope	Approx. 10 sheets	1 sheet

* Actual paper capacity varies depending on the installation environment, paper type and paper size.

Selecting an Output Tray

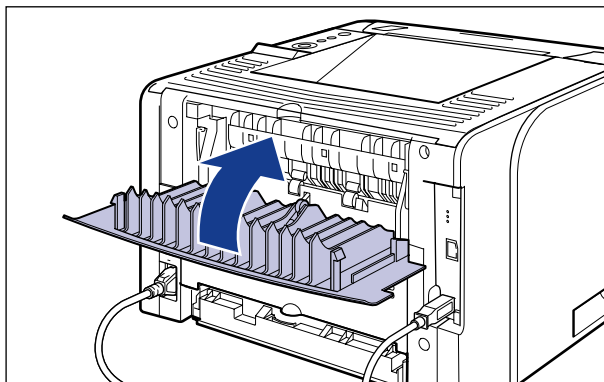
Switching to the Face-up Output Slot

When switching an output tray to the face-up output slot, open the output selection cover as shown in the figure.




Switching to the Face-down Output Tray

When switching an output tray to the face-down output tray, close the output selection cover as shown in the figure.



Loading Paper in the Paper Cassette

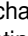
The paper cassette can be loaded with plain paper (60 to 89 g/m²), heavy paper (90 to 120 g/m²) at sizes of A4, B5, A5, Legal, Letter, Executive, and Custom Size. When the paper cassette runs out of paper, <11 NO "size" PAPER> appears in the display, or the  (Paper Source) indicator blinks indicating the status. Refill the cassette.

This printer comes with a paper cassette (Cassette 1) as standard. Cassette 2 is added by installing the optional paper feeder.

When printing from the paper cassette, you need to specify the following settings.



IMPORTANT

- Match the size of the paper loaded in the paper cassette and the paper size in the SETUP menu. If they do not match, the message <41 CHK PAPER SIZE> appears, and the printing is not performed properly.
- Match the settings for CASSETTE1 SIZE and CASSETTE2 SIZE in the SETUP menu of the printer and those in the printer driver. If they do not match, the message <PC LOAD "size"> appears. In this case, the setting values for CASSETTE1 SIZE and CASSETTE2 SIZE are changed to those in the printer driver by pressing the  (Online) key, allowing you to continue printing.
- If you are printing from Cassette 2, make sure that Cassette 1 is set before printing. If you print from Cassette 2 when Cassette 1 is not set, this will cause paper jams.
- For more details on the usable paper, see "Usable Paper," on p. 4-2.
- For details on handling the paper cassette, see "Precautions for Handling the Multi-purpose Tray or Paper Cassette," on p. 4-12.
- Do not load paper other than plain paper (60 to 89 g/m²) and heavy paper (90 to 120 g/m²). This may result in paper jams or damage to the printer.



NOTE

- Load paper in Cassette 2 (Only when the optional paper feeder is installed) in the same manner as you load paper in Cassette 1.
- If you are printing from an operating system on which the printer driver cannot be used, previously specify the paper source to CASSETTE 1 or CASSETTE 2. (See p. 4-11)

■ Loading Standard Size Paper (See p. 4-20)

■ Loading Custom Size Paper (See p. 4-25)

■ Specifying the Size of the Paper in the Paper Cassette (See p. 4-30)

If you changed the size of the paper in the paper cassette, specify the following settings using the control panel. You do not need to specify the settings if you did not change the size of the paper.

The FEEDER MENU options in the SETUP menu

- CASSETTE1 SIZE = the size of the paper loaded in Cassette 1
- CASSETTE2 SIZE = the size of the paper loaded in Cassette 2

When printing from DOS, UNIX, or other operating system on which the printer driver cannot be used, specify the following settings in addition to CASSETTE1 SIZE and CASSETTE2 SIZE.

The FEEDER MENU options in the SETUP menu

- STD PAPER SIZE = the size of the loaded paper (See p. 6-16)
- STD PAPER TYPE = the type of the loaded paper (See p. 6-19)

■ Specifying the Paper Settings in the Printer Driver (See Driver Guide)

When printing from the printer driver, specify the following settings. For more details on using the printer driver, see Help of the printer driver.

[Page Setup] Sheet

[Output Size] = the size of the loaded paper

[Paper Source] Sheet

[Paper Source] = [Cassette 1]

[Cassette 2]

[Paper Type] = [Plain Paper]: Plain Paper (60 - 89 g/m²)

[Plain Paper L]: Specify when paper curls excessively on printing with [Plain Paper] selected.

[Heavy Paper 1]: Heavy Paper (90 - 120 g/m²)

Precautions on Loading Paper

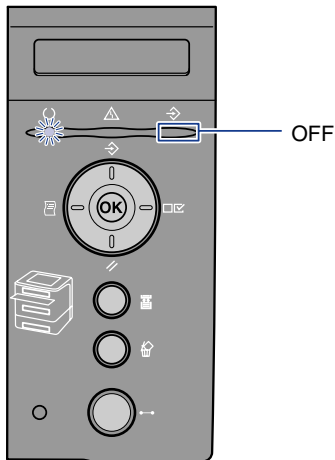
Load paper when the printer status is in any of the following. When the ⇨ (Job) indicator is blinking, the printer is printing. Do not pull out the paper cassette.



IMPORTANT

- Be sure to turn the printer ON once when loading paper in the paper cassette for the first time after installing the paper feeder.
- Be sure not to open the covers or paper cassette during printing. The printer may stop, disabling printing.

■ When the ⇄ (Job) indicator is off

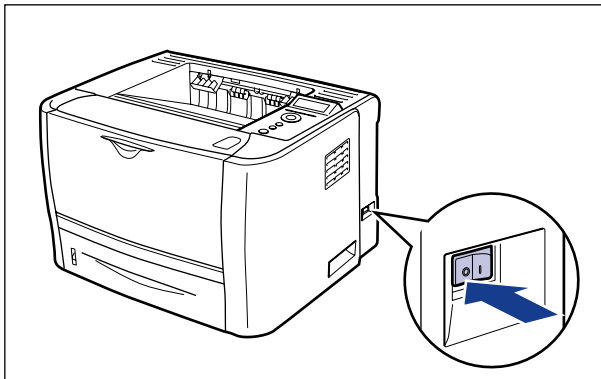


■ When a message that informs you of a paper-out condition or requests paper replacement is displayed

11 NO A4 PAPER

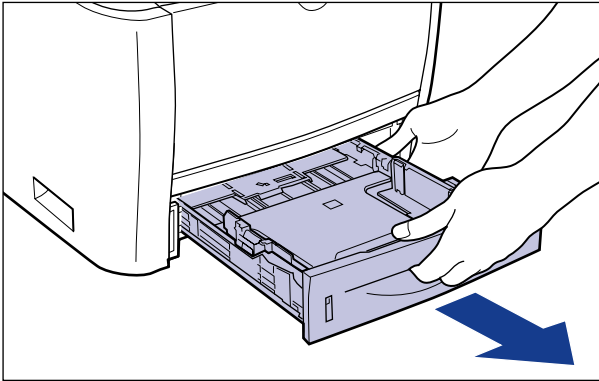
PC LOAD A4

■ When the printer is OFF



Loading Standard Size Paper

- 1 Pull out the paper cassette.**



CAUTION

Be sure to take the paper cassette out of the printer before loading paper. If paper is loaded while the paper cassette is partially pulled out, the paper cassette may drop or the printer may become damaged resulting in personal injury.

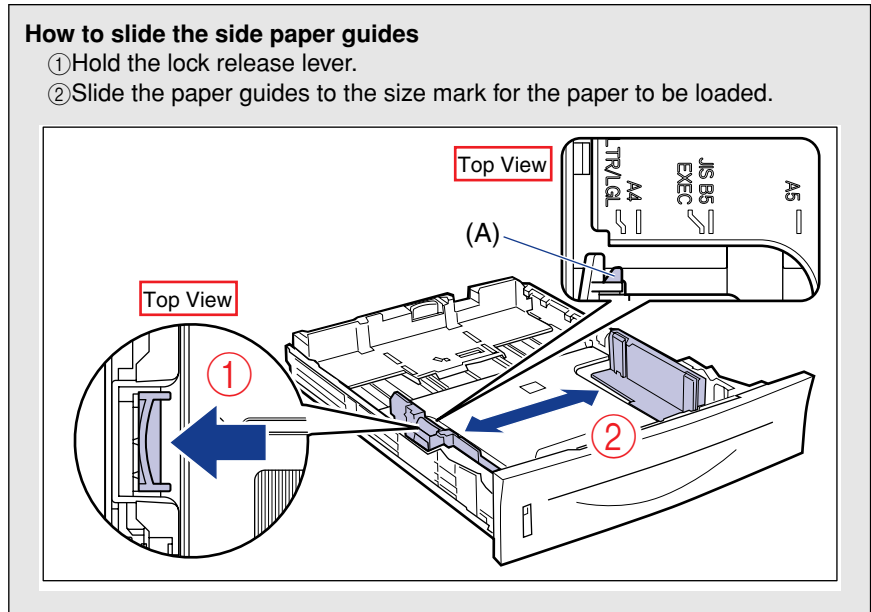
- 2 When changing the size of the paper to be loaded, change the positions of the paper guides.**

The paper sizes indicated on the paper guides are abbreviated as follows.

Paper Size	Paper Guides
Legal	LGL
Letter	LTR
Executive	EXEC

● **Slide the side paper guides to the size mark for the paper to be loaded.**

The side paper guides move together. Align the position of (A) with the mark for the size of the paper to be loaded.

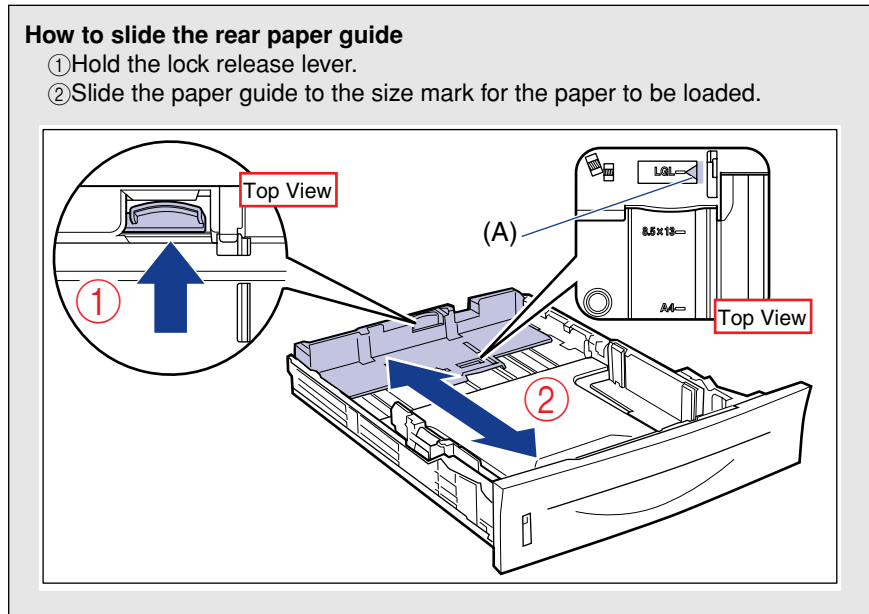


NOTE

If you are using B5 size paper (182 mm x 257 mm), set the paper guide to "JIS B5".

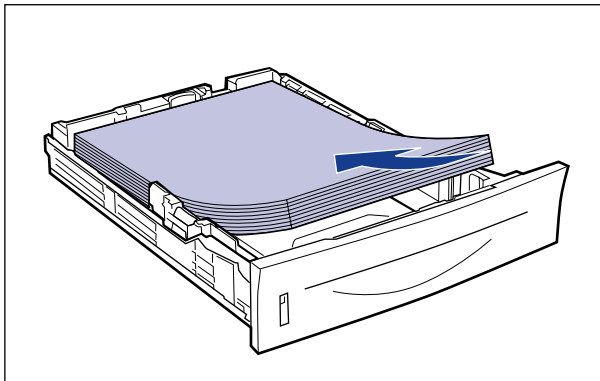
- Slide the rear paper guide to the size mark for the paper to be loaded.

Align the position of (A) with the mark for the size of the paper to be loaded.



- ⓘ **IMPORTANT**
Do not use the "8.5 x 13" position.

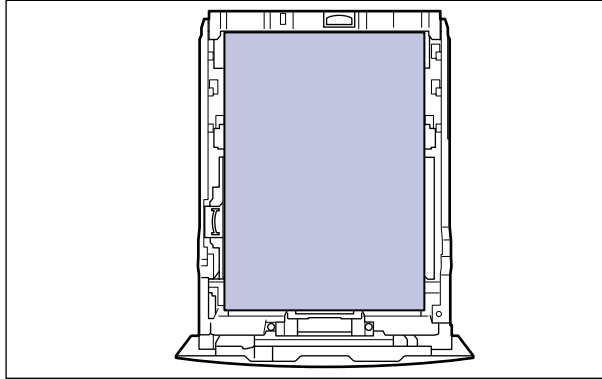
- 3** Load the paper stack so that the rear edge is aligned with the paper guide.



- ⚠ **CAUTION**
When loading paper, take care not to cut your hands with the edges of the paper.

 **IMPORTANT**

- Be sure to load paper in portrait orientation.



- Be sure to check if the paper guide is at the position of the size of the loaded paper. If the paper guide is set at a wrong position, this may result in misfeeds.
- If you use paper that has been poorly cut, multiple sheets of paper may be fed at once. In this case, fan the paper thoroughly, and then align the edges of the stack on a hard, flat surface.

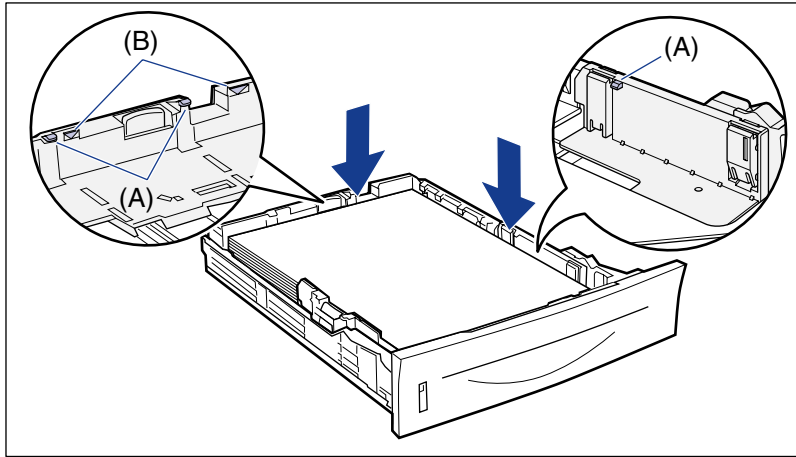
 **NOTE**

To print paper with letterheads or logos, see "Paper Loading Orientation" (p. 4-51) and load the paper in the proper orientation.

4 Hold down the paper as shown in the figure, then set it under the hooks (A) on the paper guides.

Check the following points.

- Whether the paper stack does not exceed the load limit marks (B)
- Whether there is sufficient space between the hooks of the paper guides and the paper stack



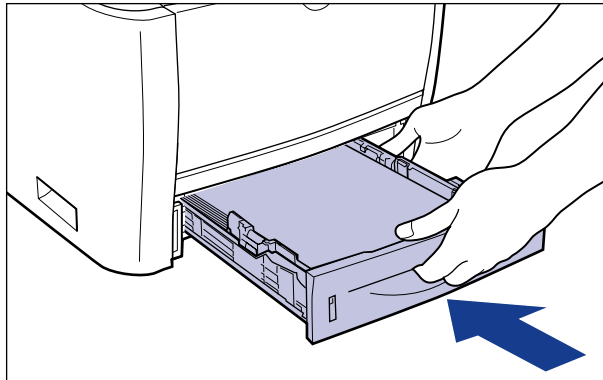
IMPORTANT

The following shows the paper capacity of the paper cassette. Be sure that the paper stack does not exceed the load limit marks. If the paper stack exceeds the load limit marks, this may result in misfeeds.

- Plain paper Approx. 250 sheets (Ex. 80 g/m²)
- Heavy paper Approx. 200 sheets (Ex. 91 g/m²)

5 Set the paper cassette in the printer.

Push the paper cassette into the printer firmly until the front side of the paper cassette is flush with the front surface of the printer.



! CAUTION

When setting the paper cassette, be careful not to catch your fingers.

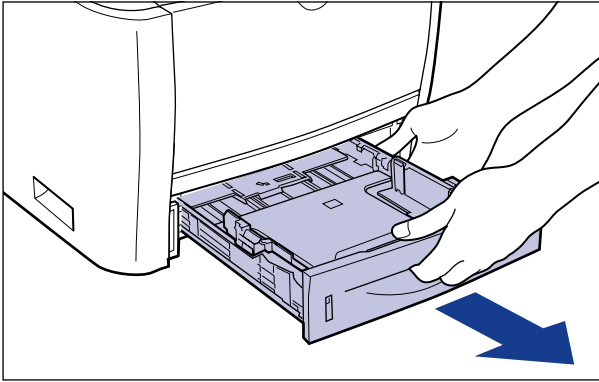
This printer's paper cassette cannot automatically detect the paper size. Therefore, you need to register the size of the paper loaded in the paper cassette. See "Specifying the Size of the Paper in the Paper Cassette" (p. 4-30) to register the paper size.

Loading Custom Size Paper

You can load paper of the following custom sizes.

- When loading paper in portrait orientation: Width 148.0 to 215.9 mm; Length 210.0 to 355.6 mm
- When loading paper in landscape orientation (Only when UFR II Printer Driver is used): Width 210.0 to 215.9 mm; Length 210.0 to 215.9 mm

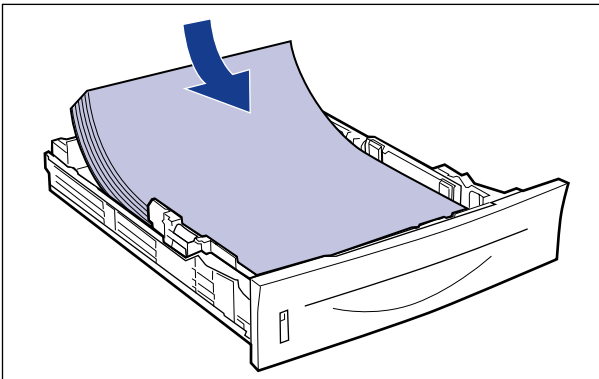
1 Pull out the paper cassette.



⚠ CAUTION

Be sure to take the paper cassette out of the printer before loading paper. If paper is loaded while the paper cassette is partially pulled out, the paper cassette may drop or the printer may become damaged resulting in personal injury.

2 Load the paper so that the edge of the paper is aligned with the front side of the paper cassette.



⚠ CAUTION

When loading paper, take care not to cut your hands with the edges of the paper.

IMPORTANT

- If you use paper that has been poorly cut, multiple sheets of paper may be fed at once. In this case, fan the paper thoroughly, and then align the edges of the stack on a hard, flat surface.
- When you are printing custom size paper from UFR II Printer Driver, you can load the paper either in portrait or landscape orientation. However, load the paper in landscape orientation when the setting for CASSETTE1 SIZE or CASSETTE2 SIZE is set to MIXED SIZES on printing custom size paper of its long edges 215.9 mm or less. When you are not printing from UFR II Printer Driver, load the paper in portrait orientation.

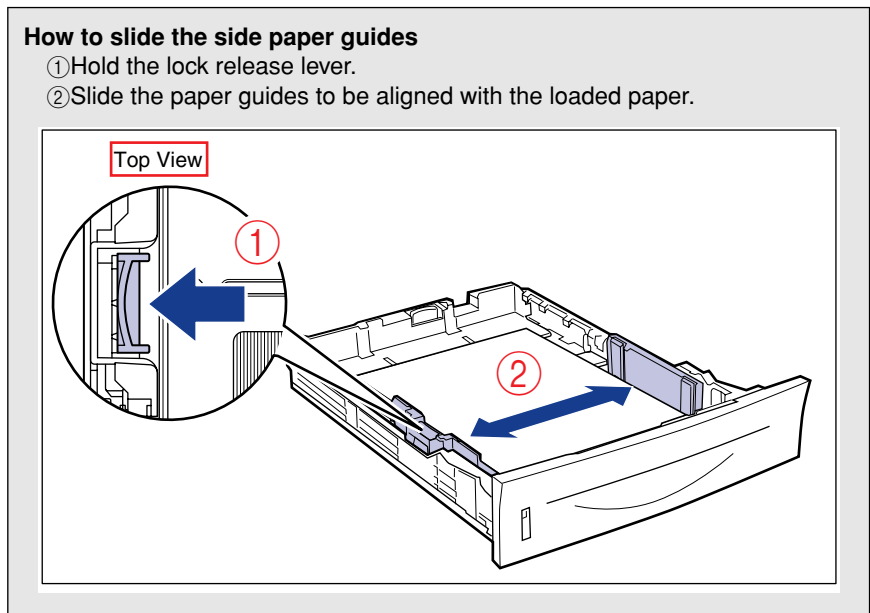
NOTE

To print paper with letterheads or logos, see "Paper Loading Orientation" (p. 4-51) and load the paper in the proper orientation.

3 Slide the paper guides.

- **Slide the side paper guides to be aligned with the loaded paper.**

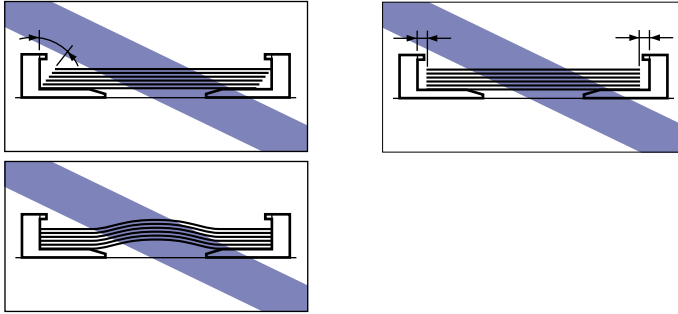
The side paper guides move together.





IMPORTANT

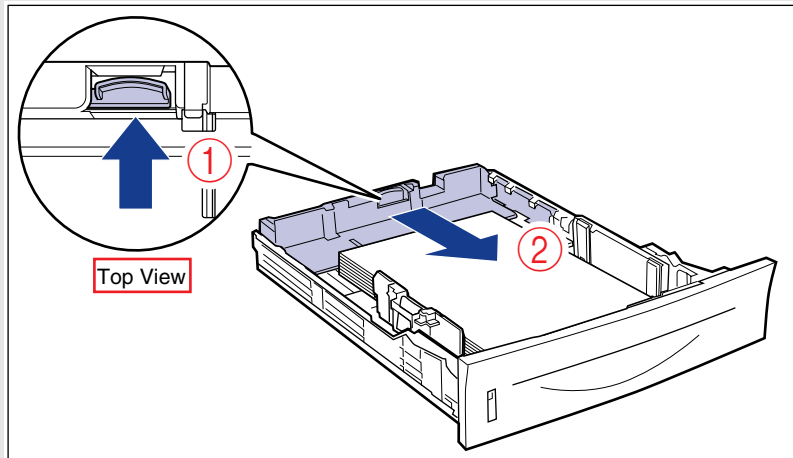
Be sure to align the paper guides with the width of the paper. If the paper guides are too loose or too tight, this may result in misfeeds or paper jams.



- Slide the rear paper guide to be aligned with the loaded paper.

How to slide the rear paper guide

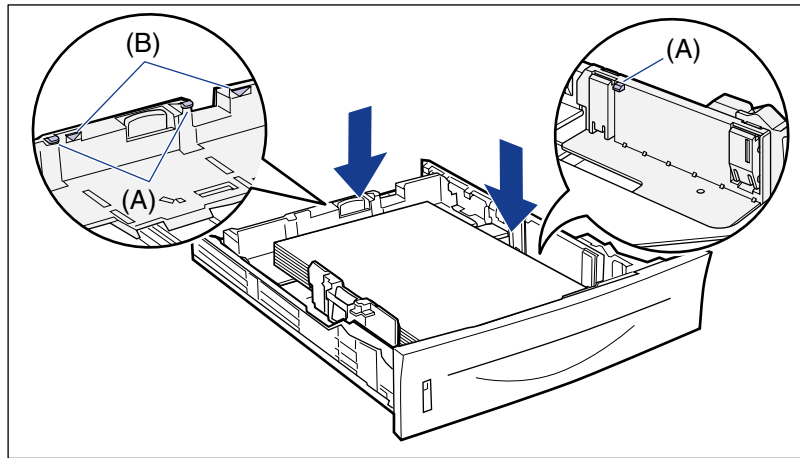
- ① Hold the lock release lever.
- ② Slide the paper guide to be aligned with the loaded paper.



4 Hold down the paper as shown in the figure, then set it under the hooks (A) on the paper guides.

Check the following points.

- Whether the paper stack does not exceed the load limit marks (B)
- Whether there is sufficient space between the hooks of the paper guides and the paper stack



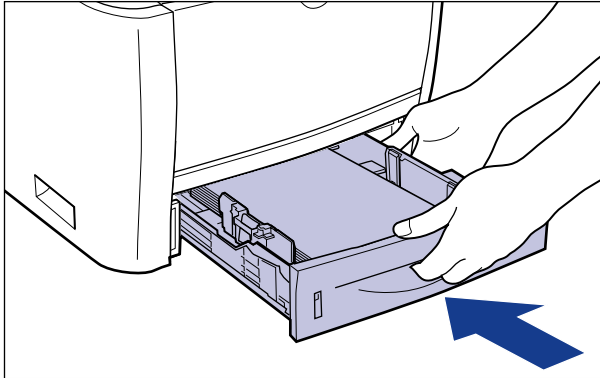
IMPORTANT

The following shows the paper capacity of the paper cassette. Be sure that the paper stack does not exceed the load limit marks. If the paper stack exceeds the load limit marks, this may result in misfeeds.

- Plain paper Approx. 250 sheets (Ex. 80 g/m²)
- Heavy paper Approx. 200 sheets (Ex. 91 g/m²)

5 Set the paper cassette in the printer.

Push the paper cassette into the printer firmly until the front side of the paper cassette is flush with the front surface of the printer.



CAUTION

When setting the paper cassette, be careful not to catch your fingers.

This printer's paper cassette cannot automatically detect the paper size. Therefore, you need to register the size of the paper loaded in the paper cassette. See "Specifying the Size of the Paper in the Paper Cassette" (p. 4-30) to register the paper size.

Specifying the Size of the Paper in the Paper Cassette

This printer's paper cassette cannot automatically detect the paper size. Therefore, when you loaded paper in the paper cassette, you need to specify the size of the paper loaded in the paper cassette using the control panel. When using standard size paper, specify its size. When loading custom size paper, specify CUSTOM SIZE or CUSTOM SIZE R. The paper size setting for the paper cassette is set to "A4" by default.

Specify the paper size setting for the paper cassette using the following procedure.

IMPORTANT

- Match the paper size specified in the SETUP menu of the printer and that specified in the printer driver. If they do not match, the message <PC LOAD "size"> appears. In this case, the setting values for CASSETTE1 SIZE and CASSETTE2 SIZE are changed to those in the printer driver by pressing the ●→ (Online) key, allowing you to continue printing.

- When custom size paper is loaded, specify the settings for CASSETTE1 SIZE and/or CASSETTE2 SIZE as follows.
 - When the paper is loaded in landscape orientation: CUSTOM SIZE
 - When the paper is loaded in portrait orientation: CUSTOM SIZE R
- When you change the paper loaded in the paper cassette frequently, it is convenient if you set CASSETTE1 SIZE and/or CASSETTE2 SIZE to MIXED SIZES. When CASSETTE1 SIZE and/or CASSETTE2 SIZE is set to MIXED SIZES, you do not need to specify the settings for CASSETTE1 SIZE and/or CASSETTE2 SIZE each time the different size paper is loaded. However, when specifying MIXED SIZES, make sure that the size of the loaded paper matches the paper size specified in the printer driver before printing. If they do not match, the printer may stop printing, displaying the message <41 CHK PAPER SIZE>, or a paper jam may occur. Be sure to check if the paper size specified in the printer driver matches the size of the paper loaded in the paper cassette before using the printer.
- When printing custom size paper from UFR II Printer Driver, you can load the paper either in portrait or landscape orientation. However, if you want to print custom size paper of its long edges 215.9 mm or less when CASSETTE1 SIZE and/or CASSETTE2 SIZE is set to MIXED SIZES, load the paper in landscape orientation. When you are not printing from UFR II Printer Driver, load the paper in portrait orientation.

 **NOTE**

The names of the following paper sizes are indicated by an abbreviation.
Legal: LGL, Letter: LTR, Executive: EXEC



1 Press the  (Settings) key.



2 Select FEEDER MENU using [◀] and [▶], then press [OK].



3 Select CASSETTE1 SIZE or CASSETTE2 SIZE using [◀] and [▶], then press [OK].





4 Select the paper size using [◀] and [▶], then press [OK].



"=" is displayed on the left of the paper size, and the paper size for the paper cassette is specified.

When printing from the printer driver on Windows or Macintosh, configure the printer driver. (See Driver Guide)

When printing from DOS or UNIX, specify the settings for STD PAPER SIZE (See p. 6-16) and STD PAPER TYPE (See p. 6-19) using the control panel.

Loading Paper in the Multi-purpose Tray

The multi-purpose tray can be loaded with up to approximately 50 sheets of plain paper (80 g/m²) at sizes of A4, B5, A5, Legal, Letter, Executive, Index Card, Statement, 16K, and paper of the following custom paper sizes.

- Custom Size Paper

When loading paper in portrait orientation: Width 76.2 to 215.9 mm; Length 127.0 to 355.6 mm

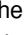
When loading paper in landscape orientation (Only when UFR II Printer Driver is used): Width 127.0 to 215.9 mm; Length 127.0 to 215.9 mm

Paper that cannot be loaded in the paper cassette such as transparencies and envelopes can be loaded in the multi-purpose tray.

When printing from the multi-purpose tray, you need to specify the following settings.



IMPORTANT

- Match the setting for TRAY PAPER SIZE in the SETUP menu of the printer and that in the printer driver. If they do not match, the message <PC LOAD "size"> appears. In this case, the setting value for TRAY PAPER SIZE is changed to that in the printer driver by pressing the  (Online) key, allowing you to continue printing.
- For more details on the usable paper, see "Usable Paper," on p. 4-2.
- For details on how to handle the multi-purpose tray, see "Precautions for Handling the Multi-purpose Tray or Paper Cassette," on p. 4-12.



NOTE

If you are printing from an operating system on which the printer driver cannot be used, previously specify the paper source to TRAY. (See p. 4-11)

■ Loading Paper (Other than Envelopes) (See p. 4-35)

■ Loading Envelopes (See p. 4-39)

■ Specifying the Size of the Paper in the Multi-purpose Tray (See p. 4-44)

If you changed the size of the paper in the multi-purpose tray, specify the following settings using the control panel. You do not need to specify the settings if you did not change the size of the paper.

The FEEDER MENU options in the SETUP menu

- TRAY PAPER SIZE = the size of the loaded paper

When printing from DOS, UNIX, or other operating system on which the printer driver cannot be used, specify the following settings in addition to TRAY PAPER SIZE.

The FEEDER MENU options in the SETUP menu

- STD PAPER SIZE = the size of the loaded paper (See p. 6-16)
- STD PAPER TYPE = the type of the loaded paper (See p. 6-19)

■ Specifying the Paper Settings in the Printer Driver (See Driver Guide)

When printing from the printer driver, specify the following settings. For more details on using the printer driver, see Help of the printer driver.

[Page Setup] Sheet

[Output Size] = the size of the loaded paper

[Paper Source] Sheet

[Paper Source] = [Multi-Purpose Tray]

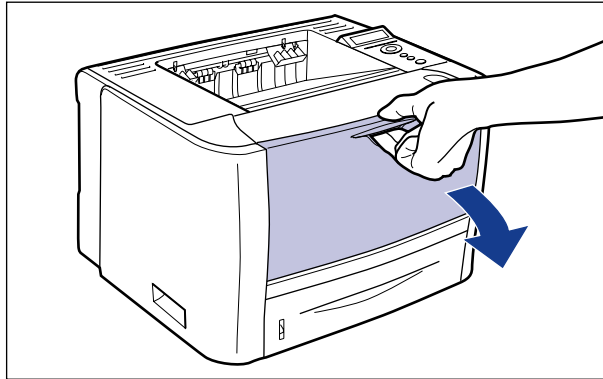
[Paper Type] = [Plain Paper]:	Plain Paper (60 - 89 g/m ²)
[Plain Paper L]:	Specify when paper curls excessively on printing with [Plain Paper] selected.
[Heavy Paper 1]:	Heavy Paper (90 - 120 g/m ²)
[Heavy Paper 2]:	Heavy Paper (121 - 163 g/m ²)
[Heavy Paper 3]:	Specify when you want to improve the toner fixation on printing with [Paper Type] set to [Heavy Paper 2].
[Transparency]:	Transparencies
[Label]:	Labels
[Envelope]:	Envelopes

Loading Paper (Other than Envelopes)

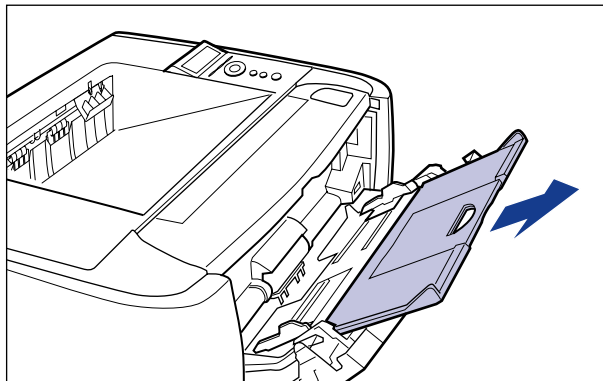
Perform the following procedure to load plain paper, heavy paper, transparencies, labels, or Index Card in the multi-purpose tray.

1 Open the multi-purpose tray.

Holding the opening at the center of the printer, open the multi-purpose tray.



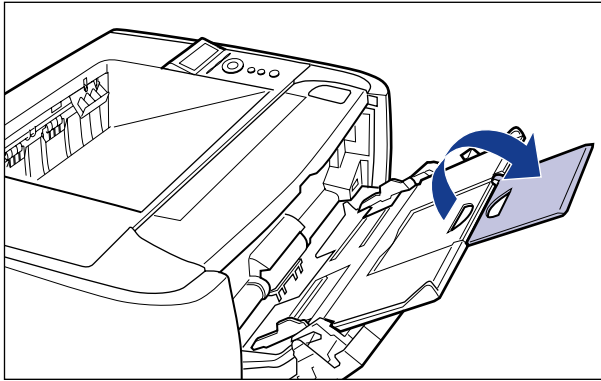
2 Pull out the auxiliary tray.



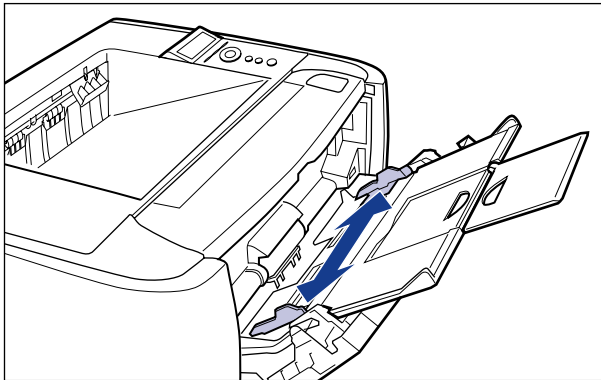
IMPORTANT

Be sure to pull out the auxiliary tray when loading paper in the multi-purpose tray.

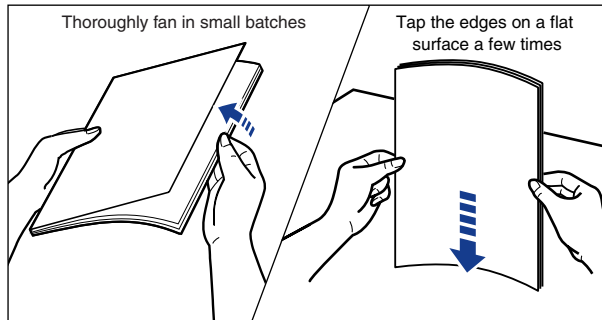
- 3** When loading long-size paper such as A4, open the tray extension.



- 4** Spread the paper guides a little wider than the actual paper width.



5 Before loading transparencies or labels, fan them in small batches and align the edges.



CAUTION

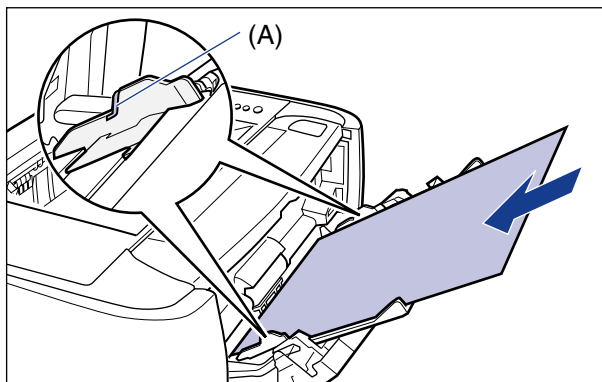
When loading paper, take care not to cut your hands with the edges of the paper.

IMPORTANT

- Be sure to fan the transparencies or labels thoroughly before loading them. If they are not fanned enough, multiple sheets of paper may be fed at once, causing paper jams.
- When fanning or aligning the transparencies, try to hold the edges to avoid touching the printing surface.
- Take care not to mark or stain the printing surface of the transparencies with fingerprints, dust, or oil. This may result in poor print quality.

6 Gently load the stack of paper with the printing side facing up until it touches the back of the tray.

Be sure that the paper stack is loaded under the load limit guides (A).



CAUTION

When loading paper, take care not to cut your hands with the edges of the paper.

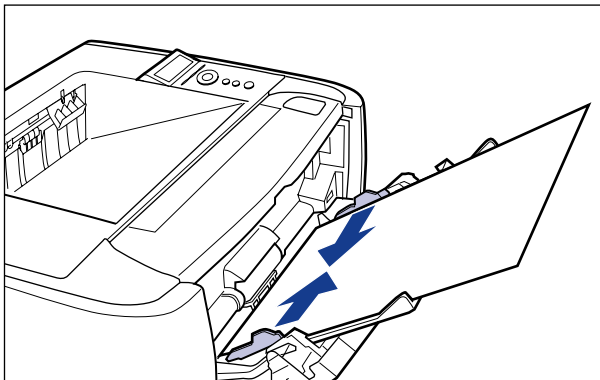
IMPORTANT

- The multi-purpose tray can be loaded with up to the number of sheets listed below. Make sure that the paper stack does not exceed the load limit guides.
 - Plain paper (Ex. 80 g/m²) : Approx. 50 sheets
 - Heavy paper (Ex. 91 g/m²) : Approx. 40 sheets
 - Heavy paper (Ex. 128 g/m²) : Approx. 25 sheets
 - Transparency : Approx. 40 sheets
 - Label : Approx. 20 sheets
 - Index Card : Approx. 15 sheets
- Load the paper so that it is straight.
- If the rear edge of the paper stack is not properly aligned, it may result in misfeeds or paper jams.
- If the paper is curled or folded at corners, flatten it before loading it in the printer.
- If you use paper that has been poorly cut, multiple sheets of paper may be fed at once. In this case, align the edges of the stack on a hard, flat surface.
- When printing custom size paper from UFR II Printer Driver, you can load the paper either in portrait or landscape orientation. However, if you want to print custom size paper of its long edges 215.9 mm or less when TRAY PAPER SIZE is set to MIXED SIZES, load the paper in landscape orientation. When you are not printing from UFR II Printer Driver, load the paper in portrait orientation.

NOTE

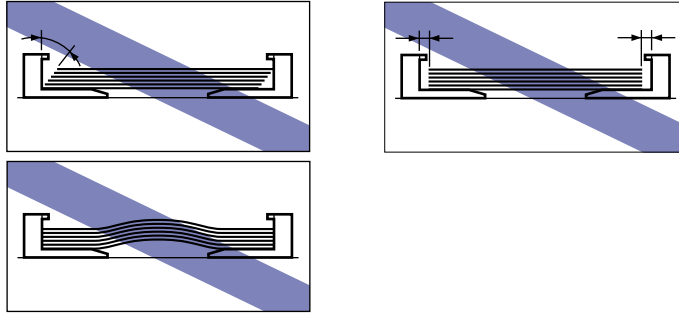
To print paper with letterheads or logos, see "Paper Loading Orientation" (p. 4-51) and load the paper in the proper orientation.

7 Align the paper guides with both sides of the stack.



 **IMPORTANT**

Be sure to align the paper guides with the width of the paper. If the paper guides are too loose or too tight, this may result in misfeeds or paper jams.



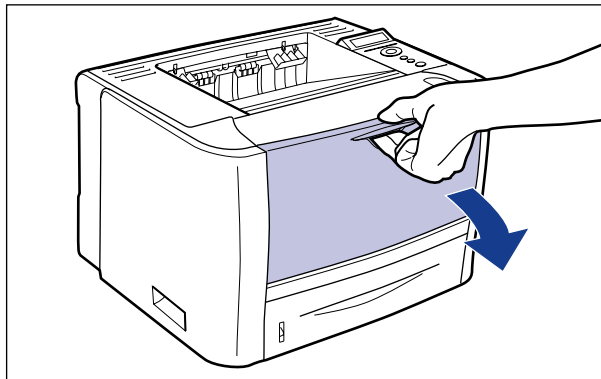
Next, specify the paper size for the multi-purpose tray (See p. 4-44).

Loading Envelopes

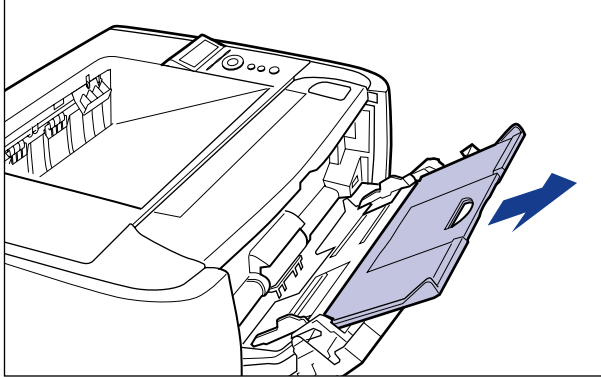
You can load envelopes at sizes of DL, COM10, C5, Monarch, and B5 in the multi-purpose tray. Use the following procedure when loading envelopes in the multi-purpose tray.

1 Open the multi-purpose tray.

Holding the opening at the center of the printer, open the multi-purpose tray.



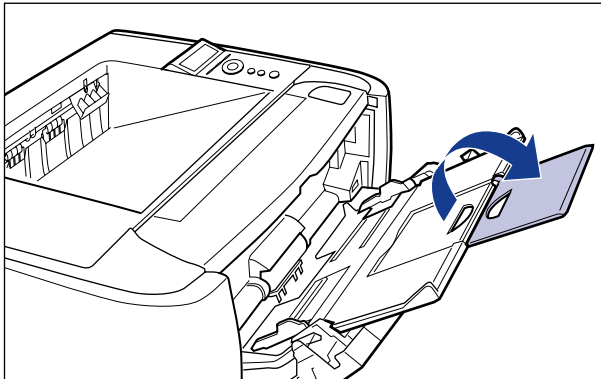
2 Pull out the auxiliary tray.



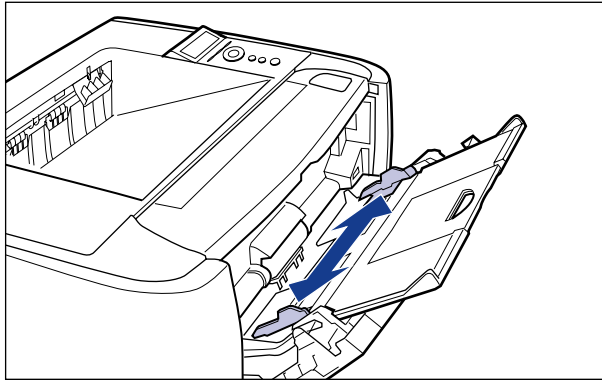
IMPORTANT

Be sure to pull out the auxiliary tray when loading paper in the multi-purpose tray.

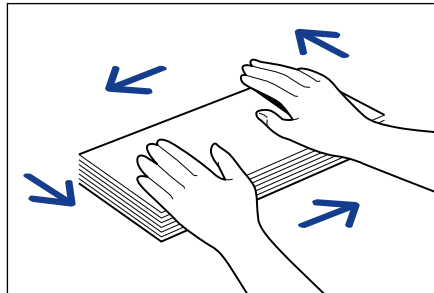
3 When loading long-size paper such as Envelope B5 etc, open the tray extension.



- 4** Spread the paper guides a little wider than the actual envelope width.



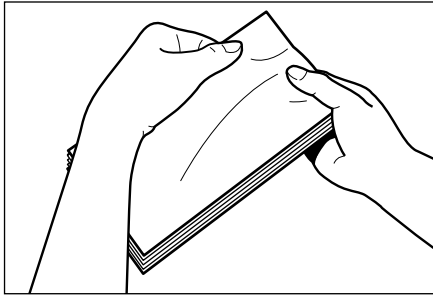
- 5** Place the stack of envelopes on a flat surface, flatten them to release any remaining air, and be sure that the edges are pressed tightly.



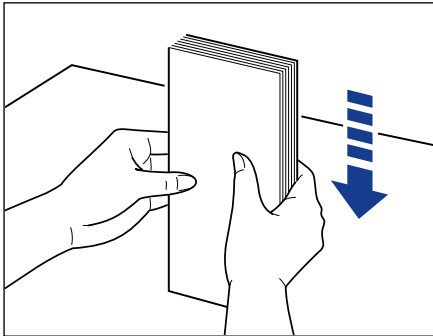
CAUTION

When loading paper, take care not to cut your hands with the edges of the paper.

- 6** Loosen any stiff corners of the envelopes and flatten curls as shown in the figure.

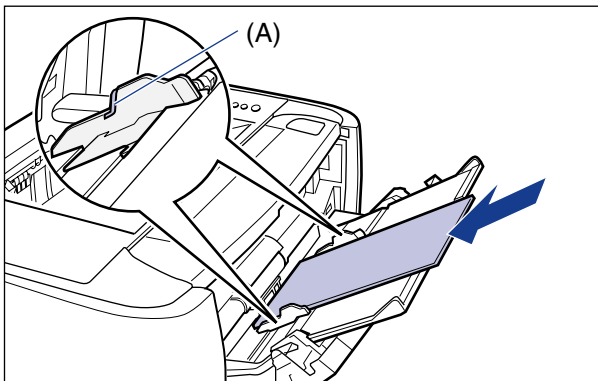


- 7** Align the edges of the envelopes on a flat surface.



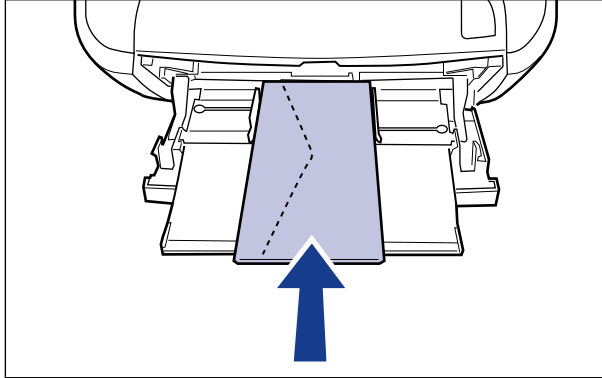
- 8** Gently load the stack of envelopes with the address side facing up until it touches the back of the tray.

Be sure that the stack of envelopes is loaded under the load limit guides (A).

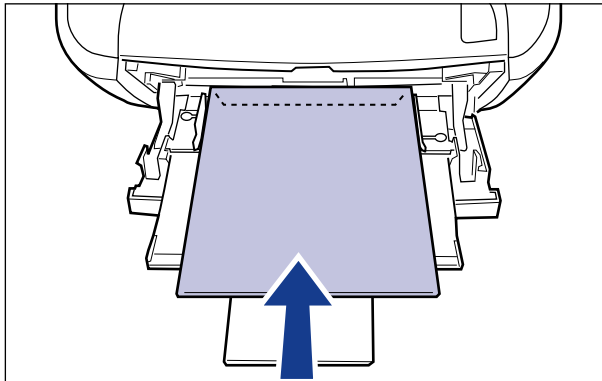


 **IMPORTANT**

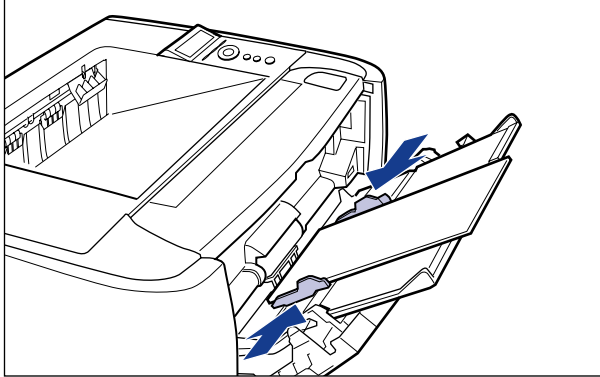
- Up to approximately 5 envelopes can be loaded in the multi-purpose tray. Make sure that the paper stack does not exceed the load limit guides.
- You cannot print on the reverse side (glued side) of envelopes.
- When loading envelopes at a size of DL, COM10, C5, or Monarch, load them so that the flap is toward the left of the printer when viewed from the front.



- When loading envelopes of the Envelope B5 size, close the flaps and load them so that the envelopes are fed from the top (the edge with the flap).

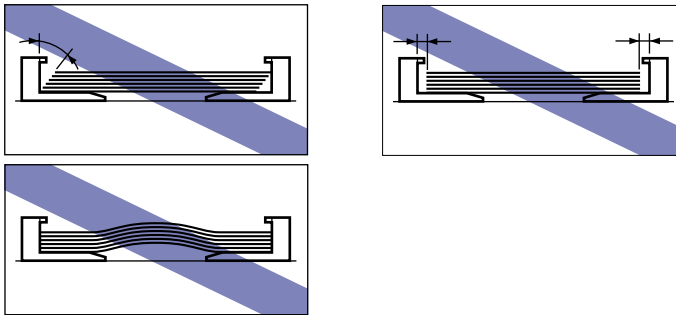


9 Align the paper guides with both sides of the stack.



IMPORTANT

Be sure to align the paper guides with the width of the envelopes. If the paper guides are too loose or too tight, this may result in misfeeds or paper jams.




Next, specify the paper size for the multi-purpose tray (See p. 4-44).

Specifying the Size of the Paper in the Multi-purpose Tray

When you loaded paper in the multi-purpose tray, specify the paper size for the multi-purpose tray using the control panel. When using paper or envelopes of standard size, specify its size. When loading custom size paper, specify CUSTOM SIZE or CUSTOM SIZE R. The paper size setting for the multi-purpose tray is set to "A4" by default.

Specify the paper size setting for the multi-purpose tray using the following procedure.

 **IMPORTANT**

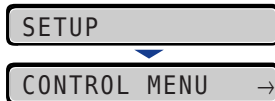
- Match the paper size specified in the SETUP menu of the printer and that specified in the printer driver. If they do not match, the message <PC LOAD "size"> appears. In this case, the setting value for TRAY PAPER SIZE is changed to that in the printer driver by pressing the  (Online) key, allowing you to continue printing.
- When custom size paper is loaded, specify the setting for TRAY PAPER SIZE as follows.
 - When the paper is loaded in landscape orientation: CUSTOM SIZE
 - When the paper is loaded in portrait orientation: CUSTOM SIZE R
- When you change the paper loaded in the multi-purpose tray frequently, it is convenient if TRAY PAPER SIZE is set to MIXED SIZES. If TRAY PAPER SIZE is set to MIXED SIZES, you do not need to specify the setting for TRAY PAPER SIZE each time you load different size paper. However, when specifying MIXED SIZES, make sure that the size of the paper loaded in the multi-purpose tray matches the paper size specified in the printer driver before printing. If they do not match, the printer may stop printing, displaying the message <41 CHK PAPER SIZE>, or a paper jam may occur. Be sure to check if the paper size specified in the printer driver matches the size of the paper loaded in the multi-purpose tray before using the printer.
- When printing custom size paper from UFR II Printer Driver, you can load the paper either in portrait or landscape orientation. However, if you want to print custom size paper of its long edges 215.9 mm or less when TRAY PAPER SIZE is set to MIXED SIZES, load the paper in landscape orientation. When you are not printing from UFR II Printer Driver, load the paper in portrait orientation.

 **NOTE**

The names of the following paper sizes are indicated by an abbreviation.
 Legal: LGL, Letter: LTR, Executive: EXEC, Statement: STMT



1 Press the  (Settings) key.



2 Select FEEDER MENU using [◀] and [▶], then press [OK].



3 Select TRAY PAPER SIZE using [◀] and [▶], then press [OK].



4 Select the paper size using [◀] and [▶], then press [OK].



"=" is displayed on the left of the paper size, and the paper size for the multi-purpose tray is specified.

When printing from the printer driver on Windows or Macintosh, configure the printer driver. (See Driver Guide)

When printing from DOS or UNIX, specify the settings for STD PAPER SIZE (See p. 6-16) and STD PAPER TYPE (See p. 6-19) using the control panel.

2-sided Printing

This printer is equipped with a function that can perform automatic 2-sided printing. Plain paper and heavy paper (90 to 120 g/m²) at sizes of A4, Legal, and Letter can be used for automatic 2-sided printing.

By using the multi-purpose tray, you can perform manual 2-sided printing (printing the other side of previously printed paper) on paper unavailable for automatic 2-sided printing.

IMPORTANT

- You cannot perform automatic 2-sided printing on heavy paper (121 to 163 g/m²), transparencies, labels, and envelopes.
- When automatic 2-sided printing is specified, and a job with odd number of pages is printed, the printing surface of the last page are as follows according to the setting for ALT.METHOD (See p. 6-23) or the paper source.
 - When printing from the paper cassette
 - If ALT.METHOD is set to ON, the printer prints on the underside of the loaded paper.
 - If ALT.METHOD is set to OFF, the printer prints on the upper side of the loaded paper.
 - When printing from the multi-purpose tray.
 - If ALT.METHOD is set to ON, the printer prints on the upper side of the loaded paper.
 - If ALT.METHOD is set to OFF, the printer prints on the underside of the loaded paper.
- Do not touch the paper during automatic 2-sided printing until it is completely output to the face-down output tray. In automatic 2-sided printing, the paper is partially output once after printed on its surface and is fed again to be printed on its reverse side.
- Be sure to close the output selection cover before performing automatic 2-sided printing.
- When performing automatic 2-sided printing, be sure to confirm that the paper size switch lever is set to the appropriate position. If the lever is not set to the appropriate position, this may result in misfeeds or paper jams. For details on the procedure for setting the paper size switch lever, see "Setting the Paper Size Switch Lever," on p. 4-49.

NOTE

On automatic 2-sided printing, the reverse side of the paper is printed first, therefore the paper should be loaded in the opposite orientation to that for 1-sided printing. If printing on such paper with letterheads, in which faces and directional orientations are specified, see "Paper Loading Orientation" (p. 4-51) and load the paper in the proper orientation.

Switching Between Automatic 2-sided Printing and 1-sided Printing

Perform automatic 2-sided printing using the following procedure.

■ When printing from Windows

When performing automatic 2-sided printing, set [Print Style] in the [Finishing] sheet in the printer driver to [2-sided Printing]. For more details on using the printer driver, see Help of the printer driver.

■ When printing from Macintosh

When performing automatic 2-sided printing, specify the settings for 2-sided printing in the printer driver. For more details on using the printer driver, see Help of the printer driver.

■ When printing from DOS or UNIX

When you are printing from DOS, UNIX, or other operating system on which you cannot use the printer driver, specify the settings using the control panel.

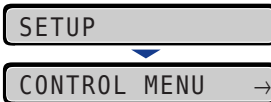
Switch between automatic 2-sided printing and 1-sided printing with the printer's control panel using the following procedure.

4

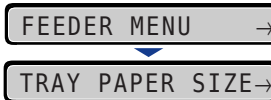
Paper Loading and Output Tray



1 Press the (Settings) key.



2 Select FEEDER MENU using [◀] and [▶], then press [OK].



3 Select 2-SIDED PRINT. using [◀] and [▶], then press [OK].





4 Select ON using [◀] and [▶], then press [OK].



"=" is displayed on the left of ON, and 2-sided printing is specified.

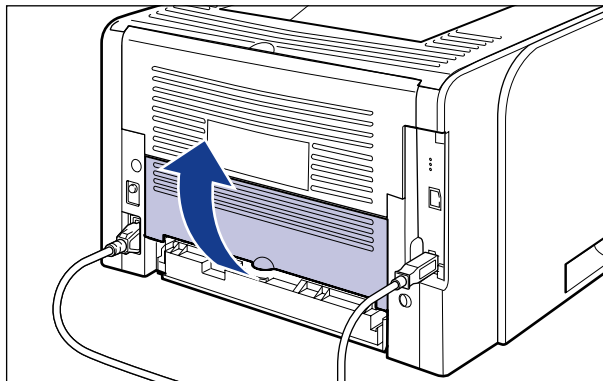
Setting the Paper Size Switch Lever

When performing automatic 2-sided printing, be sure to confirm the paper size switch lever is set to the appropriate position. When the paper size switch lever is not set to the appropriate position, this may result in paper jams.

Set the paper size switch lever using the following procedure.

1 Open the duplex unit cover.

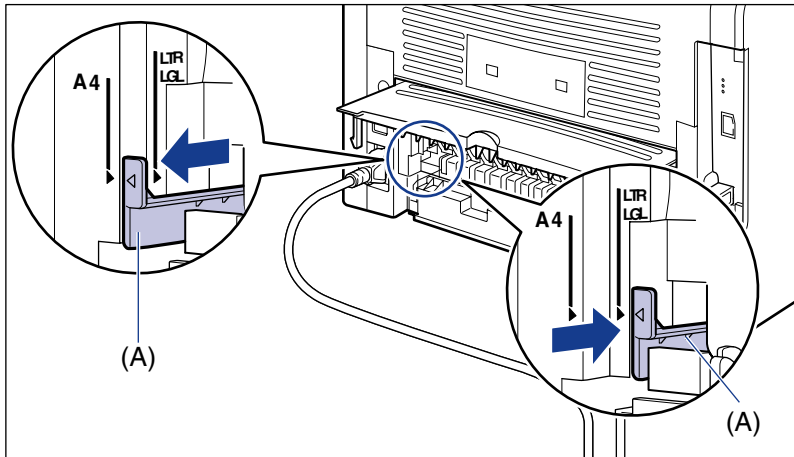
Holding the opening at the center of the duplex unit cover, open it gently.



2 Set the blue paper size switch lever (A) to the appropriate position according to the paper size for 2-sided printing.

For A4 size, draw the paper size switch lever toward you.

For Letter or Legal size, push the paper size switch lever into the printer.

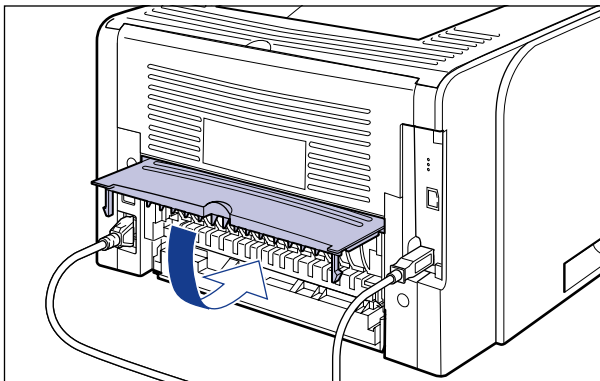


IMPORTANT

When performing automatic 2-sided printing, be sure to confirm that the paper size switch lever is set to the appropriate position. If the lever is not set to the appropriate position, this may result in misfeeds or paper jams.

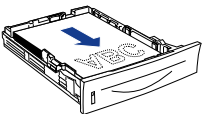
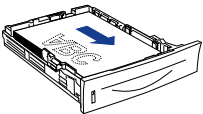
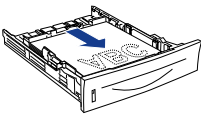
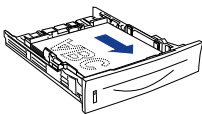
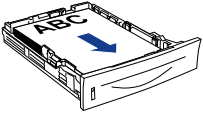
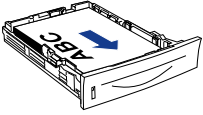
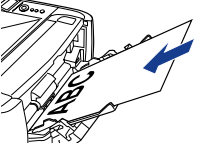
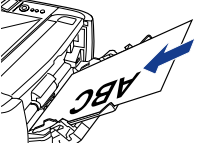
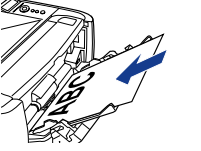
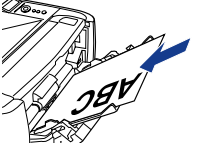
3 Close the duplex unit cover.

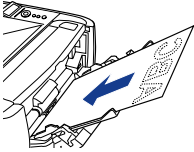
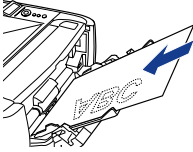
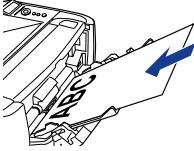
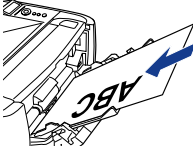
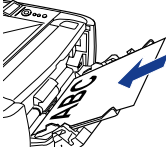
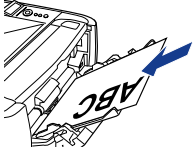
Holding the opening at the center of the duplex unit cover, close it gently.



Paper Loading Orientation

To print paper with letterheads or logos, load the paper in the proper orientation as follows. ← in the table indicates the feeding directions.

	Loading standard size paper, or loading custom size paper in portrait orientation		Loading custom size paper in landscape orientation	
	Portrait Layout	Landscape Layout	Portrait Layout	Landscape Layout
Paper Cassette (1-sided Printing)				
Paper Cassette (Automatic 2-sided Printing)			-	-
Multi-purpose Tray (1-sided Printing)				

	Loading standard size paper, or loading custom size paper in portrait orientation		Loading custom size paper in landscape orientation	
	Portrait Layout	Landscape Layout	Portrait Layout	Landscape Layout
Multi-purpose Tray (Automatic 2-sided Printing)				
Multi-purpose Tray (Manual 2-sided Printing)				

 **NOTE**

For details on loading orientation of envelopes, see "Loading Envelopes," on p. 4-39.

The Printing Environment

5

CHAPTER

This chapter describes the functions and categories of the menu displayed in the printer's control panel, how to use the operation keys, and how to view the display.

Menu Functions	5-2
Menu Functions	5-2
Setting Priority	5-3
Menu Categories	5-4
Printer Status to Enter the Menu Operation	5-4
How to Use the Operation Keys	5-5
How to View the Display	5-7
Menu Structure	5-7
How to View the Display	5-7
Menu Functions and Menu Operation	5-9
SETUP Menu	5-9
UTILITY Menu	5-11
JOB Menu	5-12
RESET Menu	5-13
CANCEL JOB Menu	5-14
SELECT FEEDER Menu	5-15
Initializing the SETUP Menu	5-17

Menu Functions

This section describes the menu functions and their categories.

Menu Functions

Before printing, specify the total print pages, paper size, etc. Generally, these settings are specified in an application or printer driver.

This printer, however, is supplied with many items as well as the settings for the total print pages and paper size, enabling printing for a wide array of uses. Some settings for this printer cannot be specified by application or printer driver. You can specify these settings using the "menu functions".

You can specify the settings using the menu functions easily because in the menu functions a variety of settings are classified by purpose.

There are the following two kinds of procedures for specifying the menu functions.

■ Settings Using the Printer's Control Panel

Specify the settings by pressing the keys while checking the display on the printer.

■ Settings Using the Remote UI

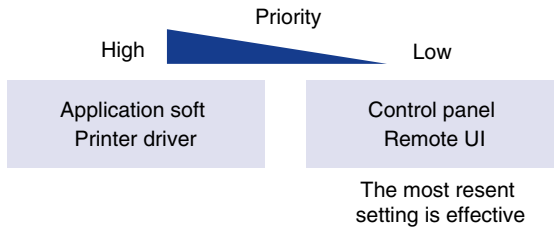
Some settings specified by the control panel can be specified by a web browser from your computer.

NOTE

- For this section, this manual describes only the procedures for specifying the menu functions using the control panel. For details on specifying the settings using the Remote UI, see "Remote UI Guide".
- The settings for the menu functions are registered to the memory (NVRAM) in which data is not deleted normally even if the printer is turned OFF. Therefore, even after cycling the power of the printer, it starts with its settings unchanged from when the printer was turned OFF last time.

Setting Priority

When the setting values for the same item are different between an application or the printer driver and the menu functions, the setting specified in the application or printer driver is effective. When specifying an item only in the menu functions using the control panel or the Remote UI, the most recently specified setting is effective.

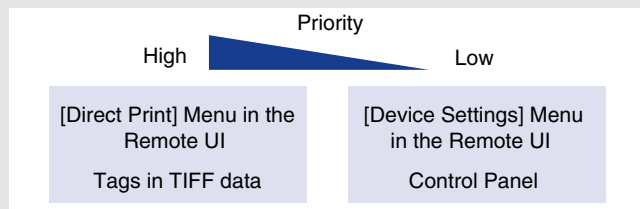


The printer driver and Remote UI are supplied with this printer. For details on using the printer driver or Remote UI, see "Driver Guide", Help of the printer driver, and "Remote UI Guide".

Depending on the items, they become effective after cycling the power of the printer or performing a hard reset.

● Setting Priority of Direct Print

When specifying a setting only in the menu functions using the control panel or the [Device Settings] menu in the Remote UI, the most recently specified setting is effective. The direct print function gives priority to the contents specified using the [Direct Print] menu in the Remote UI or tags in IFD (Image file directory) that the header of TIFF data of image file has over those specified using the control panel or the [Device Settings] menu in the Remote UI.



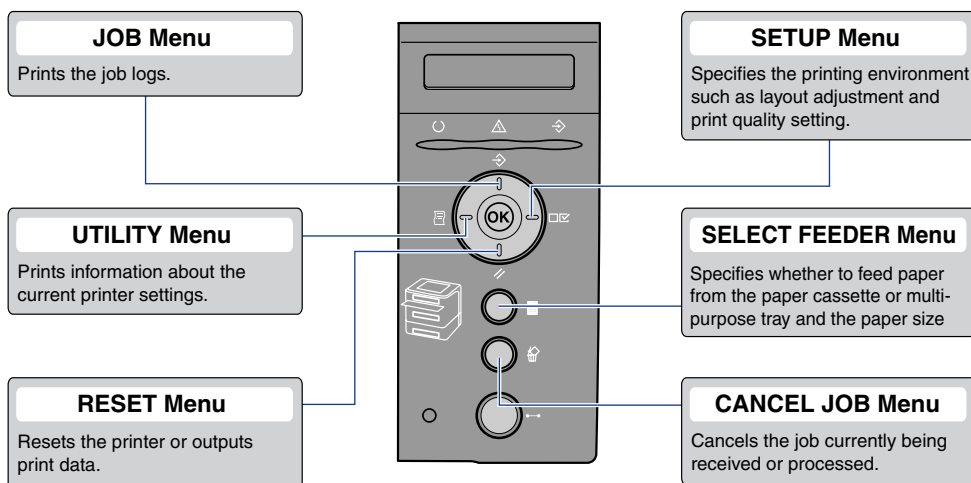
Some of the tag function that the header of TIFF data has may be disabled.

Menu Categories

There are the following six categories of the menu.

For the functions and operation procedures, see "Menu Functions and Menu Operation," on p. 5-9.

For details on each menu, see "Chapter 6 Printing Environment Settings".




Printer Status to Enter the Menu Operation


You can enter each menu when the printer is in the following status.

O: The status that you can enter the menu

-: The status that you cannot enter the menu

	When the printer is ready to print *1		When an error is occurring *2
	When the printer is online	When the printer is offline	
SETUP Menu	○*3	○	○
SELECT FEEDER Menu	○	○	○
RESET Menu	○	○	○*4
Job Menu	○	-	-
UTILITY Menu	○	-	-

*1 The printer is ready to print when the  (Ready) indicator is on.

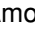
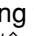
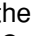

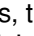
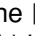
*2 An error is occurring in the printer when the  (Message) indicator is on.

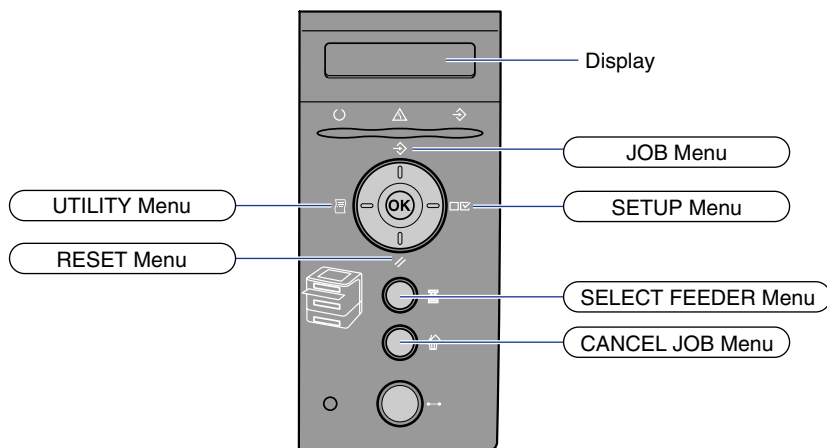
*3 You cannot specify the settings in the USER MAIN. options when the printer is in the online status.

*4 You cannot specify the settings for FORM FEED.




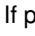
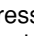
How to Use the Operation Keys






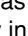



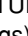

Use the following keys for the menu operation.

Among the keys, the  (Settings) key,  (Utility) key,  (Job) key,  (Reset) key,  (Cancel Job) key, and  (Feeder Selection) key have the function to display a menu.



■ The functions of each key are as follows.

Key	Functions		
 (Online)	Switches between online and offline. The printer is online when the indicator under the key is on and is offline when the indicator is off. Indicated as the  (Online) key in the manuals.		
 (Cancel Job)	When the printer is online	Immediately after placing the printer online	While the menu is displayed*
	If pressed when the  (Job) indicator is on or blinking (When data is being processed or received), cancels the job currently being processed. Indicated as the  (Cancel Job) key in the manuals.		Does not function.

Key	Functions		
	When the printer is online	Immediately after placing the printer online	While the menu is displayed*
 (Feeder Selection)	Displays the SELECT FEEDER menu. Indicated as the  (Feeder Selection) key in the manuals.		Does not function.
 (Utility)	Displays the UTILITY menu. Indicated as the  (Utility) key in the manuals.	Does not function.	Displays the next left item in the same hierarchy. When the setting value is numeric, reduces the value. If you keep holding down the key, the speed of the value decreasing is increased depending on the item. Indicated as [◀] in the manuals.
 (Job)	Displays the JOB menu. Indicated as the  (Job) key in the manuals.	Does not function.	Displays the item of the next upper hierarchy. Indicated as [▲] in the manuals.
 (Reset)	Displays the RESET menu. Indicated as the  (Reset) key in the manuals.		Executes the selected item. Otherwise, goes down the hierarchy. Indicated as [▼] in the manuals. Has the same function as [OK].
 (Settings)	Displays the SETUP menu. Indicated as the  (Settings) key in the manuals. However, the USER MAIN. options cannot be specified when the printer is online.		Displays the next right item in the same hierarchy. When the setting value is numeric, increases the value. If you keep holding down the key, the speed of the value increasing is increased depending on the item. Indicated as [▶] in the manuals.
 (OK)	Does not function.		Executes the selected item. Otherwise, goes down the hierarchy. Indicated as [OK] in the manuals. Has the same function as [▼].

* Depending on the settings, the printer may operate differently from the description. For more details, see the instructions for each setting.

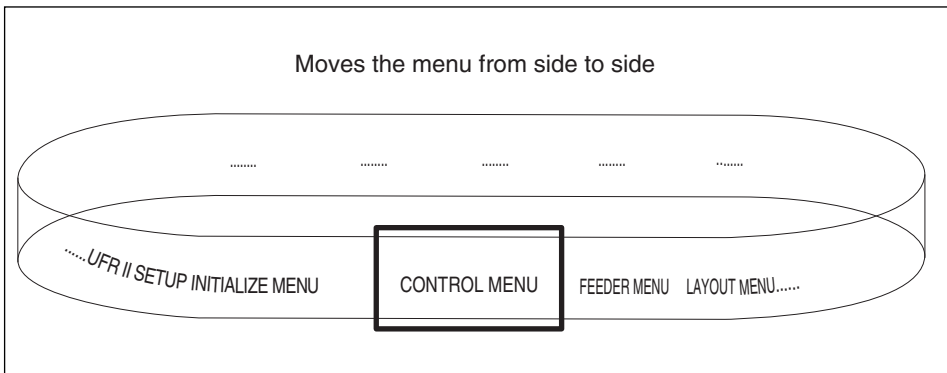
How to View the Display

This section describes the contents of the letters that appear in the display when specifying the menu functions.

Menu Structure

The menu structure looks like a chain (loop structure), and one of the menus on this chain is displayed in the display. Therefore, continuously pressing [◀] or [▶] displays the first menu again.

The menus consist of individual loop structures in each hierarchy.

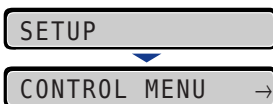


How to View the Display

Up to 16 characters appear in a line in the display.

After you display a menu by pressing a key, the item of the first hierarchy in the menu appears automatically.

If there is any selectable item in the same hierarchy, "→" appears on the right in the display.



If no action is taken after the lowest hierarchy in the menu is displayed, the item of the next upper hierarchy and that of the currently selected hierarchy are displayed alternately.



"=" is displayed on the left in the display for the currently selected setting value.

Menu Functions and Menu Operation

This section describes the overview of the menus and operating procedures for them.

SETUP Menu

This section describes the function of the SETUP menu and the operating procedure for it.

SETUP Menu Functions

The SETUP menu allows you to configure a variety of printing environment such as printing position, type of character set, and the selection of the interface for connecting the printer to the computer.

Normally, you can configure a printing environment using an application or the printer driver in a computer connected to the printer. However, some settings such as interface configuration can be specified only in the SETUP menu of the printer. Also, you can print using an application in which you cannot specify the print settings or MS-DOS command directly. When you are printing using them, specify the printing environment using the SETUP menu in the printer.



NOTE

For more details on the settings, see "SETUP Menu Settings," on p. 6-11.

Operating Procedure for the SETUP Menu

The SETUP menu consists of three hierarchies: "Option", "Item", and "Setting Value". Select the target options in each hierarchy.

As an example of the setting procedure, this section describes the procedure for setting TRAY PAPER SIZE in the FEEDER MENU options to B5. Start the key operation from Step 1.

Operation Procedure

1

Place the printer offline.

Key Operation

Press the  (Online) key.

When the printer is online, the SETUP menu can be displayed, however, the USER MAIN. options cannot be specified.

2 Display the SETUP menu.

SETUP

CONTROL MENU →

Press the  (Settings) key.

The SETUP menu is displayed.

3 Select the option.

When the FEEDER MENU options are selected

FEEDER MENU →

Press [◀] or [▶].

The target option is displayed.

4 Display the item.

TRAY PAPER SIZE →

Press [OK].

The selected item is displayed.

5 Select the item.

When TRAY PAPER SIZE is selected

TRAY PAPER SIZE →

Press [◀] or [▶].

The target item is displayed.

6 Display the setting value.

=A4 →

Press [OK].

The selected setting value is displayed.

7 Select the setting value.

When B5 is selected

B5 →

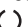

Press [◀] or [▶].

The target setting value is displayed.

8 Determine the selected setting value.

Press [OK].

9 Switch back to online state.Press the  (Online) key. **NOTE**

- The printer can switch back to online when it is ready to print. The printer is ready to print when the  (Ready) indicator is on.
- If you press [▲] during the setting, the display goes back up the hierarchy.
- If you press the  (Online) key during the setting, the setting is canceled.
- In some options, the items are divided into two different hierarchies.

UTILITY Menu

This section describes the function of the UTILITY menu and the operating procedure for it.

UTILITY Menu Functions

The UTILITY menu allows you to print the settings for the SETUP menu or perform cleaning.



NOTE

For more details on the settings, see "UTILITY Menu Settings," on p. 6-48.

Operating Procedure for the UTILITY Menu

The UTILITY menu consists of two hierarchies: "Common Utilities" and "Exclusive Utilities". Select the target options in each hierarchy. Exclusive Utilities are displayed only when PCL UTILITY is selected in the hierarchy of Common Utilities.

This section describes the procedure for printing FONTS LIST in PCL UTILITY as an example. Start the key operation from Step 1.

Operation Procedure

1 Make sure that the printer is online.

2 Display the UTILITY menu.

UTILITY MENU

CONFIG. PAGE →

3 Select the Common Utility.

When PCL UTILITY is selected

PCL UTILITY →

4 Display the Exclusive Utility

FONTS LIST →

Key Operation

If the printer is not online, press the ●● (Online) key.

Press the  (Utility) key.

The UTILITY menu is displayed.

Press [◀] or [▶].

The target Common Utility is displayed.

Press [OK].

The Exclusive Utility is displayed.

5 Select the Exclusive Utility.

When FONTS LIST is selected



Press [◀] or [▶].

The target Exclusive Utility is displayed.

6 Confirm the selected option.

Press [OK].

A fonts list is printed.

NOTE

- If you did not select the Exclusive Utility (PCL UTILITY), Step 4 to 5 are omitted.
- If you press [▲] during the setting, the display goes back up the hierarchy.
- If you press the ●→ (Online) key during the setting, the setting is canceled.

JOB Menu

This section describes the function of the JOB menu and the operating procedure for it.

JOB Menu Functions

The JOB menu allows you to print a variety of log lists.

NOTE

For more details on the settings, see "JOB Menu Settings," on p. 6-50.

Operating Procedure for the JOB Menu

This section describes the procedure for printing JOB LOG LIST. Start the key operation from Step 1.

Operation Procedure

1 Make sure that the printer is online.

2 Display the JOB menu.



Key Operation

If the printer is not online, press the ●→ (Online) key.

Press the ⇨ (Job) key.

The JOB menu is displayed.

3 Select the item that you want to print.

When JOB LOG LIST is selected



Press [◀] or [▶].

The target item is displayed.

4 Print JOB LOG LIST.

Press [OK].

JOB LOG LIST is printed.

NOTE

If you press the ●→ (Online) key during the setting, the setting is canceled.

RESET Menu

This section describes the function of the RESET menu and the operating procedure for it.

RESET Menu Functions

The RESET menu allows you to reset the printer (soft reset and hard reset) and output any print data remaining in the printer memory.

NOTE

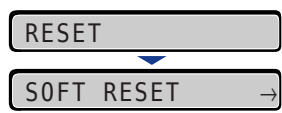
For more details on the settings, see "RESET Menu Settings," on p. 6-51.

Operating Procedure for the RESET Menu

This section describes the procedure for executing SOFT RESET as an example. Start the key operation from Step 1.

Operation Procedure

1 Display the RESET menu.



Key Operation

Press the // (Reset) key.

The RESET menu is displayed.

2 Select the item that you want to execute.

When SOFT RESET is selected



Press [◀] or [▶].

The target item is displayed.

3 Determine the selected item.

Press [OK].

A soft reset is performed.

 **NOTE**


HARD RESET is displayed after you keep holding down [OK] 3 seconds or more when SOFT RESET is displayed in the display.

CANCEL JOB Menu



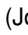
This section describes the function of the CANCEL JOB menu and the operating procedure for it.

CANCEL JOB Menu Functions

The CANCEL JOB menu allows you to cancel only the job currently being received or processed.

Pressing the  (Cancel Job) key and [OK] on the control panel while the job you want to cancel is being processed starts the cancel job process.


 **IMPORTANT**

- Cancel the job while the printer is processing the data (While the  (Job) indicator is on or blinking). No job is canceled by pressing the  (Cancel Job) key when the  (Job) indicator is off.
- The data that has already been processed and is being printed (started to be fed) cannot be canceled. In this case, the next print data may be canceled.
- When there is any print data sent from a printer driver other than that for this printer, multiple data may be canceled.

 **NOTE**

When canceling a job, you may not be able to cancel the job even if <03 CANCELING JOB> is displayed.

Operating Procedure for the CANCEL JOB Menu


Pressing the  (Cancel Job) key and [OK] on the control panel while the job you want to cancel is being processed displays <03 CANCELING JOB> starts the cancel job process. Start the key operation from Step 1.

Operation Procedure

1 Cancel the job while the job is being processed.

CANCEL?

Key Operation

Press the  (Cancel Job) key.

2 Execute the job cancel process.

03 CANCELING JOB


Press [OK].

Pressing [OK] starts the job cancel process. When not executing the cancel job process, press any key other than [OK]. After completing the job cancel, the printer is ready to print.

SELECT FEEDER Menu

This section describes the function of the SELECT FEEDER menu and the operating procedure for it.

SELECT FEEDER Menu Functions

The SELECT FEEDER menu allows you to select the paper source, paper size, etc. After a paper source is selected, the corresponding  (Paper Source) indicator comes on.

NOTE

For more details on the settings, see "SELECT FEEDER Menu Settings," on p. 6-53.

Operating Procedure for the SELECT FEEDER Menu

The SELECT FEEDER menu consists of two hierarchies: "Item" and "Setting Value". Select the target items in each hierarchy.

As an example of the setting procedure, this section describes the procedure for setting TRAY PAPER SIZE to B5. Start the key operation from Step 1.

Operation Procedure

1 Display the SELECT FEEDER menu.

PAPER SOURCE →

2 Select the item.


When TRAY PAPER SIZE is selected

TRAY PAPER SIZE →

3 Display the setting value.

=A4 →

Key Operation

Press the  (Feeder Selection) key.

The SELECT FEEDER menu is displayed.

Press [◀] or [▶].

The target item is displayed.

Press [OK].

The selected setting value is displayed.

4 Select the setting value.

When B5 is selected

Press [◀] or [▶].

The target setting value is displayed.

5 Determine the selected setting value.

Press [OK].

Initializing the SETUP Menu

Initialization of the SETUP menu resets the settings specified in the SETUP menu to the default settings.

Initialize the menu by selecting INITIALIZE MENU in the hierarchy of "Options" in the SETUP menu. Start the key operation from Step 1.

Operation Procedure

1 Display the SETUP menu.

SETUP

CONTROL MENU →

2 Select INITIALIZE MENU.

INITIALIZE MENU →

3 Initialize the SETUP menu.

OK?

4 Confirm the message, then initialize the SETUP menu.

Key Operation

Press the (Settings) key.

The SETUP menu is displayed.

Press [<] or [>].

Press [OK].

A confirmation message is displayed.

Press [OK].

<INITIALIZING> is displayed during the initialization. DONE is displayed after the initialization is completed.



IMPORTANT

- If the message <INITIALIZE FAIL> appears when the initialization of the SETUP menu is executed, the SETUP menu is not initialized.
- Do not turn the printer OFF during the initialization. The printer memory may be damaged.
- Some settings do not become effective unless you cycle the power of the printer or perform a hard reset after initializing the SETUP menu.

 NOTE

- If you press the ●—● (Online) key during the setting, the setting is canceled. However, you cannot cancel the setting when <INITIALIZING> is displayed even if you press the ●—● (Online) key.
- ADJ.START POS. in the USER MAIN. options and NETWORK MENU in the INTERFACE MENU options in the SETUP menu cannot be initialized.

Printing Environment Settings

6

CHAPTER

This chapter describes the options that you can specify on the printer's control panel.

Setting Items	6-2
SETUP Menu	6-2
UTILITY Menu	6-9
JOB Menu	6-9
RESET Menu	6-9
SELECT FEEDER Menu	6-10
SETUP Menu Settings	6-11
CONTROL MENU Options	6-11
FEEDER MENU Options	6-14
LAYOUT MENU Options	6-20
QUALITY MENU Options	6-24
INTERFACE MENU Options	6-27
PRINT MODE Options	6-36
USER MAIN. Options	6-37
PCL SETUP Options	6-40
UFR II SETUP Options	6-45
IMAGING SETUP Options	6-45
UTILITY Menu Settings	6-48
JOB Menu Settings	6-50
RESET Menu Settings	6-51
SELECT FEEDER Menu Settings	6-53

Setting Items

SETUP Menu

■ CONTROL MENU Options

Item	Setting Value	Applicable Page
POWER SAVE MODE	PANEL OFF*, DEEP SLEEP, OFF	p. 6-11
PWR SAVE IN ERR	ON*, OFF	p. 6-12
POWER SAVE TIME	15 minutes*, 30 minutes, 60 minutes, 180 minutes, 5 minutes	p. 6-12
AUTO ERROR SKIP	OFF*, ON	p. 6-12
PANEL LANGUAGE	ENGLISH*, FRENCH, GERMAN, ITALIAN, SPANISH	p. 6-13
SHOW WARNINGS	CASSETTE EMPTY: ON*, OFF	p. 6-13
PDL SELECT(PnP)	UFR II*, PCL5E, PCL6	p. 6-13

An asterisk (*) indicates the default setting.

■ FEEDER MENU Options

Item	Setting Value	Applicable Page
TRAY PAPER SIZE	A4*, LTR, LGL, EXEC, MIXED SIZES, CUSTOM SIZE, CUSTOM SIZE R, ENV. ISO-C5, ENV. COM10, ENV. MONARCH, ENV. DL, ENV. ISO-B5, INDEX CARD, STMT, 16K, A5, B5	p. 6-14
CASSETTE1 SIZE	A4*, LTR, LGL, EXEC, MIXED SIZES, CUSTOM SIZE, CUSTOM SIZE R, A5, B5	p. 6-15
CASSETTE2 SIZE* ¹	A4*, LTR, LGL, EXEC, MIXED SIZES, CUSTOM SIZE, CUSTOM SIZE R, A5, B5	p. 6-16
STD PAPER SIZE	A4*, LTR, LGL, EXEC, ENV. ISO-C5, ENV. COM10, ENV. MONARCH, ENV. DL, ENV. ISO-B5, INDEX CARD, STMT, 16K, A5, B5	p. 6-16

TRAY PRIORITY	OFF*, ON	p. 6-17
INVLDPAPER TRAY	OFF*, ON	p. 6-18
AUTO SELECTION	TRAY: ON*, OFF CASSETTE 1: ON*, OFF CASSETTE 2*1: ON*, OFF	p. 6-18
STD PAPER TYPE	PLAIN PAPER*, PLAIN PAPER L, HEAVY PAPER 1, HEAVY PAPER 2, HEAVY PAPER 3, TRANSPARENCIES, ENVELOPE, LABEL	p. 6-19
2-SIDED PRINT.	OFF*, ON	p. 6-19

An asterisk (*) indicates the default setting.

*1 May not be displayed depending on the availability of the optional accessories and other settings.

■ LAYOUT MENU Options

Item	Setting Value	Applicable Page
COPIES	1 to 9999; 1*	p. 6-20
OFFSET Y	-50.0 to 50.0; 0.0* (mm)	p. 6-20
OFFSET X	-50.0 to 50.0; 0.0* (mm)	p. 6-20
BIND.LOCATION	LONG EDGE*, SHORT EDGE	p. 6-21
GUTTER	-50.0 to 50.0; 0.0* (mm)	p. 6-22
ALT.METHOD	ON*, OFF	p. 6-23

An asterisk (*) indicates the default setting.

■ QUALITY MENU Options

Item	Setting Value	Applicable Page
IMGE REFINEMENT	ON*, OFF	p. 6-24
GRADATION LEVEL	STANDARD*, HIGH	p. 6-24
TONER SAVE	OFF*, ON	p. 6-25
DENSITY	1 to 16; 4*	p. 6-25

HALFTONES	TEXT: RESOLUTION*, GRADATION, COLOR TONE, HIGH RESOL. GRAPHICS: COLOR TONE*, HIGH RESOL., RESOLUTION, GRADATION IMAGE: COLOR TONE*, HIGH RESOL., RESOLUTION, GRADATION	p. 6-26
QUALITY CHANGE	CONT.PRINTING*, STOP PRINTING	p. 6-26

An asterisk (*) indicates the default setting.

■ INTERFACE MENU Options

Item	Setting Value	Applicable Page
I/F CONNECTION	USB: ON*, OFF NETWORK: ON*, OFF	p. 6-27
MODE TIMEOUT	OFF, 5 to 300 seconds; 15 seconds*	p. 6-27

NETWORK MENU*1

<p>TCP/IP SETTINGS</p>	<p>IP V. 4 SETTING: IP MODE.....MANUAL*, AUTO PROTOCOL*1: DHCPOFF*, ON BOOTPOFF*, ON RARPOFF*, ON IP SETTINGS: IP ADDRESS..... 0.0.0.0* SUBNET MASK..... 0.0.0.0* GATEWAY ADDRESS..... 0.0.0.0* IP ADD.RANGE: REJECT RX/PRTOFF*, ON REJECT ADD.SET.*1 REJ IP 1 to 8 PERMIT RX/PRTOFF*, ON PERMIT ADD.SET.*1PER IP 1 to 8 REJ SET/BROWSE.....OFF*, ON REJECT ADD.SET.*1 REJ IP 1 to 8 PMT SET/BROWSE.....OFF*, ON PERMIT ADD.SET.*1PER IP 1 to 8 DNS: PRIMARY ADD..... 0.0.0.0* SECONDARY ADD..... 0.0.0.0* IP V. 6 SETTING: IP V. 6OFF*, ON WINS: OFF*, ON ARP/PING: ON*, OFF FTP: FTP PRINTON*, OFF FTP SETTINGSON*, OFF LPD PRINT: ON*, OFF RAW PRINT: ON*, OFF IPP PRINT: ON*, OFF WSD: WSD PRINTON*, OFF WSD BROWSING*1ON*, OFF MULTICAST DISC.ON*, OFF HTTP: ON*, OFF RESPONSE: ON*, OFF MAC ADDRESS SET: PERMIT RECEIVEOFF*, ON PERMIT ADD.SET.*1PER.MAC ADD.1 to 50</p>	<p>p. 6-29</p>
------------------------	--	----------------

APPLETALK	OFF*, ON	p. 6-33
SMB	SMB SERVER: OFF*, ON	p. 6-33
SNMP V. 1	ON*, OFF	p. 6-34
SNMP V. 3 SET.	SNMP V. 3: OFF*, ON USER SETTING 1 to 5* ¹ : AUTH .PASSWORD ENCRYPT.PASSWRD	p. 6-34
START WAIT TIME	0 to 300 seconds; 0 seconds*	p. 6-35
REMOTE UI SET.	REMOTE UI: ON*, OFF	p. 6-35
ETHERNET DRIVER	AUTO DETECT: ON*, OFF COMM.MODE* ¹ : HALF DUPLEX*, FULL DUPLEX ETHERNET TYPE* ¹ : 10 BASE-T*, 100 BASE-TX MAC ADDRESS: (Display only)	p. 6-35
INIT.N/W SET.	-	p. 6-36
CONNECT.RECOG.	ON*, OFF	p. 6-36

An asterisk (*) indicates the default setting.

*1 May not be displayed depending on the settings for other items.

■ PRINT MODE Options

Item	Setting Value	Applicable Page
MODE SELECTION	PCL*, IMAGING	p. 6-36

An asterisk (*) indicates the default setting.

■ USER MAIN. Options

Item	Setting Value	Applicable Page
ADJ.START POS.	OFFSET Y(TRAY): -5.0 to 5.0; 0.0* (mm) OFFSET X(TRAY): -5.0 to 5.0; 0.0* (mm) OFFSET Y(CASS1): -5.0 to 5.0; 0.0* (mm) OFFSET X(CASS1): -5.0 to 5.0; 0.0* (mm) OFFSET Y(CASS2)*1: -5.0 to 5.0; 0.0* (mm) OFFSET X(CASS2)*1: -5.0 to 5.0; 0.0* (mm) OFFSET Y(DUP): -5.0 to 5.0; 0.0* (mm) OFFSET X(DUP): -5.0 to 5.0; 0.0* (mm)	p. 6-37
RECVRY PRINTING	ON*, OFF	p. 6-38
CHK PAPER SIZE	OFF*, ON	p. 6-38
SUBSTITUTE SIZE	OFF*, ON	p. 6-39
SP.PRINT ADJ A	MODE 1*, MODE 2, MODE 3, MODE 4	p. 6-39
UPDATE FIRMWARE		
USB	-	p. 6-39
NETWORK	-	p. 6-40

An asterisk (*) indicates the default setting.

*1 May not be displayed depending on the availability of the optional accessories and other settings.

■ PCL SETUP Options

Item	Setting Value	Applicable Page
PAPER SAVE	OFF*, ON	p. 6-40
ORIENTATION	PORTRAIT*, LANDSCAPE	p. 6-40
FONT NUMBER	0 to 54; 0*	p. 6-41
POINT SIZE*1	4.00 to 999.75 point; 12.00 point*	p. 6-41
PITCH*1	0.44 to 99.99 cpi; 10.00 cpi*	p. 6-41
FORM LINES	5 to 128 lines; 64 lines*	p. 6-41
SYMBOL SET	PC8*, ROMAN8, ROMAN9, ISOL1, ISOL2, ISOL5, ISOL6, ISOL9, PC775, PC8DN, PC850, PC852, PC858, PC8TK, PC1004, WINL1, WINL2, WINL5, WINBALT, DESKTOP, PSTEXT, LEGAL, ISO4, ISO6, ISO11, ISO15, ISO17, ISO21, ISO60, ISO69, WIN 30, MCTEXT	p. 6-42

CUSTOM SIZE	DO NOT SET*, SET	p. 6-42
UNIT OF MEASURE*¹	Millimeters*, Inches	p. 6-42
X DIMENSION*¹	76.2 to 215.9 mm; 215.9 mm* (3.00 to 8.50 inches; 8.50 inches*)	p. 6-42
Y DIMENSION*¹	127.0 to 355.6 mm; 355.6 mm* (5.00 to 14.00 inches; 14.00 inches*)	p. 6-43
APPEND CR TO LF	NO*, YES	p. 6-43
ENLRG A4 WIDTH	OFF*, ON	p. 6-44

An asterisk (*) indicates the default setting.

*1 May not be displayed depending on the availability of the optional accessories and other settings.

■ UFR II SETUP Options

Item	Setting Value	Applicable Page
PAPER SAVE	ON*, OFF	p. 6-45

An asterisk (*) indicates the default setting.

■ IMAGING SETUP Options

Item	Setting Value	Applicable Page
ORIENTATION	AUTO*, VERTICAL, HORIZONTAL	p. 6-45
ZOOM	OFF*, AUTO	p. 6-45
PRINT POSITION	AUTO*, CENTER, TOP LEFT	p. 6-46
SHOW WARNINGS	PRINT*, PANEL, OFF	p. 6-46
ENLRG PRT AREA	OFF*, ON	p. 6-47

An asterisk (*) indicates the default setting.

UTILITY Menu

Item	Setting Value	Applicable Page
CONFIG.PAGE	-	p. 6-48
PCL UTILITY	FONTS LIST	p. 6-48
CLEANING	A4, LTR	p. 6-48
NW STATUS PRINT	-	p. 6-49
PRNTPOSNPRINT	-	p. 6-49
DEVICE LOG LIST	-	p. 6-49

JOB Menu

Item	Setting Value	Applicable Page
JOB LOG LIST* ¹	-	p. 6-50
REPORTLOG LST* ¹	-	p. 6-50

*1 Displayed only when the job log display is enabled in the [Job Log Display] page in the Remote UI.

RESET Menu

Item	Setting Value	Applicable Page
SOFT RESET/HARD RESET	-	p. 6-51
FORM FEED	-	p. 6-51
SHUT DOWN	-	p. 6-52

SELECT FEEDER Menu

Item	Setting Value	Applicable Page
PAPER SOURCE	AUTO*, CASSETTE 1, CASSETTE 2* ¹ , TRAY	p. 6-53
TRAY PAPER SIZE	A4*, LTR, LGL, EXEC, MIXED SIZES, CUSTOM SIZE, CUSTOM SIZE R, ENV. ISO-C5, ENV. COM10, ENV. MONARCH, ENV. DL, ENV. ISO-B5, INDEX CARD, STMT, 16K, A5, B5	p. 6-54
CASSETTE1 SIZE	A4*, LTR, LGL, EXEC, MIXED SIZES, CUSTOM SIZE, CUSTOM SIZE R, A5, B5	p. 6-54
CASSETTE2 SIZE*¹	A4*, LTR, LGL, EXEC, MIXED SIZES, CUSTOM SIZE, CUSTOM SIZE R, A5, B5	p. 6-54
2-SIDED PRINT.	OFF*, ON	p. 6-54

An asterisk (*) indicates the default setting.

*1 May not be displayed depending on the availability of the optional accessories and other settings.

SETUP Menu Settings

CONTROL MENU Options

POWER SAVE MODE

PANEL OFF*, DEEP SLEEP, OFF

Specifies whether the printer should use Power Save Mode.

There are two types of Power Save Mode, and the type of the mode the printer enters depends on the setting for this item.

Setting Value	Power Save Mode the Printer Can Enter
PANEL OFF	Power Save Mode 1 (the Panel Off mode) *
DEEP SLEEP	Power Save Mode 1 (the Panel Off mode) Power Save Mode 2 (the Deep Sleep mode)
OFF	The printer does not enter Power Save Mode. *

* Even if PANEL OFF or OFF is specified for this item, the printer enters Power Save Mode 2 (the Deep Sleep mode) when [Deep Sleep] is executed in the Remote UI ([Device Manager] → [Status] → [Device Control] → [Deep Sleep]).

Power Save Mode consumes less power during the sleep state. While the printer is in Power Save Mode, the display on the control panel is off, and the following indicators are on.


Power Save Mode Type	Indicator that Comes On
Power Save Mode 1 (the Panel Off mode)	When the printer is online: ○ (Ready) indicator, Power indicator When the printer is offline: △ (Message) indicator, Power indicator
Power Save Mode 2 (the Deep Sleep mode)	Power Indicator

NOTE

- For details on Power Save Mode, see "Power Saving (Power Save Mode)," on p. 3-2.
- You can specify whether the printer should enter Power Save Mode when an error is occurring in the printer (when the △ (Message) indicator is on, or the number in the message blinks). (See PWR SAVE IN ERR: the next item)

PWR SAVE IN ERR

ON*, OFF

Specifies whether the printer should enter Power Save Mode when an error is occurring in the printer (when the  (Message) indicator is on, or the number in the message blinks).

If this item is set to ON, the printer enters Power Save Mode even when an error is occurring in the printer.

If this item is set to OFF, the printer does not enter Power Save Mode when an error is occurring in the printer.

POWER SAVE TIME


15 minutes*, 30 minutes, 60 minutes, 180 minutes, 5 minutes

Specifies the time interval until the printer enters Power Save Mode 1 (the Panel Off mode).



NOTE


If the printer is in any of the following status, the printer does not enter Power Save Mode (the Panel Off mode) even when the specified time has elapsed.


- An error is occurring in the printer (when the  (Message) indicator is on, or the number in the message blinks), and PWR SAVE IN ERR is set to OFF.
- During the printer's startup

AUTO ERROR SKIP

OFF*, ON

Specifies whether the printer should automatically use the function that, when an error has occurred, releases the printer from the error temporarily (Error Skip) and continues the job.

If OFF is specified, you need to skip the error by pressing the  (Online) key.

If ON is specified, the printer skips the error automatically without you pressing the  (Online) key.



NOTE

- The Error Skip function is only for skipping an error temporarily. Therefore, the data may not be printed properly.
- For the types of error from which the printer can be released temporarily, see "Message List," on p. 8-26.
- If ON is specified for this item, the printer automatically skips all the errors it can skip automatically even when multiple errors are occurring.

PANEL LANGUAGE

ENGLISH*, FRENCH, GERMAN, ITALIAN, SPANISH


Confirm the language that is displayed in the display.

SHOW WARNINGS

CASSETTE EMPTYON*, OFF

A Warning status is a status in which the printer requires some remedy although the job is not affected. When the printer is in this status, an indicator blinks.

This item allows you to specify whether an indicator should blink when the printer is in the following Warning status.

Setting	Status	Indicator Blink
CASSETTE EMPTY	When the paper cassette has run out of paper	The  (Paper Source) indicator for the paper source that has run out of paper blinks.



NOTE

The printer prints when either ON or OFF is specified.

PDL SELECT(PnP)

UFR II, PCL5E, PCL6

● If you want to connect the printer and computer with a USB cable

The printer driver for this printer may be installed automatically when the USB cable is connected.

You can select the type of the printer driver ("UFR II", "PCL5e", or "PCL6") to be installed in this item at the time.

● If you want to connect the printer and computer with a LAN cable

If you are using Windows Vista, you can detect the printer automatically using the WSD (Web Service on Devices) protocol.

You can select the type of the printer driver ("UFR II", "PCL5e", or "PCL6") to be installed on the automatically detected printer in this item.



IMPORTANT

- When installing the printer driver manually, be sure to match the setting of this item and the type of the printer driver to be installed. You cannot use printer drivers of a different type.
- After changing the settings for this item, cycle the power of the printer or perform a hard reset to make the settings effective.

TRAY PAPER SIZE

A4*, LTR, LGL, EXEC, MIXED SIZES, CUSTOM SIZE, CUSTOM SIZE R, ENV. ISO-C5, ENV. COM10, ENV. MONARCH, ENV. DL, ENV. ISO-B5, INDEX CARD, STMT, 16K, A5, B5

Specifies the size of the paper loaded in the multi-purpose tray.



IMPORTANT

- When you change the paper loaded in the multi-purpose tray frequently, it is convenient if TRAY PAPER SIZE is set to MIXED SIZES. If TRAY PAPER SIZE is set to MIXED SIZES, you do not need to specify the setting for TRAY PAPER SIZE each time you load different size paper. However, when specifying MIXED SIZES, make sure that the size of the paper loaded in the multi-purpose tray matches the paper size specified in the printer driver before printing. If they do not match, the printer may stop printing, displaying the message <41 CHK PAPER SIZE>, or a paper jam may occur. Be sure to check if the paper size specified in the printer driver matches the size of the paper loaded in the multi-purpose tray before using the printer.
- When printing custom size paper from UFR II Printer Driver, you can load the paper either in portrait or landscape orientation. However, if you want to print custom size paper of its long edges 215.9 mm or less when TRAY PAPER SIZE is set to MIXED SIZES, load the paper in landscape orientation. When you are not printing from UFR II Printer Driver, load the paper in portrait orientation.



NOTE

- Select CUSTOM SIZE or CUSTOM SIZE R when you want to specify custom size paper using application and print it. If a message that prompts you to change the size of the paper appears during printing, press the ●—● (Online) key to clear the error before printing again.
- You cannot print on any area within 10 mm of the edges of an envelope. (If you have selected the [Print with Upper Left of Sheet as Starting Point] check box in [Finishing Details] in UFR II Printer Driver, you can extend the printable area to near the edges of the paper. For more details, see Help of UFR II Printer Driver.)
- You can obtain the same result by specifying the setting for TRAY PAPER SIZE in the SELECT FEEDER menu.

CASSETTE1 SIZE

A4*, LTR, LGL, EXEC, MIXED SIZES, CUSTOM SIZE, CUSTOM SIZE R, A5, B5

Specifies the size of the paper loaded in the paper cassette in the printer unit (Cassette 1).



IMPORTANT

- When you change the paper loaded in the paper cassette frequently, it is convenient if you set CASSETTE1 SIZE to MIXED SIZES. When CASSETTE1 SIZE is set to MIXED SIZES, you do not need to specify the settings for CASSETTE1 SIZE each time the different size paper is loaded. However, when specifying MIXED SIZES, make sure that the size of the loaded paper matches the paper size specified in the printer driver before printing. If they do not match, the printer may stop printing, displaying the message <41 CHK PAPER SZE>, or a paper jam may occur. Be sure to check if the paper size specified in the printer driver matches the size of the paper loaded in the paper cassette before using the printer.
- When printing custom size paper from UFR II Printer Driver, you can load the paper either in portrait or landscape orientation. However, if you want to print custom size paper of its long edges 215.9 mm or less when CASSETTE1 SIZE is set to MIXED SIZES, load the paper in landscape orientation. When you are not printing from UFR II Printer Driver, load the paper in portrait orientation.



NOTE

- Select CUSTOM SIZE or CUSTOM SIZE R when you want to specify custom size paper using application and print it. If a message that prompts you to change the size of the paper appears during printing, press the ●→ (Online) key to clear the error before printing again.
- You can obtain the same result by specifying the setting for CASSETTE1 SIZE in the SELECT FEEDER menu.

CASSETTE2 SIZE

A4*, LTR, LGL, EXEC, MIXED SIZES, CUSTOM SIZE, CUSTOM SIZE R, A5, B5

Specifies the size of the paper loaded in the paper cassette of the paper feeder (Cassette 2).



IMPORTANT

- When you change the paper loaded in the paper cassette frequently, it is convenient if you set CASSETTE2 SIZE to MIXED SIZES. When CASSETTE2 SIZE is set to MIXED SIZES, you do not need to specify the settings for CASSETTE2 SIZE each time the different size paper is loaded. However, when specifying MIXED SIZES, make sure that the size of the loaded paper matches the paper size specified in the printer driver before printing. If they do not match, the printer may stop printing, displaying the message <41 CHK PAPER SIZE>, or a paper jam may occur. Be sure to check if the paper size specified in the printer driver matches the size of the paper loaded in the paper cassette before using the printer.
- When printing custom size paper from UFR II Printer Driver, you can load the paper either in portrait or landscape orientation. However, if you want to print custom size paper of its long edges 215.9 mm or less when CASSETTE2 SIZE is set to MIXED SIZES, load the paper in landscape orientation. When you are not printing from UFR II Printer Driver, load the paper in portrait orientation.



NOTE

- Select CUSTOM SIZE or CUSTOM SIZE R when you want to specify custom size paper using application and print it. If a message that prompts you to change the size of the paper appears during printing, press the ●—● (Online) key to clear the error before printing again.
- You can obtain the same result by specifying the setting for CASSETTE2 SIZE in the SELECT FEEDER menu.
- This item is displayed only when the optional paper feeder is installed.

STD PAPER SIZE

A4*, LTR, LGL, EXEC, ENV. ISO-C5, ENV. COM10, ENV. MONARCH, ENV. DL, ENV. ISO-B5, INDEX CARD, STMT, 16K, A5, B5

Specifies a standard paper size for when the printer cannot determine the size of the paper to process, such as when using paper that you cannot specify its size in an application.



IMPORTANT

When printing from Windows or Macintosh, specify the paper size in the printer driver. When you want to print from a computer in which an operating system such as MS-DOS and UNIX is used and cannot specify the paper size, specify the size in this item.

TRAY PRIORITY

OFF*, ON

Specifies whether the printer should detect the paper source in order starting with the multi-purpose tray when AUTO is specified in the SELECT FEEDER menu.

If OFF is specified, the printer detects if the size of the paper in a paper source matches the paper size of the received data in the following order.

Cassette 1 → Cassette 2 * 1 → Multi-purpose Tray


If ON is specified, the printer detects if the size of the paper in a paper source matches the paper size of the received data in the following order starting with the multi-purpose tray.

Multi-purpose Tray → Cassette 1 → Cassette 2 * 1

*1: Only when the optional paper feeder is installed



NOTE

- If INVLPAPER TRAY (See the next item) is set to ON, the setting for this item is ignored, and the printer detects the paper source starting with the paper cassette. When paper that is the same size as the paper size of the received data is not loaded in the selected paper source, the printer feeds paper from the multi-purpose tray.
- Specify the setting for automatic paper selection in PAPER SOURCE (See p. 6-53) in the SELECT FEEDER menu.
- This item is effective only when PAPER SOURCE in the SELECT FEEDER menu is set to AUTO.
- Even if ON is specified for this item, the printer does not feed paper from the multi-purpose tray when the size of the paper in the multi-purpose tray is different from the paper size of the received data. However, if INVLPAPER TRAY (See the next item) is set to ON, a message that prompts you to replace the paper in the multi-purpose tray appears when the paper that is the same size as the paper size of the received data is not loaded in the selected paper source.
- Even if ON is specified for this item, depending on the received data, paper may be fed not from the multi-purpose tray but from the paper cassette when the  (Paper Source) indicator for the paper cassette for the paper size of the received data is on.

INVLDPAPER TRAY

OFF*, ON

Specifies what the printer does when paper that is the same size as the paper size of the received data is not loaded in the selected paper source.

If OFF is specified, a message that prompts you to replace the paper in the paper cassette appears, and the printer stops printing.

If ON is specified, the printer feeds paper from the multi-purpose tray. If the size of the paper loaded in the multi-purpose tray is different from the paper size of the received data, a message that prompts you to replace the paper in the multi-purpose tray appears, and the printer stops printing. When no paper is loaded in the multi-purpose tray, or the multi-purpose tray runs out of paper, a message that informs you of the tray's paper-out condition appears, and the printer stops printing.



NOTE

If ON is specified for this item, the settings for TRAY in AUTO SELECTION (See the next item) and TRAY PRIORITY (See the previous item) are ignored, and the printer feeds paper from the multi-purpose tray when paper that is the same size as the paper size of the received data is not loaded in the selected paper source.

6

AUTO SELECTION

TRAY ON*, OFF
CASSETTE 1 ON*, OFF
CASSETTE 2*1 ON*, OFF

*1 CASSETTE 2 is displayed only when the optional paper feeder is installed.

Specifies the paper source to be automatically selected when the automatic paper selection is specified in the SELECT FEEDER menu. Specify the setting for the multi-purpose tray and paper cassette individually.

If ON is specified, the printer selects the respective paper source as the paper source to be automatically selected. If OFF is specified, the printer does not select the respective paper source as the paper source to be automatically selected.



NOTE

- If INVLDPAPER TRAY (See the previous item) is set to ON, the setting for TRAY in this item is ignored, and the printer feeds paper from the multi-purpose tray when paper that is the same size as the paper size of the received data is not loaded in the selected paper source.
- Specify the setting for automatic paper selection in PAPER SOURCE (See p. 6-53) in the SELECT FEEDER menu.

STD PAPER TYPE

PLAIN PAPER*, PLAIN PAPER L, HEAVY PAPER 1, HEAVY PAPER 2, HEAVY PAPER 3, TRANSPARENCIES, ENVELOPE, LABEL

Specifies the default paper type. This printer internally applies the optimum print mode for the paper type specified in this item.

Each print mode supports the following paper types.

- PLAIN PAPER: Plain Paper (60 - 89 g/m²)
- PLAIN PAPER L: Specify when paper curls excessively on printing with PLAIN PAPER selected.
- HEAVY PAPER 1: Heavy Paper (90 - 120 g/m²)
- HEAVY PAPER 2: Heavy Paper (121 - 163 g/m²)
- HEAVY PAPER 3: Specify when you want to improve the toner fixation on printing with STD PAPER TYPE set to HEAVY PAPER 2.
- TRANSPARENCIES: Transparencies
- ENVELOPE: Envelopes
- LABEL: Labels



IMPORTANT

When printing from Windows or Macintosh, specify the paper type in the printer driver. When you want to print from a computer in which an operating system such as MS-DOS and UNIX is used and cannot specify the paper type, specify the paper type in this item.

2-SIDED PRINT.

OFF*, ON

Specifies whether the printer should print on one side or both sides of the paper. If ON is specified, the printer prints on both sides of the paper.



IMPORTANT

When printing from Windows or Macintosh, specify 2-sided printing in the printer driver. When you want to print from a computer in which an operating system such as MS-DOS and UNIX is used and cannot specify 2-sided printing, specify the setting in this item.



NOTE

- You can perform automatic 2-sided printing only on plain paper (60 to 89 g/m²) and heavy paper (90 to 120 g/m²) at sizes of A4, Legal, and Letter. For more details, see "Paper Requirements," on p. 4-2.
- When performing automatic 2-sided printing on paper with a logo, load the paper as the following.
 - When printing from the paper cassette, load the paper with the printing side of the first page facing up.
 - When printing from the multi-purpose tray, load the paper with the printing side of the first page facing down.
- You can obtain the same result by setting 2-SIDED PRINT. in the SELECT FEEDER menu.

LAYOUT MENU Options

COPIES

1 to 9999; 1*

Specifies the number of copies to be printed.

The printer prints the specified number of copies.

OFFSET Y/OFFSET X

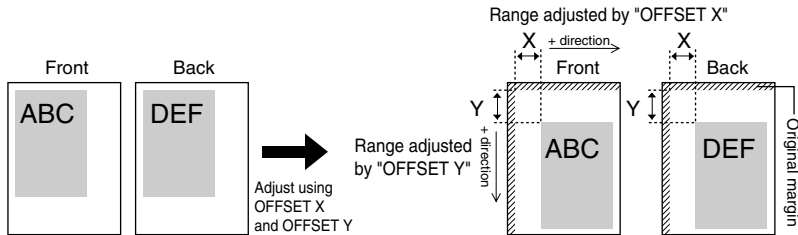
-50.0 to 50.0; 0.0* (mm)

Adjusts the printing position in the vertical direction (Y) or the horizontal direction (X) by the specified value.

The printing position changes as follows according to the increase and decrease of the specified value.

OFFSET Y: As the value increases, the gutter width in the Y direction increases.
As the value decreases, the gutter width in the Y direction decreases.

OFFSET X: As the value increases, the gutter width in the X direction increases.
 As the value decreases, the gutter width in the X direction decreases.



IMPORTANT

If any part of the print image lies outside the printable area after adjusting the printing position, the part will be missing in the print result.

NOTE

Each time you press [▶], the value increases in 0.5 mm increments, and each time you press [◀], the value decreases in 0.5 mm increments. If you keep holding down [▶] or [◀], the speed of the value changing is increased.

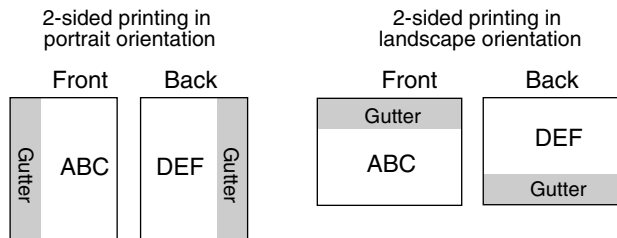
BIND.LOCATION

LONG EDGE*, SHORT EDGE

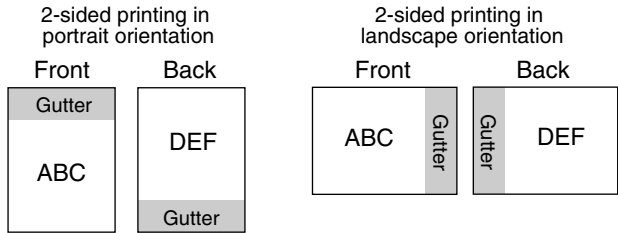
Specifies which edge of the paper, the long edge or short edge, is to be bound. When you want to bind paper on which 2-sided printing is performed, the printer adjusts the binding location automatically according to the paper surface.

Specify the binding location (top/bottom/left/right) and its width in GUTTER (See the next item).

If LONG EDGE is specified, the binding location is created on the long edge of the paper.



If **SHORT EDGE** is specified, the binding location is created on the short edge of the paper.



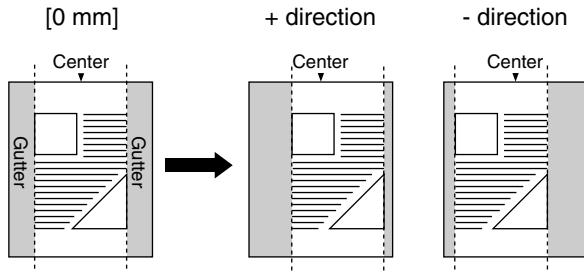
NOTE

You cannot create a gutter only by specifying this item. A gutter can be created only after specifying this item in combination with the setting for **GUTTER**.

GUTTER

-50.0 to 50.0; 0.0* (mm)

Specifies the gutter width for printing with the binding location created. A gutter is created with the image shifted by the specified value. You can shift the image in the "+" direction with a positive value and in the "-" direction with a negative value.



Specify on which edge of the paper, the long edge or short edge, the gutter is to be created in **BIND.LOCATION** (See the previous item). On which edge (top/bottom/left/right) of the paper the gutter is created depends on the setting for **BIND.LOCATION** and which value "+" or "-" is specified for this item.



IMPORTANT

If any part of the print image lies outside the printable area after creating a gutter, the part will be missing in the print result.



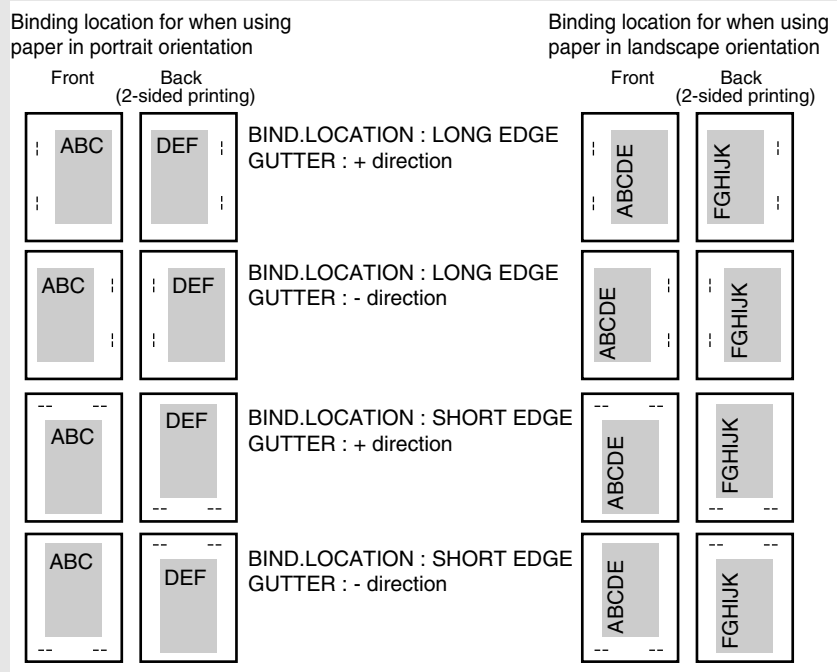
NOTE

- Each time you press [▶], the value increases in 0.5 mm increments, and each time you press [◀], the value decreases in 0.5 mm increments. If you keep holding down [▶] or [◀], the speed of the value changing is increased.

- If the settings for OFFSET Y and OFFSET X are specified at the same time as the setting for this item is specified, the settings for OFFSET Y and OFFSET X are processed first, and then the setting for this item is processed.

● Settings for BIND.LOCATION and GUTTER

Specify BIND.LOCATION and GUTTER referring to the following finishing image.



Specify whether you print in portrait orientation or landscape orientation in an application.

ALT.METHOD

ON*, OFF

Specifies the printing side of the last page on a job with odd number of pages when 2-SIDED PRINT. (See p. 6-19) is set to ON.

The printing side of the last page varies depending on the setting for this item or paper source as the following.

- When printing from the paper cassette
 - If ON is specified, the printer prints on the underside of the loaded paper.
 - If OFF is specified, the printer prints on the upper side of the loaded paper.

- When printing from the multi-purpose tray
If ON is specified, the printer prints on the upper side of the loaded paper.
If OFF is specified, the printer prints on the underside of the loaded paper.
Specify OFF for this item when you want to match the setting of the orientation or printing side for the last page with those for its previous page, such as when you want to print previously printed paper etc. whose printing orientation or printing side is fixed.



NOTE

This item is effective only when 2-SIDED PRINT. is set to ON.

QUALITY MENU Options

IMAGE REFINEMENT

ON*, OFF

Specifies whether the printer should use Image Refinement that enables to print jagged outlines of text or graphics smoothly.

If ON is specified, the printer prints using Image Refinement.

If OFF is specified, the printer prints without using Image Refinement.



NOTE

- The effect of Image Refinement varies depending on the pattern of text or graphics (diagrams, charts, graphs, etc).
- If GRADATION LEVEL (See the next item) is set to HIGH, the setting for this item is ignored, and the printer prints in the same way as when OFF is specified.

GRADATION LEVEL

STANDARD*, HIGH

Specifies the gradation level for data.

STANDARD is suitable to print thin lines or data of low resolution.

HIGH is suitable to print data of high resolution with complex gradations, such as photographs and graded images. You print data more clearly than when STANDARD is specified.



NOTE

If this item is set to HIGH, the setting for IMAGE REFINEMENT (See the previous item) is ignored even if ON is specified for it, and the printer prints in the same way as when OFF is specified.

TONER SAVE

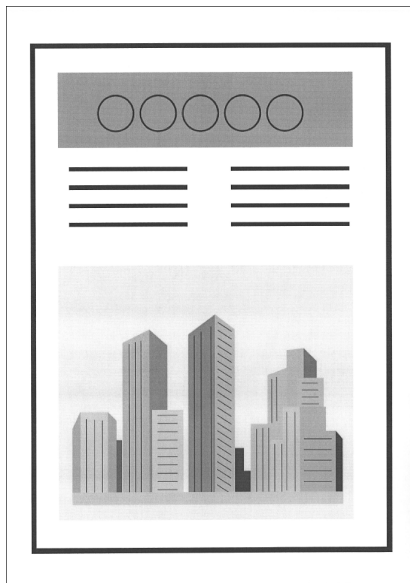
OFF*, ON

Specifies whether to use the toner save mode that is suitable for when printing a proof sheet.

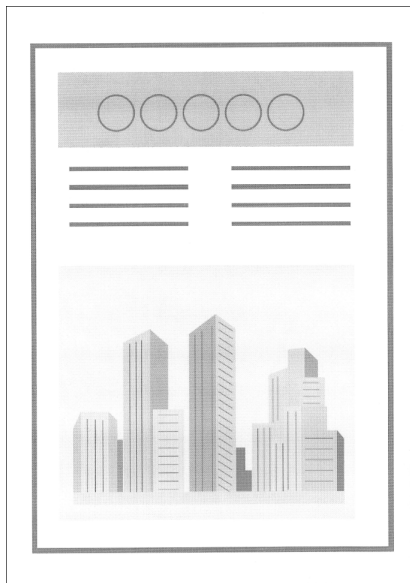
NOTE

If ON is specified for this item, print result may be faint and unclear. Parts to which gradation is applied in very light gray may appear denser in color.

- When printing without using the toner save mode



- When printing using the toner save mode



DENSITY

1 to 16; 4*

Adjusts the print density for the print data. As the setting value increases, the print density becomes denser.

HALFTONES

TEXTRESOLUTION*, GRADATION, COLOR TONE, HIGH RESOL.
GRAPHICSCOLOR TONE*, HIGH RESOL., RESOLUTION, GRADATION
IMAGE.....COLOR TONE*, HIGH RESOL., RESOLUTION, GRADATION

This setting specifies how to express halftones in black and white data.

Print data is expressed in dots. Fine gradations, edges, and shades are expressed by using dither patterns, which are groups of dots. This is called halftone processing.

For example, using a pattern that sharpens character and line edges, or a pattern that smoothens image and graph gradation, enables you to obtain the most suitable texture.

If RESOLUTION is selected, you can print text with distinct outlines, which is best to print text and thin lines.

If GRADATION is selected, you can print with both smooth gradation and outlines, which is best to print graphs and graphics that use gradation.

If COLOR TONE is selected, you can print with sharp gradation and well-balanced texture, contrasting light and shade, which is best for printing images.

If HIGH RESOL. is selected, finer printing can be done than with RESOLUTION, although toner stability is somewhat weaker. This is suited to printing small characters and fine lines, and outlines (such as from CAD data) sharply.

QUALITY CHANGE

CONT.PRINTING*, STOP PRINTING

Specifies whether the printer should continue printing with the image quality level being lowered automatically or stop printing, displaying the following error message when the memory required for the process runs out.

Error Message	Setting
<38 LOW IMGE QLTY>	When the printer receives a large amount of data or complicated data, the memory required for the process may run out, and the printer may print with the image quality level being lowered automatically. Specify whether the printer should display an error message when the printer is in this status.

If CONT.PRINTING is specified, the printer prints with the image quality level being lowered automatically without displaying a message.

If STOP PRINTING is specified, the printer stops printing, displaying a message. In this case, the printer resumes printing with the image quality level being lowered by pressing the ●→ (Online) key.



NOTE

When the message <38 LOW IMGE QLTY> appears frequently by specifying STOP PRINTING for this item, perform the following procedure.

- If GRADATION LEVEL is set to HIGH, set it to STANDARD. If you do so, however, the printer prints with the gradation level of the data being lowered.

INTERFACE MENU Options

I/F CONNECTION

USB	ON*, OFF
NETWORK	ON*, OFF

Specifies the settings for the interfaces used for communication with the computer, etc.

You can specify ON or OFF for each interface.

Even if multiple interfaces are set to ON, the printer automatically switches to the one that received the data first. Therefore, you do not need to change the setting in the printer each time you connect the printer to different types of interfaces at the same time.



IMPORTANT

After changing the settings for this item, cycle the power of the printer or perform a hard reset to make the settings effective.

MODE TIMEOUT

OFF, 5 to 300 seconds; 15 seconds*

Specifies the function to finish a job automatically.

If you specify the time the printer times out in this item, the printer can finish a job automatically when the specified time has elapsed since no data is entered.


If this item is specified, the printer can output paper automatically when data is remaining in the printer because of an application not sending the command to output paper.

When OFF is specified, the printer does not use the function to finish a job automatically.

IMPORTANT

If the function to finish a job automatically is specified, the job may be finished in the middle of the process when the computer takes a long time to process the data. In this case, adjust the time the printer times out.

NOTE

- The  (Job) indicator on the control panel is on or blinking during a job.
- When the printer is offline, the printer does not use the function to finish a job automatically.

NETWORK MENU

■ TCP/IP SETTINGS

IP V. 4 SETTING
IP MODE.....MANUAL*, AUTO
PROTOCOL*¹
DHCP.....OFF*, ON
BOOTPOFF*, ON
RARP.....OFF*, ON
IP SETTINGS
IP ADDRESS.....0.0.0.0*
SUBNET MASK0.0.0.0*
GATEWAY ADDRESS0.0.0.0*
IP ADD.RANGE
REJECT RX/PRT.....OFF*, ON
REJECT ADD.SET.*²REJ IP 1 to 8
PERMIT RX/PRTOFF*, ON
PERMIT ADD.SET.*²PER IP 1 to 8
REJ SET/BROWSEOFF*, ON
REJECT ADD.SET.*²REJ IP 1 to 8
PMT SET/BROWSEOFF*, ON
PERMIT ADD.SET.*²PER IP 1 to 8
DNS
PRIMARY ADD.0.0.0.0*
SECONDARY ADD.0.0.0.0*
IP V. 6 SETTING
IP V. 6.....OFF*, ON
WINSOFF*, ON
ARP/PING.....ON*, OFF
FTP
FTP PRINTON*, OFF
FTP SETTINGSON*, OFF
LPD PRINTON*, OFF
RAW PRINT.....ON*, OFF
WSD
WSD PRINT.....ON*, OFF
WSD BROWSING*³ON*, OFF
MULTICAST DISC.ON*, OFF
HTTPON*, OFF
RESPONSE.....ON*, OFF
MAC ADDRESS SET
PERMIT RECEIVEOFF*, ON
PERMIT ADD.SET.*²PER.MAC ADD.1 to 50

*1 PROTOCOL is displayed only when IP MODE is set to AUTO.

*2 REJECT ADD.SET. and PERMIT ADD.SET. are displayed only when REJECT RX/PRT, PERMIT RX/PRT, REJ SET/BROWSE, PMT SET/BROWSE, or PERMIT RECEIVE is set to ON.

*3 WSD BROWSING is displayed only when WSD PRINT is set to OFF.

Specifies the TCP/IP setting for the print server equipped with this printer.

Item	Setting
IP MODE	Select the method for setting the IP address. - When specifying the IP address using any one of DHCP, BOOTP, or RARP, select AUTO . - When specifying the IP address to the printer directly, select MANUAL .
PROTOCOL	If you have set IP MODE to AUTO, select which protocol you want to use. Set each of DHCP , BOOTP , and RARP to ON (use) or OFF (do not use).
IP SETTINGS	Specify the settings for IP ADDRESS , SUBNET MASK , and GATEWAY ADDRESS . For the method for entering the addresses, see "Method for entering addresses" below the table.

Item	Setting
<p>IP ADD.RANGE</p>	<p>Restrict the users who can print or perform the printer settings using IP addresses.</p> <ul style="list-style-type: none"> - To reject specific users from printing, set REJECT RX/PRT to ON, and then specify the addresses to be rejected in REJECT ADD.SET. - To permit specific users to print, set PERMIT RX/PRT to ON, and then specify the addresses to be permitted in PERMIT ADD.SET. - To reject specific users from changing the settings, set REJECT ADD.SET. to ON, and then specify the addresses to be rejected in REJECT ADD.SET. - To permit specific users to change the settings, set PERMIT ADD.SET. to ON, and then specify the addresses to be permitted in PERMIT ADD.SET. <p>Enter addresses in REJECT ADD.SET. and PERMIT ADD.SET. using the following procedure.</p> <p>(This section describes the setting procedure taking REJECT ADD.SET as an example. You can also apply this procedure to the setting for PERMIT ADD.SET.)</p> <ol style="list-style-type: none"> ① Select REJECT ADD.SET., then press [OK]. ② Select REJ IP 1 START, then press [OK]. ③ Enter the IP address to be rejected, then press [OK]. <p>For the method for entering the addresses, see "Method for entering addresses" below the table.</p> <ol style="list-style-type: none"> ④ If you enter an IP address in REJ IP 1 END, the IP addresses between REJ IP 1 START and REJ IP 1 END are rejected. For example, if you specify addresses as follows, 12 addresses between "192.168.0.200" and "192.168.0.211" are rejected. <ul style="list-style-type: none"> - Entering "192.168.0.200" for REJ IP 1 START - Entering "192.168.0.211" for REJ IP 1 END ⑤ If you want to enter other IP addresses to be rejected, enter them starting from REJ IP 2 START. You can enter up to eight addresses.
<p>DNS</p>	<p>Specify the settings for PRIMARY ADD. and SECONDARY ADD. for DNS.</p> <p>For the method for entering the addresses, see "Method for entering addresses" below the table.</p> <p>* Specify the settings for [DNS Host Name], [DNS Domain Name], and [DNS Dynamic Update] from the Remote UI. (See Network Guide)</p>
<p>IP V. 6 SETTING</p>	<p>If you want to use IP v. 6, specify ON.</p>

Item	Setting
WINS	If you want to use WINS Resolution, specify ON . * Specify the settings for [WINS Server Address] and [Scope ID] from the Remote UI. (See Network Guide)
ARP/PING	If you want to use the ARP/PING function, specify ON .
FTP	If you want to use FTP Print, set FTP PRINT to ON . * Specify the settings for [FTP Print User Name] and [FTP Print Password] from the Remote UI. (See Network Guide) If you want to perform the settings using FTP Client, set FTP SETTINGS to ON .
LPD PRINT	If you want to use LPD Print, specify ON . * Specify the setting for [Print LPD Banner Page] from the Remote UI. (See Network Guide)
RAW PRINT	If you want to use RAW Print, specify ON . * Specify the setting for [Bidirectional Communication] from the Remote UI. (See Network Guide)
IPP PRINT	If you want to use IPP Print, specify ON . * Specify the settings for [IPP Authentication], [IPP User Name], and [IPP Password] from the Remote UI. (See Network Guide)
WSD	If you want to use WSD Print, set WSD PRINT to ON , and then specify the following settings. - If you want to obtain printer information using WSD, set WSD BROWSING to ON . If you set WSD PRINT to ON, WSD BROWSING is not displayed. (WSD BROWSING is fixed at ON.) - If you want to set the printer to respond to requests from multicast discovery, set MULTICAST DISC. to ON .
HTTP	If you want to use the HTTP function, specify ON . Specifying OFF disables the Remote UI and IPP Print.
RESPONSE	If you want to set the printer so that it responds to searches that used the multicast discovery function, specify ON . * Specify the setting for [Scope Name] from the Remote UI. (See Network Guide)

Item	Setting
MAC ADDRESS SET	<p>Permits access only from users with a specific MAC address. Set PERMIT RECEIVE to ON, and then specify the addresses to be permitted in PERMIT ADD.SET.</p> <p>Enter addresses in PERMIT ADD.SET. using the following procedure.</p> <ol style="list-style-type: none"> ① Select PERMIT ADD.SET., then press [OK]. ② Select PER.MAC ADD.1 then press [OK]. ③ Enter the MAC address to be permitted, then press [OK]. ④ If you want to enter other MAC addresses to be permitted, enter them starting from PER.MAC ADD.2. You can enter up to 50 addresses.

"Method for entering addresses"

1. Move the cursor to each field (an area separated by periods to enter three-digit numbers) in which you want to enter the address, by pressing [◀] or [▶] (The number in the field blinks, allowing you to enter a value.).
2. Enter the numbers ([▲] increases the value and [▼] decreases the value.).
3. After entering values in all the fields, press [OK] to confirm the settings.



IMPORTANT

After changing the settings for this item, cycle the power of the printer or perform a hard reset to make the settings effective.



NOTE

This item is displayed only when NETWORK in the I/F CONNECTION options is set to ON.

■ APPLE TALK

OFF*, ON

Specifies whether the printer should use AppleTalk.



NOTE

- For more details on AppleTalk, see "Chapter 6 Using the Printer on an AppleTalk Network (Macintosh)" in Network Guide.
- This item is displayed only when NETWORK in the I/F CONNECTION options is set to ON.

■ SMB

SMB SERVER OFF*, ON

Specifies whether the printer should use the SMB protocol.



NOTE

This item is displayed only when NETWORK in the I/F CONNECTION options is set to ON.

■ SNMP V. 1

ON*, OFF

Specifies whether the printer should use the SNMP v. 1 protocol.



NOTE

- For more details on SNMP v. 1, see "Chapter 2 Common Network Settings" in Network Guide.
- This item is displayed only when NETWORK in the I/F CONNECTION options is set to ON.

■ SNMP V. 3 SET.

SNMP V. 3 OFF*, ON
USER SETTING 1 to 5*¹
AUTH .PASSWORD
ENCRYPT.PASSWRD



*¹ USER SETTING 1 to 5 is displayed only when SNMP V. 3 is set to ON.

Specify the settings related to SNMP v. 3 protocol.

If you want to specify or change user information (authentication password and encryption password) to be used in the SNMP v. 3 protocol, perform the following procedure.

1. Select USER SETTING N (N = 1 to 5) using [◀] and [▶], then press [OK].
2. Confirm the user name*, then press [OK].
* "initial" (the default value) or the user name specified in the Remote UI is displayed.
3. Select AUTH .PASSWORD or ENCRYPT.PASSWRD using [◀] and [▶], then press [OK].
4. Enter the password, then press [OK].

Input Method:

- Enter the password of 6 to 16 characters by pressing [▲] and [▼].
- Move the cursor to each field in which you want to enter a value by pressing [◀] and [▶] (The cursor blinks, allowing you to enter a value.).
- If you press the  (Feeder Selection) key, a space for entering a character is created at the cursor position.
- If you press the  (Cancel Job) key, the character at the cursor position is deleted.



NOTE

- For more details on SNMP v. 3, see "Chapter3 Using the Printer on a TCP/IP Network (Windows/UNIX)" in Network Guide.
- This item is displayed only when NETWORK in the I/F CONNECTION options is set to ON.

■ START WAIT TIME

0 to 300 seconds; 0 seconds*

Specifies the time interval from when the printer is turned ON to when the protocol starts.



NOTE

- For more details on startup waiting time, see "Chapter 2 Common Network Settings" in Network Guide.
- This item is displayed only when NETWORK in the I/F CONNECTION options is set to ON.

■ REMOTE UI SET.

REMOTE UI.....ON*, OFF

Specifies whether the printer should use the Remote UI.



NOTE

This item is displayed only when NETWORK in the I/F CONNECTION options is set to ON.

■ ETHERNET DRIVER

AUTO DETECT.....ON*, OFF
 COMM.MODE*¹.....HALF DUPLEX*, FULL DUPLEX
 ETHERNET TYPE*¹10 BASE-T*, 100 BASE-TX
 MAC ADDRESS.....(Display only)

*¹ COMM.MODE and ETHERNET TYPE are displayed only when AUTO DETECT is set to OFF.
 Configures the Ethernet driver.



NOTE

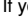
- For more details on configuring the Ethernet driver, see "Chapter 2 Common Network Settings" in Network Guide.
- This item is displayed only when NETWORK in the I/F CONNECTION options is set to ON.

■ INIT.N/W SET.

-

By the initialization in this item, you can reset the network settings to the default settings.

The network settings can be initialized using the following procedure.

1. Press the (Settings) key.
 2. Select INTERFACE MENU using [◀] and [▶], then press [OK].
 3. Select NETWORK MENU using [◀] and [▶], then press [OK].
 4. Select INIT.N/W SET. using [◀] and [▶], then press [OK].
 5. <OK?> is displayed. The initialization starts by pressing [OK].
- * If you press the  (Online) key without pressing [OK], the printer does not initialize the settings but becomes ready to print.



NOTE

This item is displayed only when NETWORK in the I/F CONNECTION options is set to ON.

CONNECT.RECOG.

ON*, OFF

When you print using a network, you may not obtain proper printout results (Unreadable characters are printed, etc.). In this case, specify OFF for this item.

PRINT MODE Options

MODE SELECTION

PCL*, IMAGING

Specifies the mode in which this printer operates when you print without using the printer driver for this printer.

If the print mode is not appropriate, such a printing problem as unreadable characters being printed may occur. Specify this item according to the data to be printed.



NOTE

The IMAGING mode is used for the direct print function.

ADJ.START POS.

OFFSET Y(TRAY)	-5.0 to 5.0; 0.0* (mm)
OFFSET X(TRAY)	-5.0 to 5.0; 0.0* (mm)
OFFSET Y(CASS1)	-5.0 to 5.0; 0.0* (mm)
OFFSET X(CASS1)	-5.0 to 5.0; 0.0* (mm)
OFFSET Y(CASS2)* ¹	-5.0 to 5.0; 0.0* (mm)
OFFSET X(CASS2)* ¹	-5.0 to 5.0; 0.0* (mm)
OFFSET Y(DUP.)	-5.0 to 5.0; 0.0* (mm)
OFFSET X(DUP.)	-5.0 to 5.0; 0.0* (mm)

*1 OFFSET Y(CASS2) and OFFSET X(CASS2) are displayed only when the optional paper feeder is installed.

Specifies the printing position of the paper in the specified paper source. Adjusts the position in the vertical direction (Y) or the horizontal direction (X) by the specified value.

The setting values are indicated in millimeters (mm), and you can adjust the position in 0.1 mm increments using [▶] and [◀].

If you do not adjust the printing position, specify "0.0" for this item.

OFFSET Y(DUP.) and OFFSET X(DUP.) allow you to specify the printing position of the first page of 2-sided printing. The second page of 2-sided printing follows the settings for each paper source.



IMPORTANT

If any part of the print image lies outside the printable area after adjusting the printing position, the part will be missing in the print result.



NOTE

- Each time you press [▶], the value increases in 0.1 mm increments, and each time you press [◀], the value decreases in 0.1 mm increments.
- You can check the adjusted printing position in PRNTPOSNPRINT (See p. 6-49) in the UTILITY menu.
- For adjusting the printing position, see "Adjusting the Printing Position," on p. 7-22.
- Be aware that, when adjusting the printing position for 2-sided printing, the orientation of the images on the reverse pages varies depending on the printing orientation or setting for BIND.LOCATION (See p. 6-21).

RECVRY PRINTING

ON*, OFF

Specifies whether to print the partially printed page when the printer stops printing due to a paper jam or an error occurring.

If ON is specified for this item, the printer prints from the page in which a paper jam or error occurred.


If OFF is specified for this item, the printer does not print from the partially printed page but prints from the next page when a paper jam or error has occurred.

When the printer is performing 2-sided printing, it does not print the reverse page of the partially printed page. The printing starts from the front side of the next sheet.

CHK PAPER SIZE

OFF*, ON

Specifies whether the printer should stop printing, displaying the message <41 CHK PAPER SIZE> or continue printing when TRAY PAPER SIZE, CASSETTE1 SIZE, or CASSETTE2 SIZE is set to MIXED SIZES.

If OFF is specified, the printer may stop printing, displaying <41 CHK PAPER SIZE>, when the paper size specified in the application is different from the size of the paper loaded in the multi-purpose tray or paper cassette. The paper on which the error occurred is output automatically. You can also continue printing by pressing the  (Online) key. However, the data may not be printed properly, or a paper jam may occur.

If ON is specified, the printer prints without performing a print check even when the paper size specified in the application is different from the size of the paper loaded in the multi-purpose tray or paper cassette. However, the printing speed may drop. Also, because the paper is printed at the paper size specified in the application, blank areas may appear on the printed paper or part of the images may be missing when the size of the paper loaded in the multi-purpose tray or paper cassette is different from the paper size specified in the application.



IMPORTANT

For automatic 2-sided printing, <41 CHK PAPER SIZE> always appears and the printer stops printing regardless of the setting for this item.

SUBSTITUTE SIZE

OFF*, ON

When the paper cassette for the paper size to be used is not set in the printer, the printer switches the paper source to the following paper cassettes and prints.

Printer Driver Setting		Size of the Paper to Be Printed
A4	→	Letter
Letter	→	A4

If ON is specified, the printer switches the paper size.

If OFF is specified, the printer does not switch the paper size but stops printing, displaying an error message.



NOTE

Even if ON is specified, the printer does not switch the paper size when the paper source for the paper size is empty.

SP.PRINT ADJ A

MODE 1*, MODE 2, MODE 3, MODE 4

Depending on the paper type or the operating environment, vertical streaks may appear on the printed paper.

In this case, specify MODE 2 for this item.

If the problem is not solved by specifying MODE 2, specify MODE 3.

If the problem is not solved by specifying MODE 3, specify MODE 4.



IMPORTANT

- Resetting the setting to MODE 1 due to change in paper type or operating environment may also avoid vertical streaks appearing on the printed paper. In this case, specify MODE 1.
- Vertical streaks are alleviated by specifying MODE 2, MODE 3, or MODE 4. However, this decreases print density compared to when MODE 1 is specified. This may also make outlines appear to be blurred or slightly jagged.

UPDATE FIRMWARE

■ USB

-

This item is to be executed only when the firmware of the printer needs to be updated.

■ NETWORK

-

This item is to be executed only when the firmware of the printer needs to be updated.

PCL SETUP Options

PAPER SAVE

OFF*, ON

Specifies whether the printer outputs the blank page that can be created due to no data existing between two Form Feed codes sent from an application.

If ON is specified, the printer does not output the blank page. If OFF is specified, the printer outputs the blank page.

If you use this function, you can save paper because the blank pages are not output.

ORIENTATION

PORTRAIT*, LANDSCAPE

Enables you to set the paper orientation.

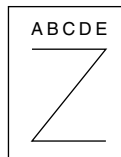
If PORTRAIT is selected, the print image is printed in portrait orientation regardless of the orientation of the paper in the paper cassette.



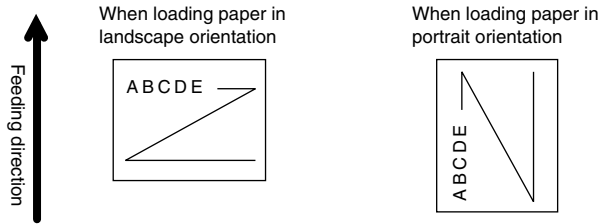
When loading paper in landscape orientation



When loading paper in portrait orientation



If LANDSCAPE is selected, the print image is printed in landscape orientation regardless of the orientation of the paper in the paper cassette.



FONT NUMBER

0 to 54; 0*

Enables you to set the default font typeface for this printer function using the corresponding font numbers. Valid font numbers are from 0 to 54.

POINT SIZE

4.00 to 999.75 point; 12.00 point*

If the number selected in FONT NUMBER is that of a proportionally spaced scalable font, this option appears in the PCL SETUP options. It enables you to specify a point size for the default font. The point size can be adjusted in increments of 0.25 pts.

PITCH

0.44 to 99.99 cpi; 10.00 cpi*

If the number selected in FONT NUMBER is that of a fixed pitch scalable font, Pitch appears in the PCL SETUP options. It enables you to specify the pitch for the default font. The pitch can be adjusted in increments of 0.01 cpi (characters per inch).

FORM LINES

5 to 128 lines; 64 lines*

Enables you to specify the number of lines to be printed on a page. You can specify from 5 to 128 lines.

SYMBOL SET

PC8*, ROMAN8, ROMAN9, ISOL1, ISOL2, ISOL5, ISOL6, ISOL9, PC775, PC8DN, PC850, PC852, PC858, PC8TK, PC1004, WINL1, WINL2, WINL5, WINBAL, DESKTOP, PSTEXT, LEGAL, ISO4, ISO6, ISO11, ISO15, ISO17, ISO21, ISO60, ISO69, WIN 30, MCTEXT

Enables you to select the symbol set most suited to the needs of the host computer.

CUSTOM SIZE

DO NOT SET*, SET

Enables you to specify a custom paper size. If SET is selected, you can enter a custom size.



NOTE

You can only select the custom paper size entered with settings from the printer driver.

UNIT OF MEASURE

Millimeters*, Inches

Enables you to specify the unit of measurement you would like to use to specify your custom paper size.



NOTE

This item is displayed only when CUSTOM SIZE is set to SET.

X DIMENSION

76.2 to 215.9 mm; 215.9 mm*(3.00 to 8.50 inches; 8.50 inches*)

Enables you to specify the X dimension of the custom paper. The X dimension can be adjusted between 76.2 mm (3.00") and 215.9 mm (8.50") in increments of 0.1 mm (0.01").

This function can be very useful when part of the printed image is cut off. Increasing this dimension may allow some of the missing text to be correctly printed. Make sure you do not increase the X dimension beyond the actual size of the paper you are using for printing.



NOTE

This item is displayed only when CUSTOM SIZE is set to SET.

Y DIMENSION

127.0 to 355.6 mm; 355.6 mm*(5.00 to 14.00 inches; 14.00 inches*)

Enables you to specify the Y dimension of the custom paper. The Y dimension can be adjusted between 127.0 mm (5.00") and 355.6 mm (14.00") in increments of 0.1 mm (0.01").

This function can be very useful when part of the printed image is cut off. Increasing this dimension may allow some of the missing text to be correctly printed. Make sure you do not increase the Y dimension beyond the actual size of the paper you are using for printing.



NOTE

This item is displayed only when CUSTOM SIZE is set to SET.

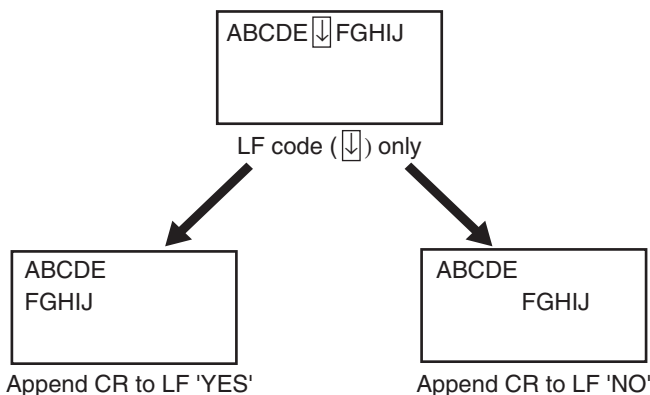
APPEND CR TO LF

NO*, YES

Enables you to specify whether to append a carriage return (CR) when line feed code (LF) is received.

If YES is selected, the print head moves to the beginning of the next line when line feed code is received.

If NO is selected, the print head moves down to the next line when line feed code is received, and the margin does not change (such as to the beginning of the next line).



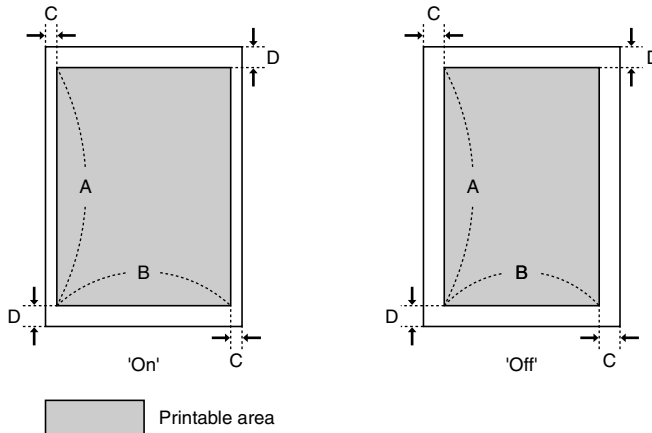
ENLRG A4 WIDTH

OFF*, ON

Determines whether to expand the printable area of A4 size paper to that of Letter size in width.

If ON is selected, all the area on a page 4.23 mm (1/6") from the top and bottom edges and 3.39 mm (1/8") from the left and right edges is available for printing on A4 paper. Only the width increases.

If OFF is selected, all the area on a page 4.23 mm (1/6") from the top, bottom, left, and right edges is available for printing on A4 paper.



Settings	ON	OFF
A: Length	288.54 mm (11 1/3")	
B: Width	203.22 mm (8")	201.54 mm (7 7/8")
C: Left and right edges	3.39 mm (1/8")	4.23 mm (1/6")
D: Top and bottom edges	4.23 mm (1/6")	



NOTE

- This setting is applicable for A4 paper only.
- This setting is applicable for portrait orientation only.

UFR II SETUP Options

PAPER SAVE

ON*, OFF

Specifies whether the printer outputs the blank page that can be created due to no data existing in the page data sent from an application.

If ON is specified, the printer does not output the blank page. If OFF is specified, the printer outputs the blank page.

If you use this function, you can save paper because the blank pages are not output.

IMAGING SETUP Options

ORIENTATION

AUTO*, VERTICAL, HORIZONTAL

Specifies whether the printer should print an image in portrait (vertical) orientation or in landscape (horizontal) orientation.

If AUTO is specified, the printer compares the width and height of the image in TIFF format or JPEG format. If the width is larger, the image is printed in landscape orientation. If the height is larger, the image is printed in portrait orientation.

If VERTICAL is specified, the image is printed in portrait orientation regardless of the ratio of width to height of the image.

If HORIZONTAL is specified, the image is printed in landscape orientation regardless of the ratio of width to height of the image.

ZOOM

OFF*, AUTO

Specifies whether the printer should print with scaling outputs according to the printable area.

If AUTO is specified, the printer prints the image with its size reduced to fit within the printable area when the image size is larger than the printable area. Also, when the image size is smaller than the printable area, the printer prints the image with its size expanded to the margins of the printable area.

IMPORTANT

- Even if OFF is specified, the printer automatically reduces the image size to make it fit within the printable area of the paper size when the image size is larger than the output size.
- If AUTO is specified, printing positions specified by tags in TIFF data are ignored.

NOTE

This item scales an image size with the ratio of height to width fixed.

PRINT POSITION

AUTO*, CENTER, TOP LEFT

Specifies the printing position for an image.

If AUTO is specified, and if the data to be printed is in TIFF format in which the printing position is specified, the image is printed on the specified position. If a printing position is not specified, the image is printed in the center of the paper.

If CENTER is specified, the image is printed in the center of the paper even if the data to be printed is in TIFF format in which the printing position is specified.

If TOP LEFT is specified, the image is printed on the upper-left of the paper even if the data to be printed is in TIFF format in which the printing position is specified.

IMPORTANT

You cannot specify a printing position for data in JPEG format. If AUTO is specified, the image is printed in the center of the paper.

SHOW WARNINGS

PRINT*, PANEL, OFF

Specifies the display setting for the error message in case of an error occurring.

If PRINT is specified, the printer prints the content of the error and exits the job.

If PANEL is specified, the error message appears in the display, and the printer stops printing.

If OFF is specified, the printer exits the job without displaying anything even if an error occurs.

NOTE

The error messages of which the display settings can be changed with this item are <D9 IMG.DATA ERR> and <D9 IMG.REFER.ERR>.

ENLRG PRT AREA

OFF*, ON

Specifies whether the printer should print a document with its printable area expanded.

If ON is specified, the margins of 0 mm are applied to all sides of the paper, making the printable area expanded to the edges of the paper.

If OFF is specified, data cannot be printed within 5 mm margins on all sides of the paper.



IMPORTANT

If ON is specified, the edges of the printout may be partly missing.

UTILITY Menu Settings

NOTE

For the output samples of CONFIG.PAGE, NW STATUS PRINT, and PRNTPOSNPRINT, see "The Lists Common to All the Settings in the Print Mode," on p. 10-2. For the output sample of the PCL fonts list, see "The Lists Common to Certain Settings in the Print Mode," on p. 10-5.

CONFIG.PAGE

-

Prints the capacity of the built-in memory (RAM) or the contents specified in the SETUP menu. You can select this item regardless of the setting for the print mode.

NOTE

CONFIG.PAGE is designed to be printed on A4 size paper. Load a sheet of A4 size paper in the paper cassette or multi-purpose tray.

PCL UTILITY

FONTS LIST

Prints internal information of the printer in the PCL mode.

FONTS LIST

A list of the fonts that can be used in the PCL mode is printed.

CLEANING

A4, LTR

The printer cleans the fixing roller by printing a cleaning page.

You can select paper of "A4" size or "LTR" size for printing a cleaning page.

If CLEANING is executed, <CLEANING PAPER> is displayed. Load a sheet of A4/Letter size paper in the multi-purpose tray, then press the ●→ (Online) key.

A cleaning paper is printed. Load the cleaning paper with the printed side facing up in the multi-purpose tray, then press the ●→ (Online) key. The loaded cleaning paper is fed, cleaning inside fixing roller.

 **NOTE**

For details on cleaning the fixing roller see "Cleaning the Fixing Roller," on p. 7-19.

NW STATUS PRINT

-

Prints the version number and the settings of the print server equipped with this printer.

PRNTPOSNPRINT

-

The printing position adjusted in ADJ.START POS. (See p. 6-37) is printed. Check the printout results to confirm the setting for ADJ.START POS.

 **NOTE**

For adjusting the printing position, see "Adjusting the Printing Position," on p. 7-22.

DEVICE LOG LIST

-

Prints logs for error messages or service calls. Also, if a paper jam occurs, its occurrence time is printed.

JOB Menu Settings

JOB LOG LIST

-

Prints the job logs printed from the computer.

File names and print dates are printed on the job log list.



NOTE

- If the printer has no job log, nothing is printed.
- Up to 48 job logs are printed on the job log list.
- This item is displayed only when it is specified, in the [Job Log Display] page in the Remote UI, so that job logs are to be displayed.

REPORTLOG LST

-

Prints the job logs of the printed CONFIG.PAGE or NW STATUS PRINT.

Print dates, etc are printed on the report log list.



NOTE

- If the printer has no job log, nothing is printed.
- Up to 16 job logs are printed on the report log list.
- This item is displayed only when it is specified, in the [Job Log Display] page in the Remote UI, so that job logs are to be displayed.

RESET Menu Settings

SOFT RESET/HARD RESET

-

Resets the printer when a problem has occurred or you want to cancel printing.

If you perform a soft reset, the printer stops the current process and deletes the jobs in the printer memory, received print data, and the job being processed. If you perform a hard reset, the printer cancels all the process and deletes the jobs.

To perform a soft reset, select SOFT RESET in the RESET menu, and then press [OK].

To perform a hard reset, select SOFT RESET in the RESET menu, hold down [OK] for 3 seconds or more to display HARD RESET, and then release the button.



IMPORTANT

- Be sure to cancel printing from the computer before performing a soft reset.
- When the soft reset or hard reset is performed, the data being printed and the data being received by all the interfaces is deleted. Therefore, perform printing from the computer again as needed.
- If you perform a soft reset or hard reset, the data that has been already sent to the memory are all deleted even if it is the data of other interface. If you are using the printer on a network, be careful so that this operation does not affect the data from other computers when resetting the printer.
- If you perform a hard reset while the printer is receiving data, the data that has not yet been sent to the memory will be sent after the reset. However, the data may not be printed properly.

FORM FEED

-

When a job is canceled from the computer or the data is less than one page, the data may remain in the printer memory, and the job may not be completed properly. As long as the printer remains in this status, you cannot print the next job because the printer cannot receive the next data. In this case, force the printer to output the print data using the procedure for this item.



IMPORTANT


- Print data from PCL/UFR II Printer Driver cannot be output.
- If you have output data, the data being printed is deleted. Print the data from the computer again.

 **NOTE**

- The ↔ (Job) indicator is on when any print data remains in the printer memory or when no print data remains in the printer but a job has not yet been completed.
- If MODE TIMEOUT for a job is specified, data less than one page is also output automatically when the specified time has elapsed (Data from PCL/UFR II Printer Driver is not output.). MODE TIMEOUT for a job is set to 15 seconds in the default settings.
- If the ↔ (Job) indicator does not go off even after outputting the data, perform a soft reset. (See the previous item)

SHUT DOWN

It is recommended that you shut down the printer using the following procedure when you want to turn the printer OFF.

1. Press the  (Reset) key.
 2. Display SHUT DOWN in the RESET menu, then press [OK].
 3. <OK?> is displayed. Press [OK].
 4. When the message <TURN OFF POWER> appears, press "O" of the power switch.
- After executing a shutdown, the printer cannot receive data, and panel operation is disabled. Cycle the power of the printer if you want to print the data again.

 **NOTE**


If you are using WSD, the shutdown notifies the computer that the printer is turned OFF.

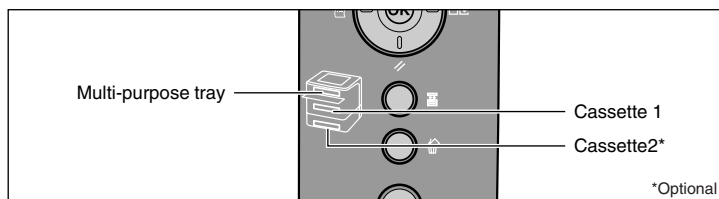
SELECT FEEDER Menu Settings

PAPER SOURCE

AUTO*, CASSETTE 1, CASSETTE 2*¹, TRAY

*¹ CASSETTE 2 is displayed only when the optional paper feeder is installed.


Selects the paper cassette or multi-purpose tray from which the printer feed paper. After a paper source is selected, the corresponding  (Paper Source) indicator comes on.



IMPORTANT

When any paper is in the multi-purpose tray, you cannot feed paper from the paper cassette. If you are printing from the paper cassette, remove any paper loaded in the multi-purpose tray.

NOTE

- The installed paper cassettes and multi-purpose tray usually become the target paper source when the printer feeds paper automatically. However, you can except them from the target paper source.
- If paper of the same size is loaded in 2 or more paper sources when the paper source setting is specified to be selected automatically, paper is fed from the upper paper source regardless of the status of the  (Paper Source) indicators. When the paper source runs out of paper, the paper source switches to other one in which paper of the same size is loaded.
- If INVLDPAPER TRAY (See p. 6-18) is set to ON, the setting for this item is ignored, and the printer feeds paper from the multi-purpose tray when paper that is the same size as the paper size of the received data is not loaded in the selected paper source.
- When feeding paper from the multi-purpose tray, you need to specify the size of the loaded paper previously. The default value is "A4".

TRAY PAPER SIZE

A4*, LTR, LGL, EXEC, MIXED SIZES, CUSTOM SIZE, CUSTOM SIZE R, ENV. ISO-C5, ENV. COM10, ENV. MONARCH, ENV. DL, ENV. ISO-B5, INDEX CARD, STMT, 16K, A5, B5

Specifies the size of the paper loaded in the multi-purpose tray.

You can obtain the same result by specifying the setting for TRAY PAPER SIZE in the FEEDER MENU options in the SETUP menu. For more details, see "TRAY PAPER SIZE," on p. 6-14.

CASSETTE1 SIZE

A4*, LTR, LGL, EXEC, MIXED SIZES, CUSTOM SIZE, CUSTOM SIZE R, A5, B5

Specifies the size of the paper loaded in the paper cassette in the printer unit (Cassette 1).

You can specify the same setting in CASSETTE1 SIZE in the FEEDER MENU options in the SETUP menu. For more details, see "CASSETTE1 SIZE," on p. 6-15.

CASSETTE2 SIZE

A4*, LTR, LGL, EXEC, MIXED SIZES, CUSTOM SIZE, CUSTOM SIZE R, A5, B5

Specifies the size of the paper loaded in the paper cassette of the paper feeder (Cassette 2).

You can specify the same setting in CASSETTE2 SIZE in the FEEDER MENU options in the SETUP menu. For more details, see "CASSETTE2 SIZE," on p. 6-16.



NOTE

This item is displayed only when the optional paper feeder is installed.

2-SIDED PRINT.

OFF*, ON

Specifies whether the printer should print on one side or both sides of the paper.

You can specify the same setting in 2-SIDED PRINT. in the FEEDER MENU options in the SETUP menu. For more details, see "2-SIDED PRINT.," on p. 6-19.

Routine Maintenance

7

CHAPTER

This chapter describes the procedures for maintaining the printer such as replacing the cartridges and cleaning the printer.

Replacing the Toner Cartridge	7-2
Precautions on Replacing the Toner Cartridge	7-2
Before Replacing the Toner Cartridge	7-3
Replacing the Toner Cartridge	7-8
Precautions for Handling Toner Cartridges	7-14
Storing Toner Cartridges	7-16
Adjusting the Print Density	7-18
Cleaning the Fixing Roller	7-19
Adjusting the Printing Position	7-22
Checking the Printing Position	7-22
Adjusting the Printing Position	7-24
Cleaning the Outside of the Printer	7-28
Moving the Printer	7-31
Handling the Printer	7-37

Replacing the Toner Cartridge

This section describes how to replace or handle the toner cartridges and precautions on storing them.

Contact the store where you purchased the printer to obtain replacement toner cartridges.



IMPORTANT

No message appears in the display even if the toner cartridge is nearing the end of its life. The case where white streaks appear on printed paper in longitudinal direction, or printed paper comes out faint or uneven can be used to estimate when the toner cartridge will need to be replaced. When you are replacing the toner cartridge, be sure to use a toner cartridge designed for this printer.



NOTE

- Two types of toner cartridge that have different lifetime (Canon Genuine Cartridges) are available for this printer.
- The lifetime of the toner cartridges (Canon Genuine Cartridges) designed for this printer is approximately 3,000 pages or 7,000 pages. The page counts are on the basis of "ISO/IEC 19752"* when printing A4 size paper with the default print density setting. The level of toner consumption varies depending on the type of documents printed. If your average document contains a lot of diagrams, charts, or graphs, the life of the toner cartridge will be shorter as they consume more toner.
 - * "ISO/IEC 19752" is the global standard related to "Method for the determination of toner cartridge yield for monochromatic electrophotographic printers and multi-function devices that may contain printer components" issued by ISO (International Organization for Standardization).
- This section describes the procedure, taking the toner cartridge with its lifetime of approximately 3,000 pages (Canon Genuine Cartridges) as an example.

Precautions on Replacing the Toner Cartridge



WARNING

Do not throw a used toner cartridge into open flames, as this may cause the toner remaining inside the cartridge to ignite, resulting in burns or a fire.



CAUTION

Take care not to allow the toner to come into contact with your hands or clothing, as this will dirty your hands or clothing. If they become dirty, wash them immediately with cold water. Washing with warm water will set the toner and make it impossible to remove the toner stains.



IMPORTANT

- Dispose of the packing materials according to local regulations.
- Be sure to use only the toner cartridges designed for this printer.



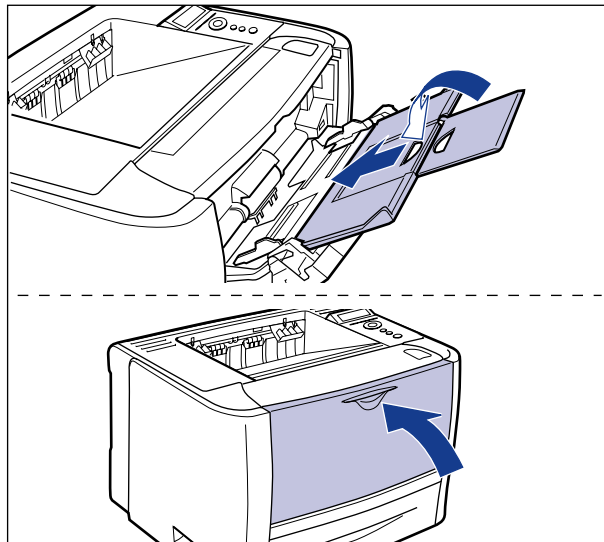
NOTE

- For details on handling toner cartridges, see "Precautions for Handling Toner Cartridges," on p. 7-14.
- The packing materials may be changed in form or position to be placed, or may be added or removed without notice.

Before Replacing the Toner Cartridge

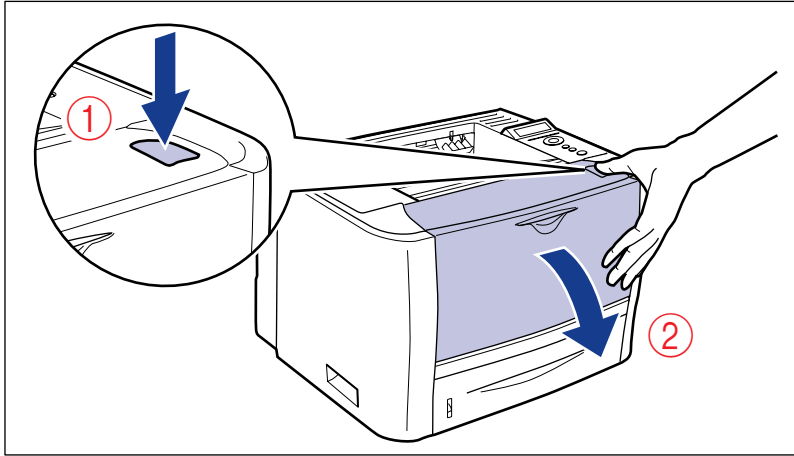
Toner cartridges are consumable products. When there is not enough toner, this may cause the case where white streaks appear on the printed paper in longitudinal direction, or the printed paper comes out faint or uneven. If this type of symptom may occur, perform the following procedure before replacing the toner cartridge. You may be able to print for a while until the toner is used up completely.

- 1** If you are using the multi-purpose tray, close it.

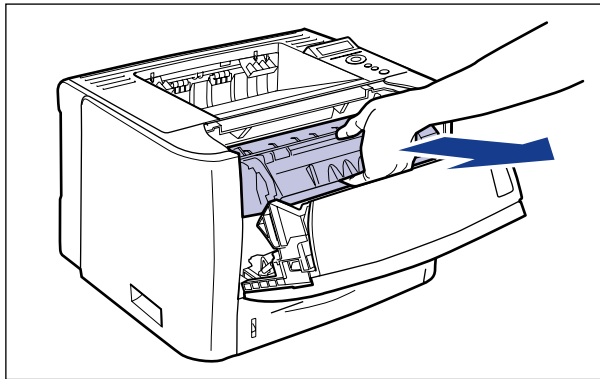


2 Open the front cover.

While pressing the open button on the top of the front cover ①, open it gently ②.

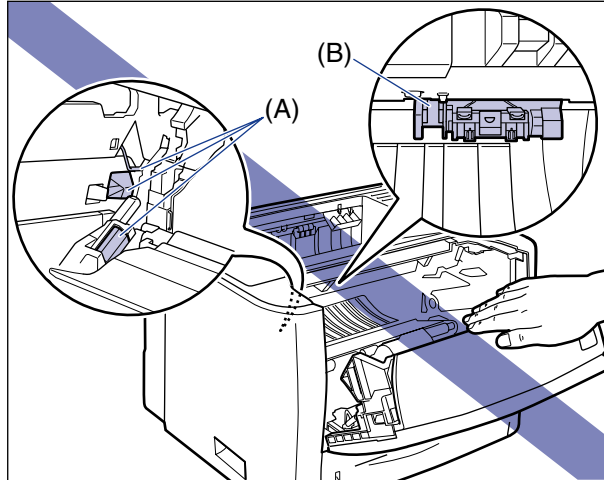


3 Remove the toner cartridge from the printer.



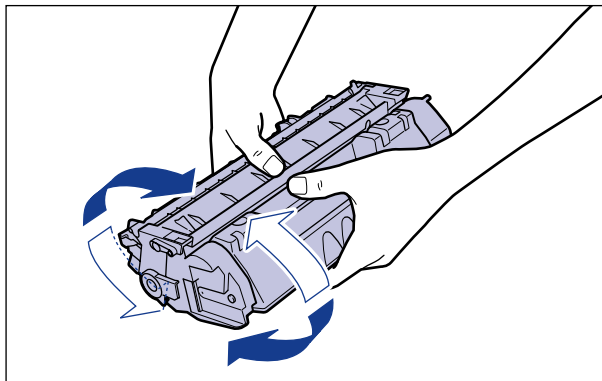
 **IMPORTANT**

Do not touch the high-voltage contact (A) or the electrical contacts (B) shown in the figure, as this may result in damage to the printer.



4 Hold the toner cartridge as shown in the figure and shake it gently 5 or 6 times to evenly distribute the toner inside the cartridge.

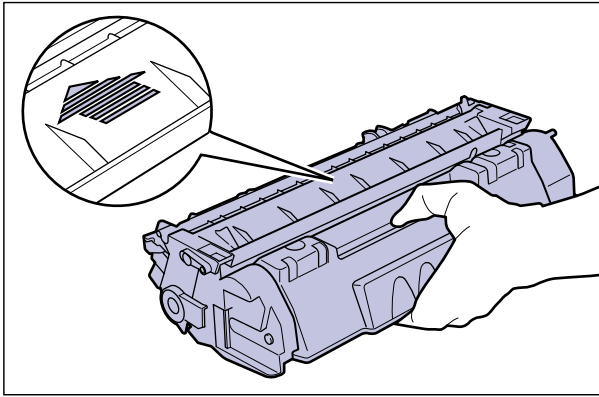
Be careful not to spill the toner.



 **IMPORTANT**

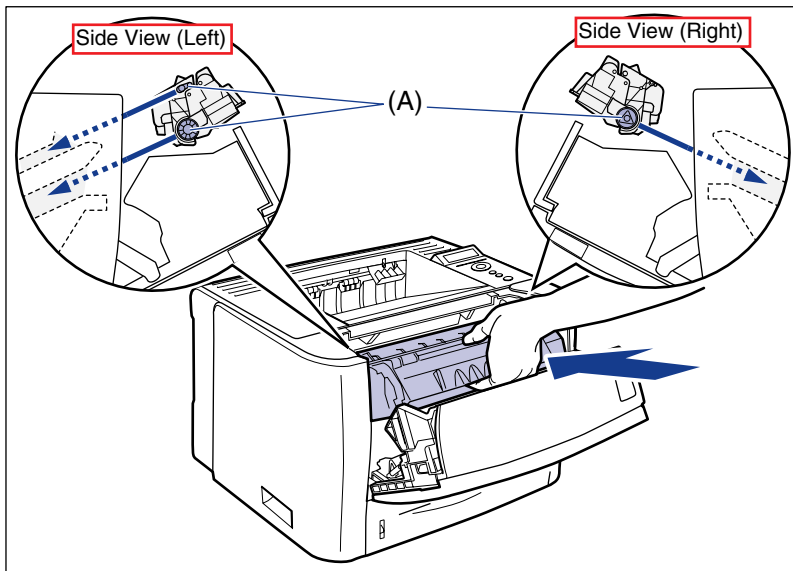
- If toner is not distributed evenly, this may result in deterioration in print quality.
- Be sure to shake the toner cartridge gently. If you do not shake the cartridge gently, toner may spill out.

- 5** Hold the toner cartridge properly with the arrowed side facing up as shown in the figure.



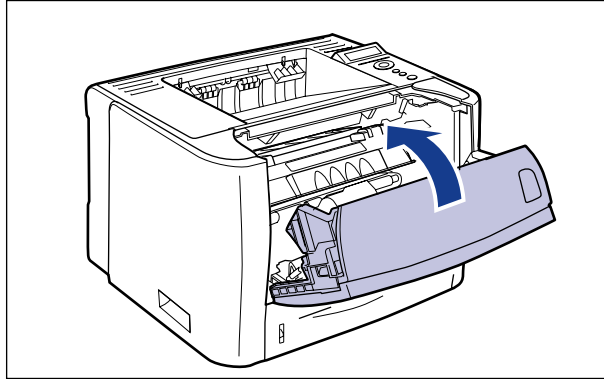
- 6** Install the toner cartridge.

Push the toner cartridge into the printer firmly until it touches the back of the printer while aligning (A) on both sides of the toner cartridge with the toner cartridge guides inside the printer.



7 Close the front cover.

Close the front cover gently and firmly.



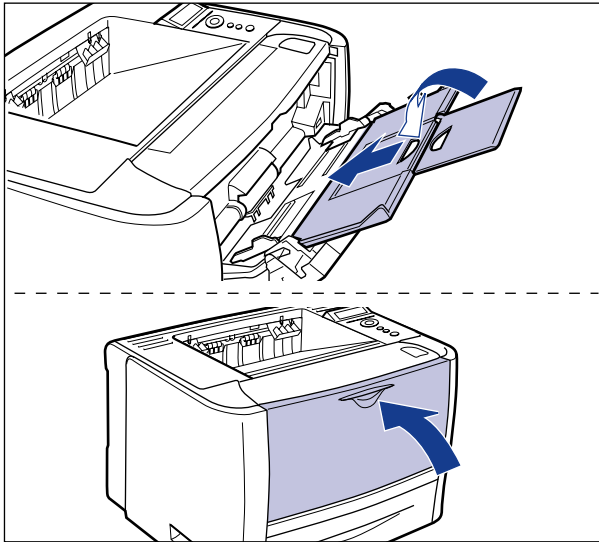
IMPORTANT

- If you cannot close the front cover, make sure that the toner cartridge is installed properly. If you try to close the front cover forcefully, this may result in damage to the printer or toner cartridge.
- Do not leave the front cover open for a long time after installing the toner cartridge. This may result in deterioration in print quality.

If the print is too thin even after performing the operation above, replace the toner cartridge with a new one.

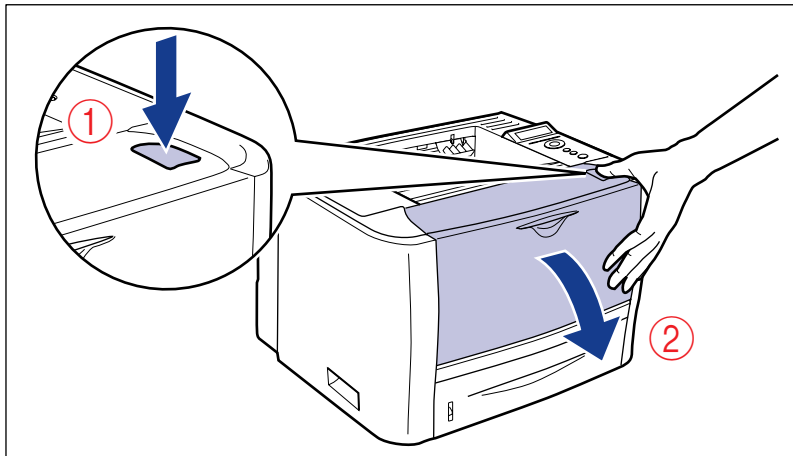
Replacing the Toner Cartridge

- 1** If you are using the multi-purpose tray, close it.

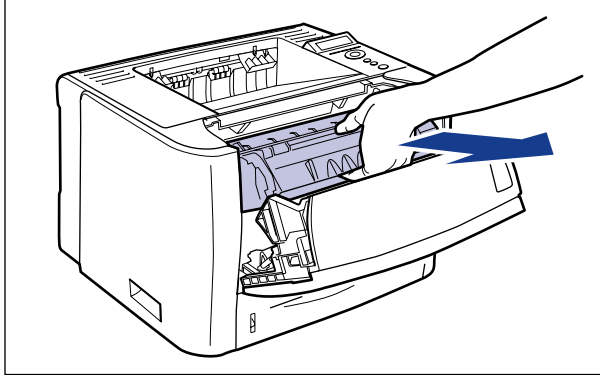


- 2** Open the front cover.

While pressing the open button on the top of the front cover ①, open it gently ②.

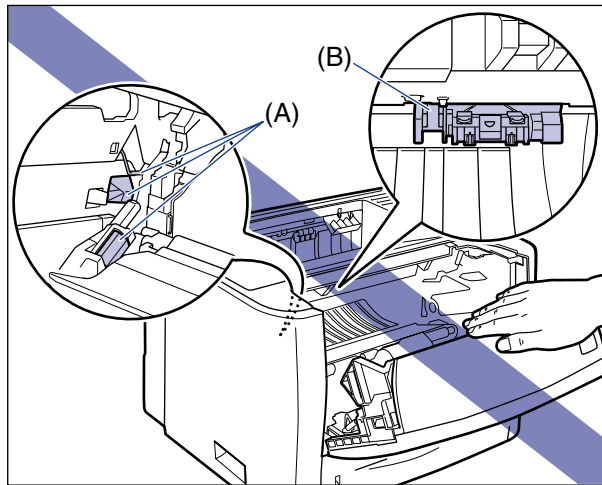


3 Remove the toner cartridge from the printer.



IMPORTANT

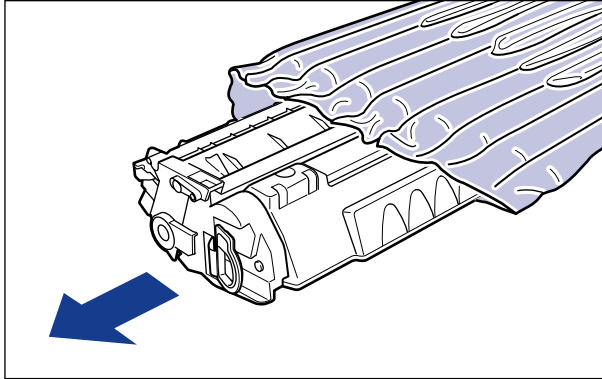
Be sure not to touch the high-voltage contacts (A) or electrical contact (B) shown in the figure, as this may result in damage to the printer.



4 Take the new toner cartridge out of the box.

5 Take the toner cartridge out of the protective bag.

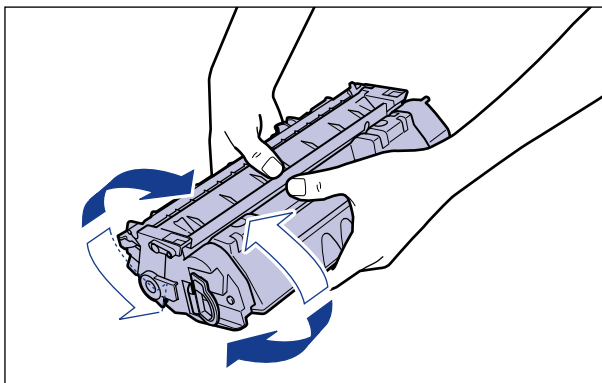
There is a cut near the arrow on the protective bag, so you can open it by hand. However, if you cannot open it by hand, use scissors to open the protective bag so as not to damage the toner cartridge.



IMPORTANT

Keep the protective bag for the toner cartridge. It may be required after taking out the toner cartridge for printer maintenance.

6 Hold the toner cartridge as shown in the figure, and shake it gently 5 or 6 times to evenly distribute the toner inside the cartridge.



IMPORTANT

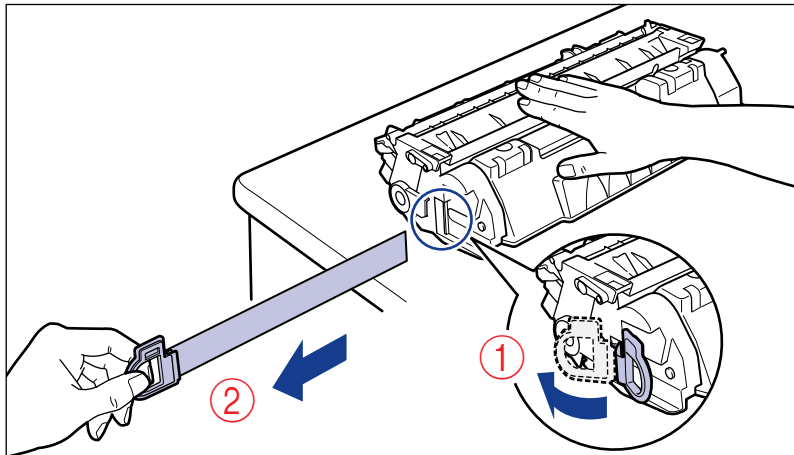
- If toner is not distributed evenly, this may result in deterioration in print quality. Be sure to carry out this procedure properly.
- Be sure to shake the toner cartridge gently. If you do not shake the cartridge gently, toner may spill out.

7 Place the toner cartridge on a flat surface.

8 Pull out the sealing tape.

While holding the toner cartridge steady ①, hook your fingers into the tab and fold it back.

Pull out the sealing tape (approx. 45 cm long) straight in the direction of the arrow gently ②.



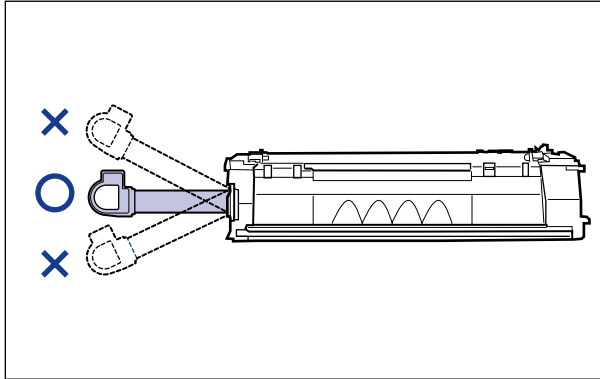
CAUTION

If the sealing tape is pulled out forcefully or stopped at midpoint, toner may spill out. If the toner gets into your eyes or mouth, wash them immediately with cold water and immediately consult a physician.

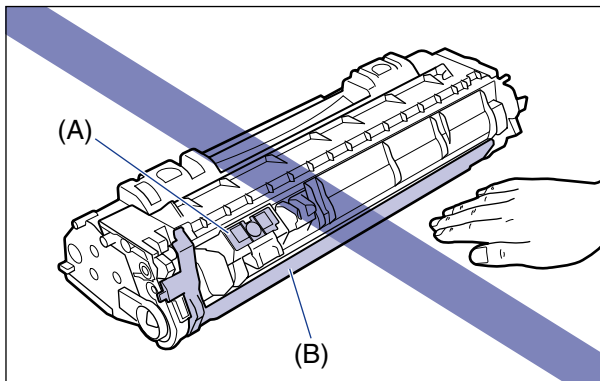


IMPORTANT

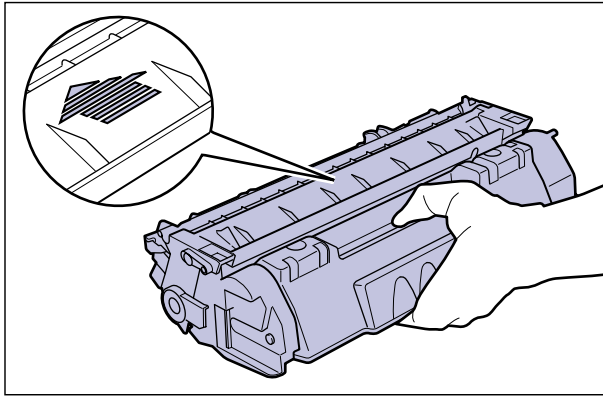
- Do not pull the sealing tape diagonally, upwards, or downwards. If the tape is severed, it may become difficult to pull out completely.



- Pull out the sealing tape completely from the toner cartridge. If any tape remains in the toner cartridge, this may result in poor print quality.
- When pulling out the sealing tape, be careful not to touch the toner cartridge memory (A) or hold the drum protective shutter (B) with your hands.

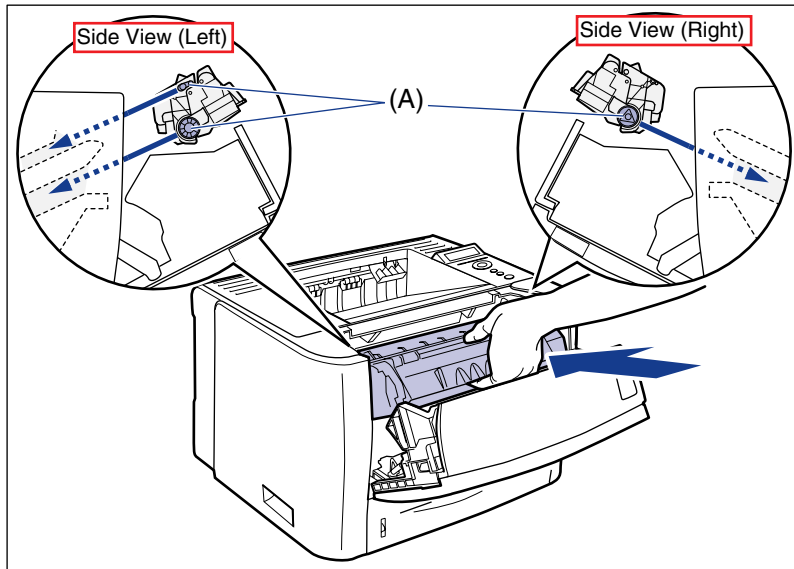


- 9** Hold the toner cartridge properly with the arrowed side facing up as shown in the figure.



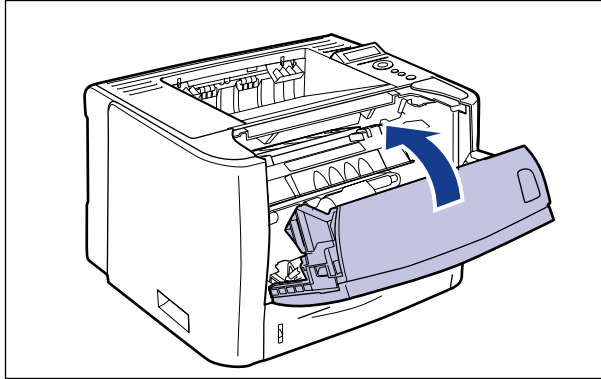
- 10** Install the toner cartridge.

Push the toner cartridge into the printer firmly until it touches the back of the printer while aligning (A) on both sides of the toner cartridge with the toner cartridge guides inside the printer.



11 Close the front cover.

Close the front cover gently and firmly.



IMPORTANT

- If you cannot close the front cover, make sure that the toner cartridge is installed properly. If you try to close the front cover forcefully, this may result in damage to the printer or toner cartridge.
- Do not leave the front cover open for a long time after installing the toner cartridge. This may result in deterioration in print quality.

Precautions for Handling Toner Cartridges

A toner cartridge consists of light-sensitive components and intricate mechanical components. Handling the toner cartridge without due care may lead to damage to the toner cartridge or deterioration in print quality. Be careful of the following points when removing or installing the toner cartridge.

WARNING

Do not throw a used toner cartridge into open flames, as this may cause the toner remaining inside the cartridge to ignite, resulting in burns or a fire.

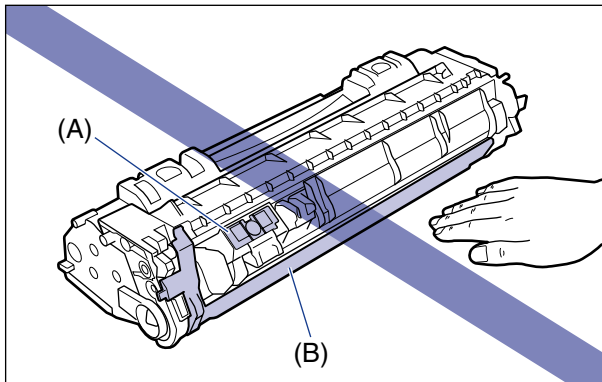
CAUTION

Take care not to allow the toner to come into contact with your hands or clothing, as this will dirty your hands or clothing. If they become dirty, wash them immediately with cold water. Washing with warm water will set the toner and make it impossible to remove the toner stains.

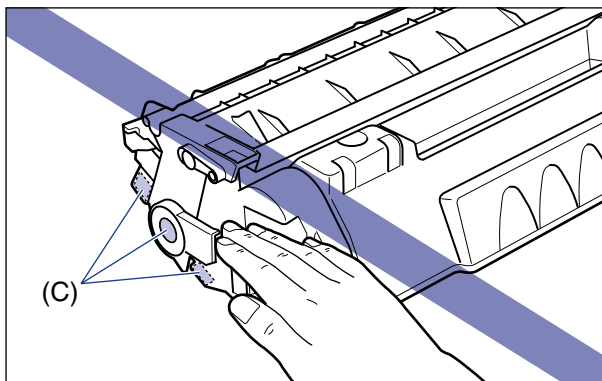
IMPORTANT

- When you take the toner cartridge out of the printer for servicing the printer, place the toner cartridge into the original protective bag, or wrap it with a thick cloth immediately.
- Do not expose the toner cartridge to direct sunlight or strong light.

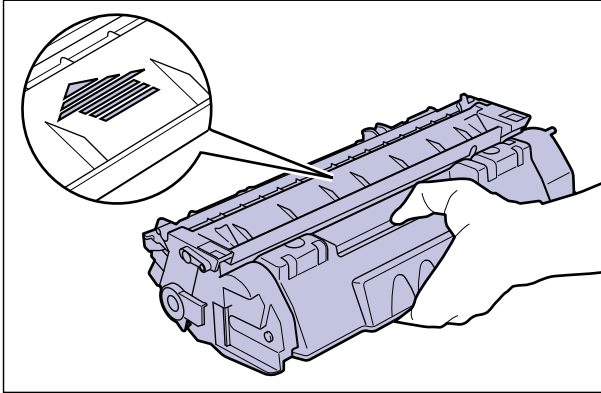
- Do not jolt the toner cartridge memory (A) or bring it near a magnetic field. This may result in damage to the cartridge. Print quality may deteriorate if you touch or damage the photosensitive drum inside the toner cartridge. Be sure not to touch or open the drum protective shutter (B).



- Be careful not to hold or touch areas that are not specified in this procedure, such as the electrical contacts (C). This may result in damage to the cartridge.



- When handling a toner cartridge, hold it properly as shown in the figure and handle it with the arrowed side facing up. Do not place it vertically or upside-down.



- Do not attempt to disassemble or modify the toner cartridge.
- Condensation may form in and on a toner cartridge if it is brought into an environment that exposes it to sudden changes in temperature and/or humidity. If you move the toner cartridge to a location that is warmer or has higher humidity, leave the cartridge in the new location for 2 hours or longer without opening the protective bag to allow it to adjust to the new temperature.
- Be sure to use a new toner cartridge before the expiration date indicated on the package.
- Keep the toner cartridge away from products that generate magnetic waves, such as a display or computer.
- A toner cartridge is a magnetic product. Keep the toner cartridge away from products that may be damaged by magnetic waves, such as a floppy disk or disk drive. This may lead to damage to data.

Storing Toner Cartridges

Be careful of the following points when storing a new toner cartridge or handling a toner cartridge that has been taken out of the printer for maintenance or moving the printer.



IMPORTANT

- Do not take a new toner cartridge out of the protective bag until it is ready to be used.
- When you take the toner cartridge out of the printer for servicing the printer or other purposes, place the toner cartridge into the original protective bag, or wrap it with a thick cloth immediately.
- Do not place it vertically or upside-down. Store the toner cartridge in the same orientation as when installed in the printer.
- Do not store the toner cartridge in a place exposed to direct sunlight.

- Do not store cartridges in a hot or humid place, or a place where the temperature and humidity can change significantly.
 - Storing environment temperature: 0 to 35°C (32 to 95°F)
 - Storing humidity range: 35 to 85% RH (no condensation)
- Do not store the toner cartridge in a place where corrosive gases, such as ammonia, are generated, or where a considerable amount of salt is contained in the air, or where there is a lot of dust.
- Keep the toner cartridge out of the reach of small children.
- Keep the toner cartridge away from products that may be damaged by magnetic waves, such as a floppy disk or disk drive.

■ **Condensation**

Even within the storable humidity range, water droplets may develop both inside and outside of the toner cartridge due to the difference in temperature. The development of water droplets is called condensation. Condensation will adversely affect the quality of the toner cartridge.

Adjusting the Print Density

Adjust the print density using the following procedure when the printout result is too dense or too light in color. The toner density is set to the standard density (4) before shipment. You can adjust the toner density between 1 and 16.



1 Press the  (Settings) key.

SETUP

CONTROL MENU →



2 Select QUALITY MENU using [◀] and [▶], then press [OK].

QUALITY MENU →

IMGE REFINEMENT →



The item for QUALITY MENU is displayed.

3 Select DENSITY using [◀] and [▶], then press [OK].

DENSITY →

=4 →



The setting value for DENSITY is displayed.

4 Specify the target numeric value using [◀] and [▶], then press [OK].

Pressing [◀] decreases the value, and the print density becomes lighter.
Pressing [▶] increases the value, and the print density becomes denser.

6 →

=6 →



"=" is displayed on the left of the value, and the density is specified.

Cleaning the Fixing Roller


When the front or back of the printed paper has smudge marks, clean the fixing roller using the following procedure. Print quality deterioration can be prevented by cleaning the fixing roller.

IMPORTANT

- The cleaning paper cannot be printed on any paper other than A4/Letter. Be sure to use A4/Letter size paper.
- To print a cleaning paper, load a sheet of A4/Letter size paper in the multi-purpose tray.



1 Make sure that the printer is online.

If the printer is not online, press the  (Online) key.



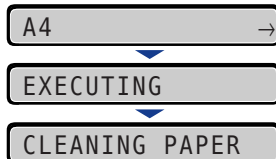
2 Press the (Utility) key.



3 Select **CLEANING** using [◀] and [▶], then press [OK].



4 Select the size of the cleaning paper using [◀] and [▶], then press [OK].



<CLEANING PAPER> appears in the display, and the printer waits to print the cleaning paper.



- 5** Load a sheet of A4/Letter size paper in the multi-purpose tray, then press the **↔** (Online) key.

CLEANING PAPER

01 CLEANING

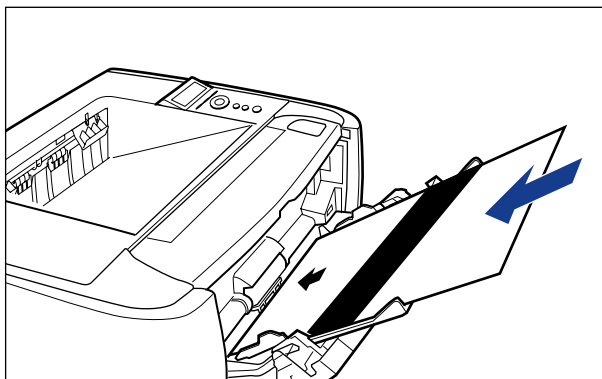
CLEANING

The cleaning paper is printed.

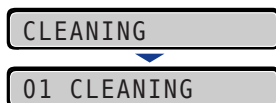


- 6** If any paper is loaded in the multi-purpose tray, remove it.

- 7** Load the cleaning page with the printed side facing up and the arrow mark going into the multi-purpose tray first.



- 8** Press the  (Online) key.



The paper is fed into the printer slowly, and the printer starts cleaning the fixing roller.

 **NOTE**

- Cleaning takes approximately 80 seconds.
- The cleaning process cannot be canceled. Please wait until it is completed.
- When the front or back of the printed paper has smudge marks even after performing the procedure above, perform the cleaning again. When doing so, do not use the cleaning paper output in Step 5 above but load A4/Letter size blank paper in the multi-purpose tray, and then perform the cleaning.

Adjusting the Printing Position

If the printing position is skewed when printing from a certain paper source, you can adjust the position from the control panel.

IMPORTANT

If any part of the print image lies outside the printable area after adjusting the printing position, the part will be missing in the print result.

NOTE

Be aware that, when adjusting the printing position for 2-sided printing, the orientation of the images on the reverse pages varies depending on the printing orientation or setting for BIND.LOCATION.

Checking the Printing Position

Perform the Printing Position Adjustment Print and check the position and direction to be adjusted.

IMPORTANT

When adjusting the printing position for 2-sided printing, set 2-SIDED PRINT. (See p. 6-19) to ON previously.

7

Routine Maintenance



1 Press the  (Feeder Selection) key.

SELECT FEEDER

PAPER SOURCE →



2 Select PAPER SOURCE using [◀] and [▶], then press [OK].



PAPER SOURCE →



=AUTO →



3 Select the paper source that you want to check the printing position using [◀] and [▶], then press [OK].


When adjusting the printing position for 2-sided printing, select the desired paper source.



4 Press the (Online) key.



5 Make sure that the printer is online.

If the printer is not online, press the  (Online) key.



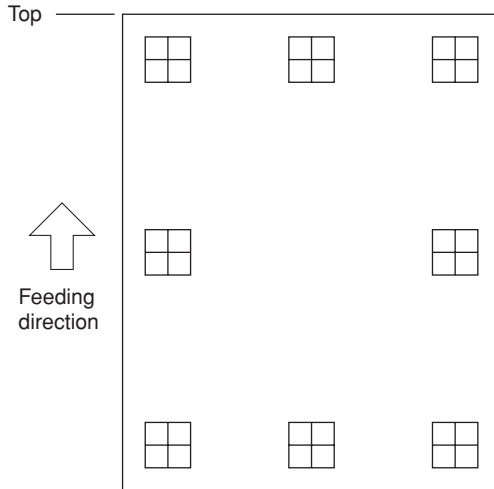
6 Press the (Utility) key.



7 Select PRNTPOSNPRINT using [◀] and [▶], then press [OK].



The Printing Position Adjustment Print is printed as shown in the following. The top of the output paper is the top of the Printing Position Adjustment Print.

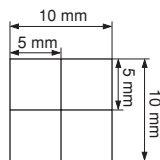


Next, check the printout results and specify the direction and position to be adjusted in "Adjusting the Printing Position" (See the next item).

7 Adjusting the Printing Position

Next, check the printout results of the Printing Position Adjustment Print and specify the direction and position to be adjusted.

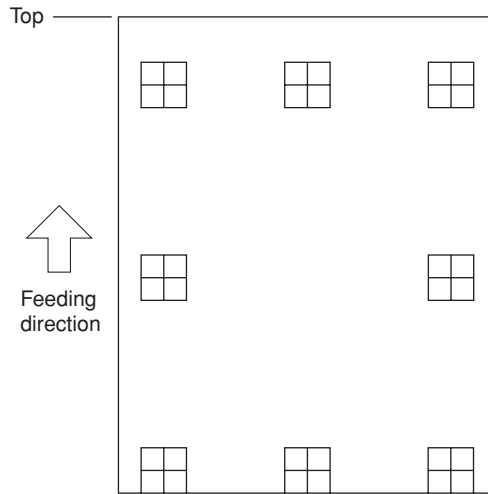
The measurements of "田" printed on paper are as the following:



* 5 mm from each edge of paper

This section describes the setting procedure for the following Printing Position Adjustment Print printed with Cassette 1 specified, as an example.

In this case, adjust the printing position by -5.0 mm upward.



IMPORTANT

OFFSET Y (DUP.) and OFFSET X (DUP.) allow you to specify the printing position of the first page of 2-sided printing. The second page of 2-sided printing follows the settings for each paper source.

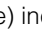


NOTE

The printing position can be adjusted within a range from + 5.0 to - 5.0 mm.

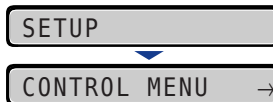


1 Press the (Online) key.

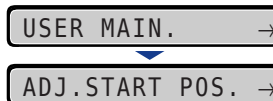
The  (Online) indicator goes off, allowing you to specify the settings on the control panel.



2 Press the (Settings) key.



3 Select USER MAIN. using [◀] and [▶], then press [OK].



The item for USER MAIN. is displayed.



4 Select **ADJ.START POS.** using [◀] and [▶], then press [OK].



The item for the printing position is displayed.



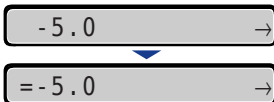
5 Select the paper source that you want to check the printing position using [◀] and [▶], then press [OK].



6 Specify the target numeric value using [◀] and [▶], then press [OK].

Check the printout results of the Printing Position Adjustment Print and select the numerical value to adjust the position.

Each time you press [▶], the value increases in + 0.1 mm increments, and each time you press [◀], the value decreases in - 0.1 mm increments. If you keep holding down [▶] or [◀], the speed of the value changing is increased.



"=" is displayed on the left of the value, and the printing position is specified.



7 Press the **→** (Online) key.





8 Press the  (Online) key to place the printer online.



9 Press the  (Utility) key.



10 Select PRNTPOSNPRINT using [◀] and [▶], then press [OK].



The printing position adjustment print in which the setting is changed is printed. Check the printout results to confirm the printing position.

To make further adjustment, repeat Step 1 to 10.

Cleaning the Outside of the Printer

Periodically clean the outer surfaces and ventilation slots of the printer to maintain the optimal printing quality. When cleaning the printer, be careful of the following points in order to prevent an electrical shock or printer malfunctions.

WARNING

- **When cleaning the printer, turn OFF the main power switch, and then unplug the power plug. Failure to observe these steps may result in a fire or electrical shock.**
- **Do not use alcohol, benzene, paint thinner, or other flammable substances. If flammable substances come into contact with electrical parts inside the printer, it may result in a fire or electrical shock.**

IMPORTANT

- Be careful not to use a cleaning agent other than water or a mild detergent diluted with water, as this may deform or crack the plastic materials in the printer.
- When using a mild detergent, be sure to dilute it with water.
- Grease or oil does not have to be applied to this printer. Be sure not to apply grease or oil.

1 Perform the following procedure.

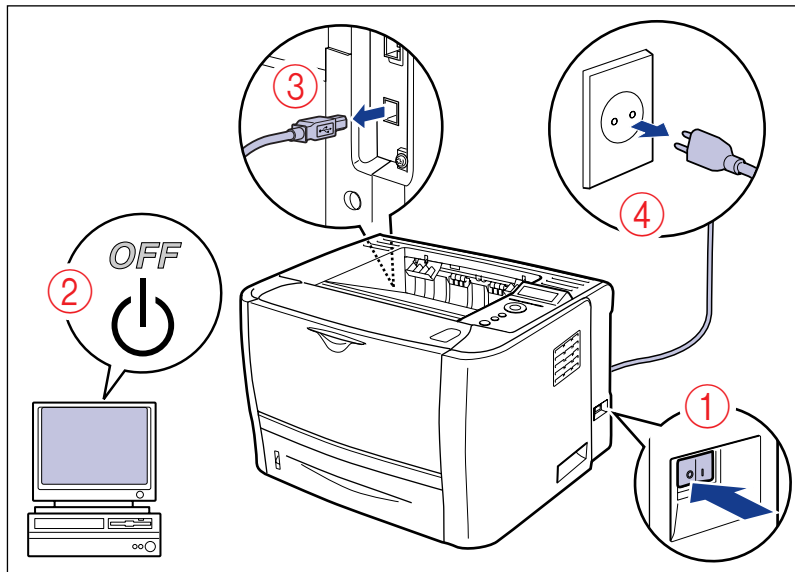
Turn the printer OFF ①.

If a USB cable is connected, turn the computer off ②, and then disconnect the USB cable ③.

Disconnect the power plug from the AC power outlet ④.

It is recommended that you shut down the printer before turning it OFF. (See "Shutting Down the Printer," on p. 3-4)

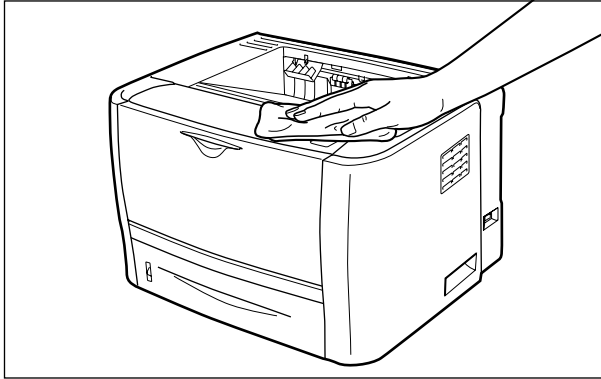
If you are using WSD, the shutdown notifies the computer that the printer is turned OFF.



2 Remove all the interface cables and the power cord from the printer.

3 Firmly wring a soft cloth dampened with water or a mild detergent diluted with water, and wipe off the dirt.

If you use a mild detergent for cleaning, be sure to wipe away the detergent with a soft cloth dampened with water.



4 After wiping off the dirt, wipe the printer with a dry cloth.

5 When the printer is completely dry, plug the power plug into the AC power outlet, and then connect the USB cable.

Moving the Printer

When changing the location of the printer or moving the printer for maintenance, be sure to perform the following procedure.



CAUTION

Do not carry the printer with the paper cassette attached. If you do so, the paper cassette may drop resulting in personal injury.



IMPORTANT

Make sure that the front cover and multi-purpose tray are closed before carrying the printer.



NOTE

For details on the installation site, see "Installation Environment," on p. 2-3.

1 Perform the following procedure.

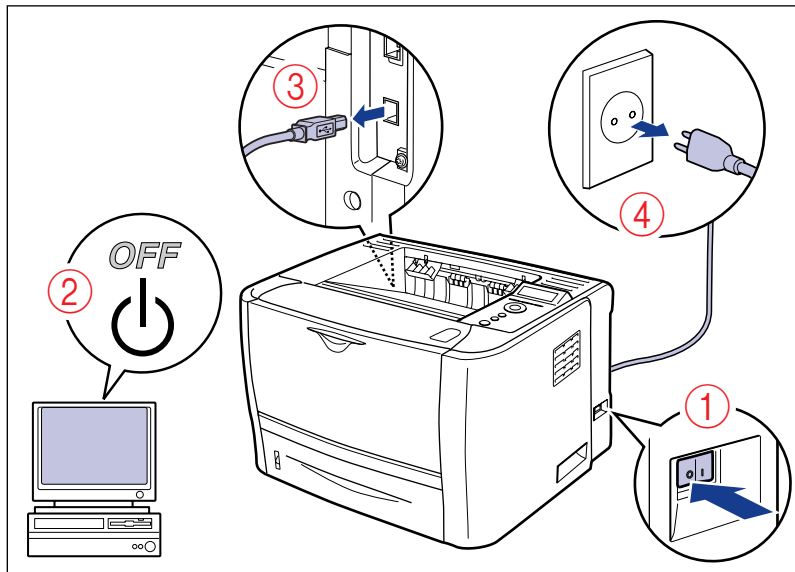
Turn the printer OFF ①.

If a USB cable is connected, turn the computer off ②, and then disconnect the USB cable ③.

Disconnect the power plug from the AC power outlet ④.

It is recommended that you shut down the printer before turning it OFF. (See "Shutting Down the Printer," on p. 3-4)

If you are using WSD, the shutdown notifies the computer that the printer is turned OFF.

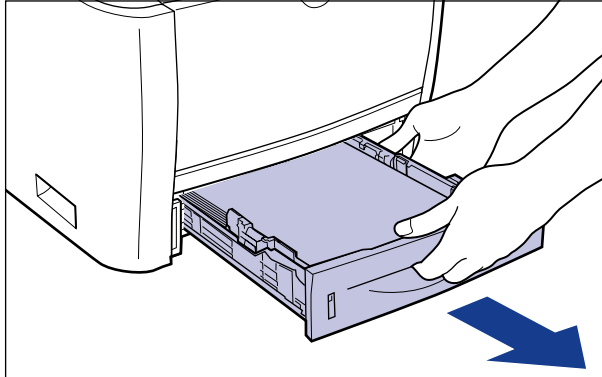


⚠ WARNING

Be sure to turn the printer and computer OFF, unplug the power plug, and then disconnect all the interface cables from the printer before moving the printer. Otherwise, the power cord or interface cables may be damaged, resulting in a fire or electrical shock.

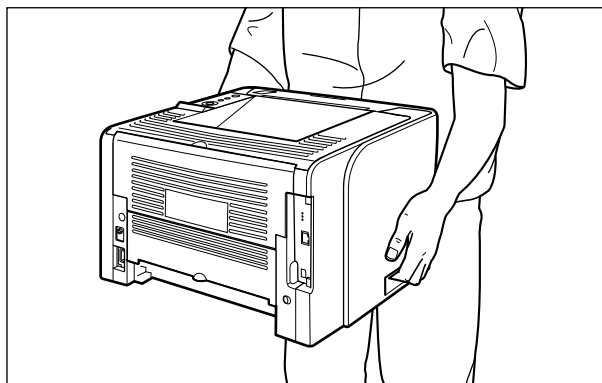
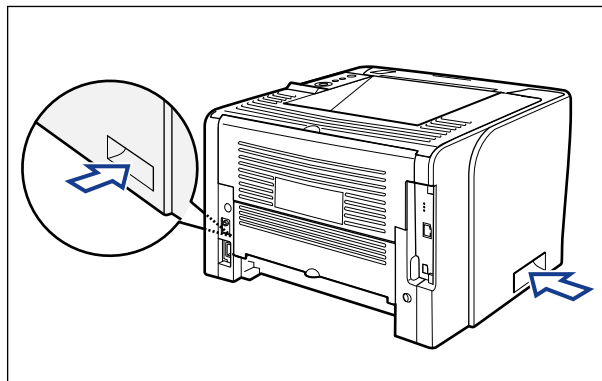
2 Remove all the interface cables and the power cord from the printer.

3 Pull out the paper cassette.



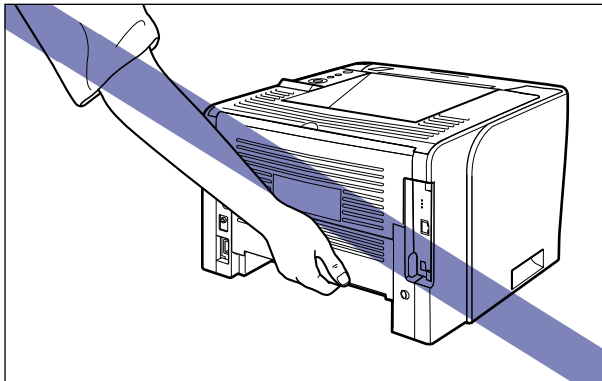
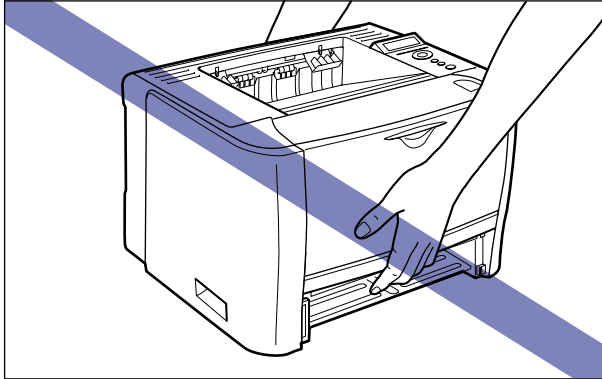
4 Move the printer unit from the installation site.

From the front side, securely hold the printer by the lift handles located on the lower portion of the printer with both hands.

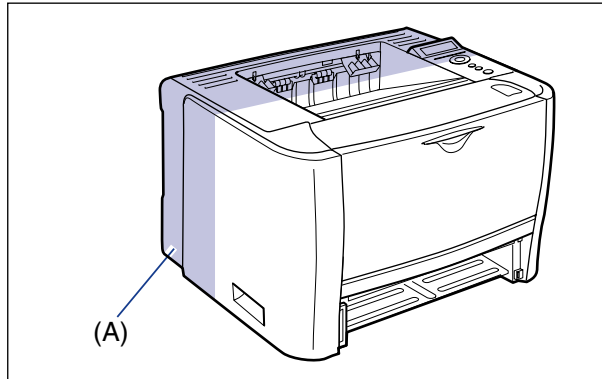


CAUTION

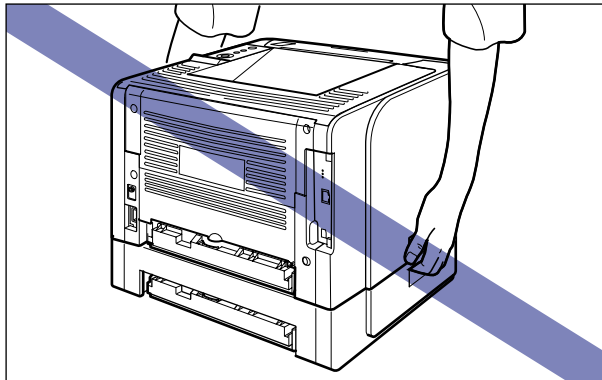
- This printer weighs approximately 11.2 kg without the paper cassette installed. Please be careful not to hurt your back or other portions of your body when carrying the printer.
- Be sure not to hold the printer by the front portion, back portion, or any portions other than the lift handles. If you do so, you may drop the printer, resulting in personal injury.



- The back portion (A) of the printer is relatively heavy. Be careful not to get off-balanced when lifting the printer. If you do so, you may drop the printer, resulting in personal injury.



- Do not carry the printer with the paper feeder installed. If you do so, the paper feeder may drop resulting in personal injury.



 **NOTE**

If the optional paper feeder was previously installed in the printer, place the paper feeder on the new installation site before carrying the printer to the site. For details on the procedure for installing the paper feeder, see "Installing the Paper Feeder," on p. 9-2.

5 Put the printer down carefully at the new installation site.

 **CAUTION**

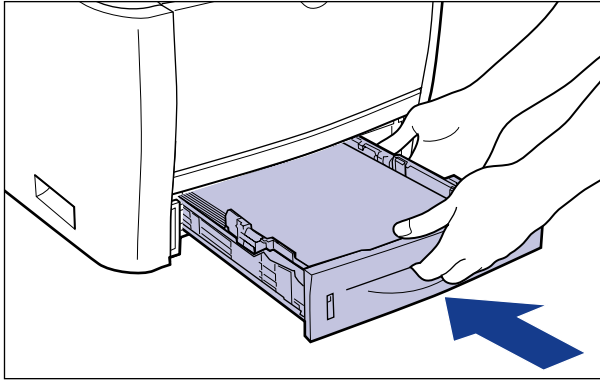
Put the printer down slowly and carefully. Be careful not to hurt your hands.

 **IMPORTANT**

Secure sufficient space around the printer at the installation site so that you can install the optional accessories and connect cables.

6 Set the paper cassette in the printer.

Push the paper cassette into the printer firmly until the front side of the paper cassette is flush with the front surface of the printer.



! CAUTION

When setting the paper cassette, be careful not to catch your fingers.

7 Connect the interface cables except for the USB cable, and connect the power cord.

8 Plug the power plug into the AC power outlet.

9 Connect the USB cable.

● Transporting the Printer

When transporting the printer for reasons such as relocating, remove the toner cartridge and store the printer and the parts in the package that they came in with the packing materials attached in order to prevent them from being damaged while being transported.

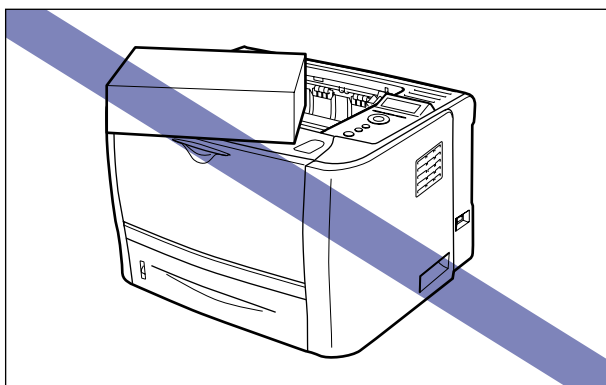
If the original package and packing materials are not available, find an appropriate box and packing materials and pack the printer and the parts appropriately.

Handling the Printer

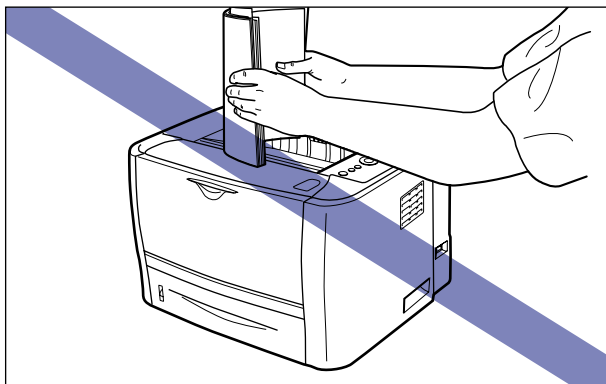
This printer consists of various electronic and precise optical parts. Read the following section so that you can handle the printer properly.

IMPORTANT

- For details on how to handle the printer, also read "Important Safety Instructions" (See p. xv).
- Do not place any heavy objects on the printer, trays, or covers. This may result in damage to the printer.

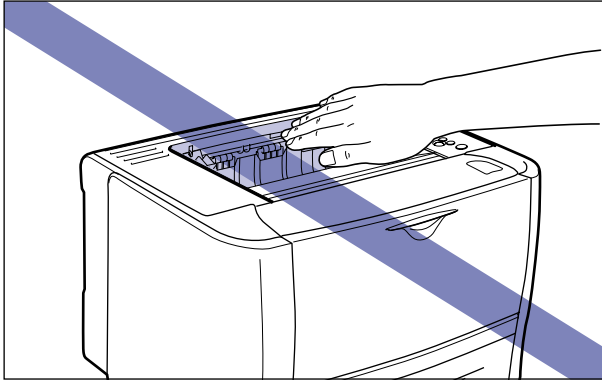


- Do not leave any cover open longer than required. Exposing the printer to direct sunlight or strong light may result in deterioration in print quality.
- Avoid vibration while the printer is printing. This may result in deterioration in print quality.



- Be sure not to open the covers on the printer during printing. This may result in damage to the printer.

- Handle each cover gently when opening or closing it. Failure to do so may result in damage to the printer.
- If you want to spread a blanket on the printer to prevent dust from entering the printer, turn the power OFF and allow the printer to cool down sufficiently before covering the printer.
- If you do not plan to use the printer for a long period of time, unplug the power plug from the AC power outlet.
- Do not use or store the printer in a room where chemicals are used.
- The face-down output tray and its surroundings become hot during or immediately after using the printer. Do not touch the face-down output tray and its surroundings when removing the jammed paper or performing the related operation.



Troubleshooting

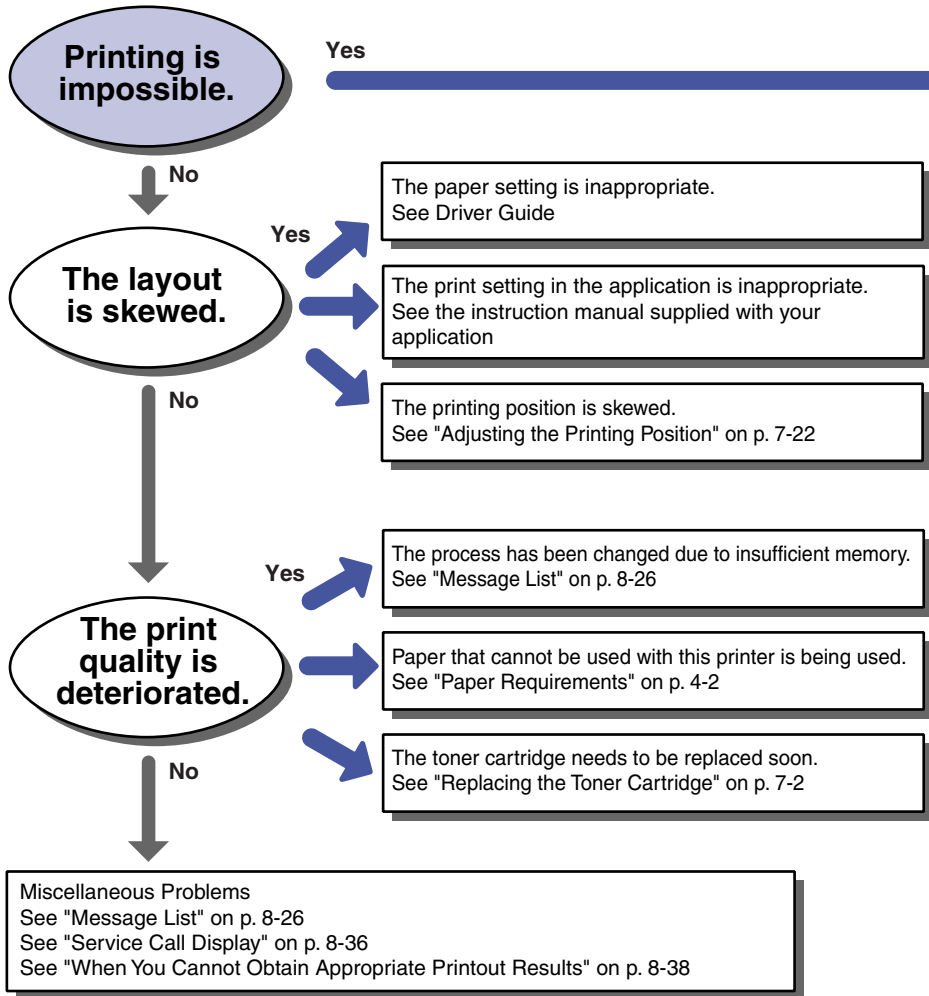
8

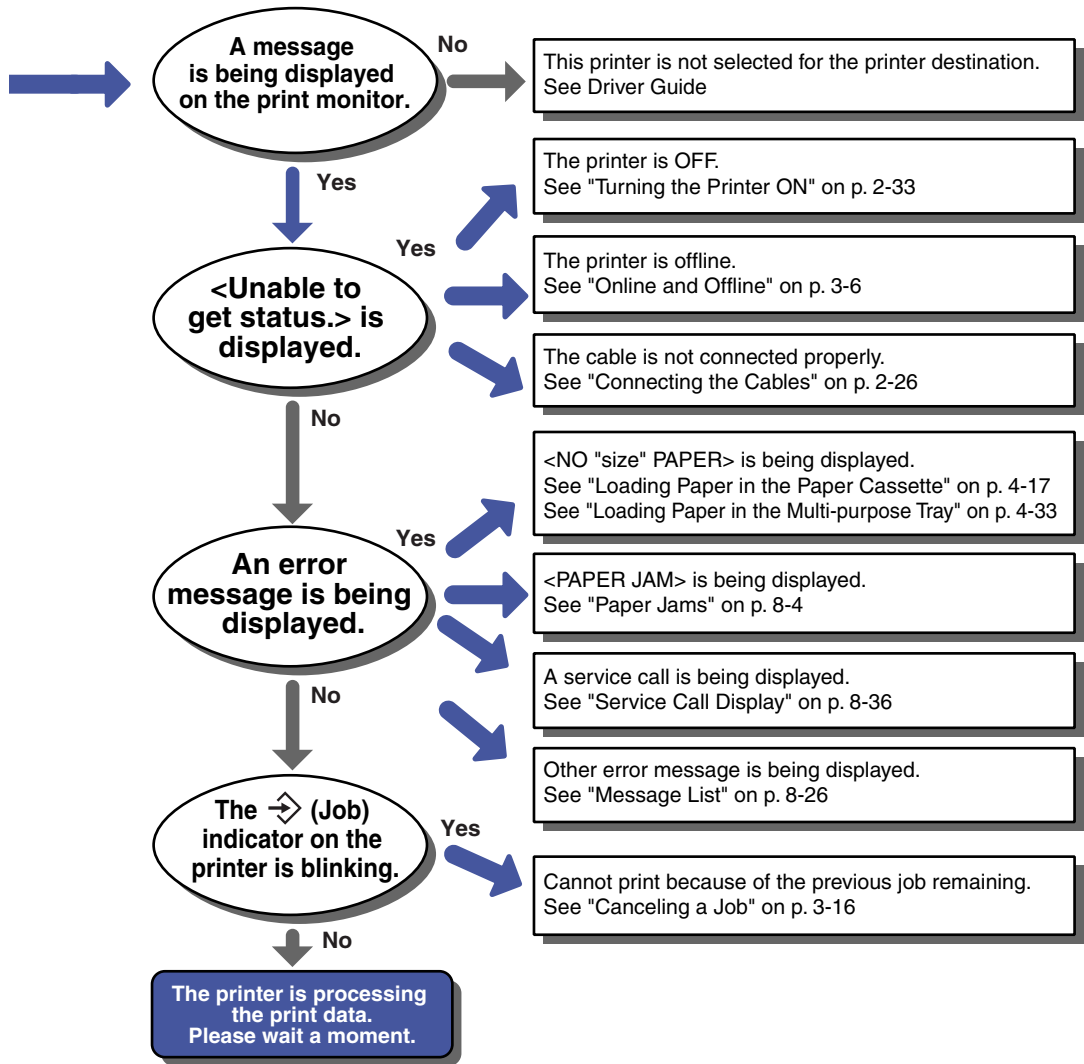
CHAPTER

This chapter describes the remedies for problems such as a paper jam or an error message appearing.

Troubleshooting Flowchart	8-2
Paper Jams	8-4
Precautions on Clearing Paper Jams	8-4
Paper Jam Area	8-7
Procedure for Clearing Paper Jams	8-8
Message List.	8-26
Service Call Display	8-36
When You Cannot Obtain Appropriate Printout Results	8-38
Problems with the Power or Printer Operation	8-38
Problems with the Printout Results	8-41
Print Quality Problems	8-45

Troubleshooting Flowchart





Paper Jams

When a paper jam occurs during printing for some reason, the printer beeps, displaying the message <13 PAPER JAM> in the display. When a paper jam occurs, remove the jammed paper using the following procedure, and then resume the job. If the message that indicates the paper jam does not disappear even after removing the jammed paper following the procedure, there is a possibility that torn pieces of paper are still left inside the printer. Inspect each part of the printer again, and completely remove all pieces of jammed paper.

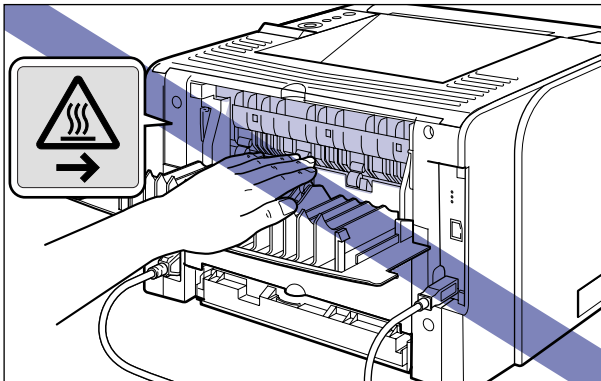
Precautions on Clearing Paper Jams

WARNING

There are some areas inside the printer which are subject to high-voltages. When removing jammed paper or when inspecting the inside of the printer, do not allow necklaces, bracelets, or other metal objects to touch the inside of the printer, as this may result in burns or electrical shock.

CAUTION

- The fixing unit and its surroundings inside the printer are hot during use. Make sure the fixing unit is completely cool before removing the jammed paper. Touching the fixing unit when it is still hot may result in burns.
- The face-up output slot and its surroundings become hot during or immediately after using the printer. Do not touch the face-up output slot and its surroundings, as doing so may result in burns.

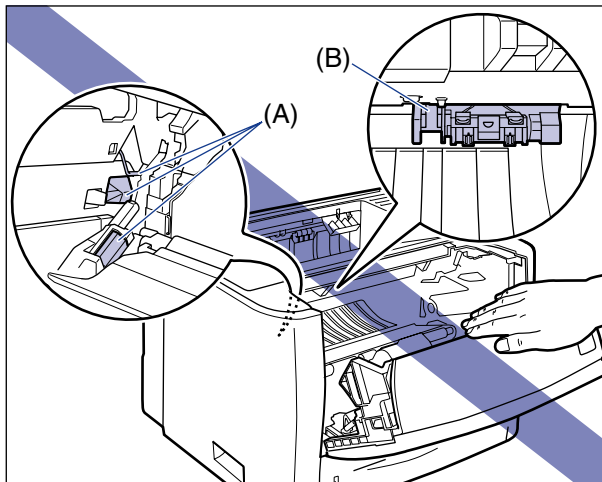


- The paper may be hot immediately after being output. Be careful when removing the paper as well as when aligning the removed paper, especially after printing continuously. Otherwise, this may result in burns.

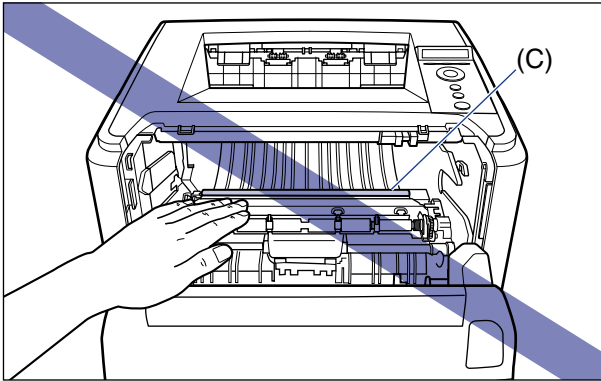
- When removing jammed paper, take care not to allow the toner to come into contact with your hands or clothing, as this will dirty your hands or clothing. If they become dirty, wash them immediately with cold water. Washing with warm water will set the toner and make it impossible to remove the toner stains.
- When removing paper jammed inside the printer, remove the jammed paper gently to prevent the toner on the paper from scattering and getting into your eyes or mouth. If the toner gets into your eyes or mouth, wash them immediately with cold water and immediately consult a physician.
- When removing jammed paper, take care not to cut your hands with the edges of the paper.
- Keep your hands or clothing away from the roller in the output area after removing jammed paper completely. Even if the printer is not printing, sudden rotation of the roller may catch your hands or clothing, resulting in personal injury.

 **IMPORTANT**

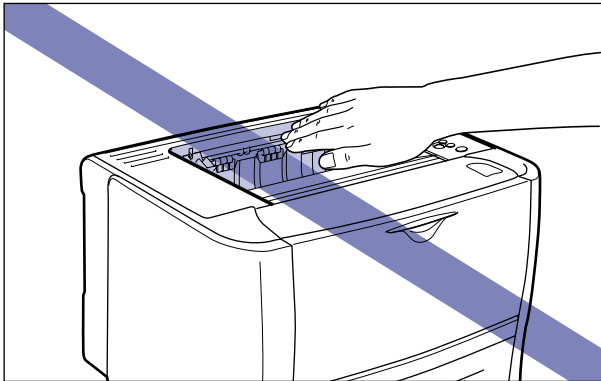
- Remove jammed paper while the power of the printer is ON. If the power is turned OFF, the data being printed will be deleted.
- Applying excess force may result in tearing paper or damaging the parts in the printer. When removing jammed paper, pull out the paper in the most appropriate direction, judging from the position of the paper.
- If paper is torn, be sure to find and remove any remaining pieces of paper.
- Be sure not to touch the high-voltage contacts (A) or electrical contact (B) shown in the figure, as this may result in damage to the printer.



- Be sure not to touch the transfer roller (C). This may result in deterioration in print quality.

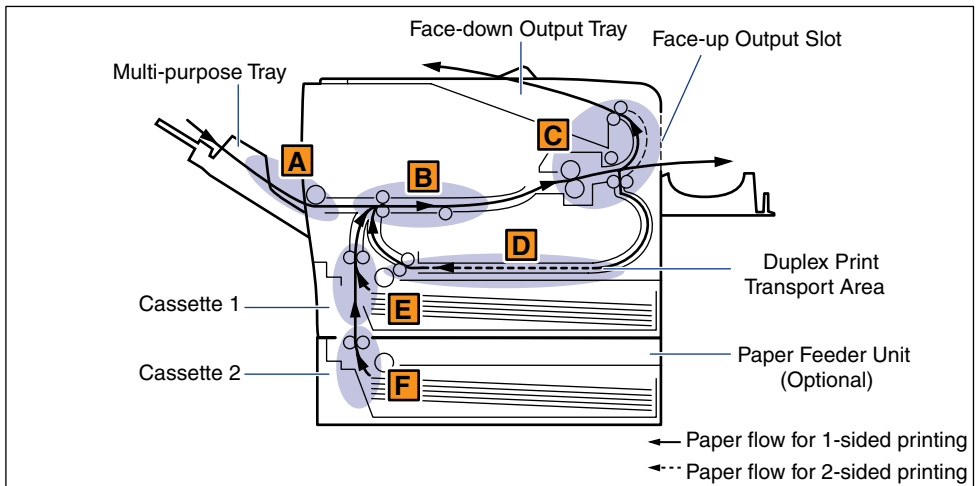


- The face-down output tray and its surroundings become hot during or immediately after using the printer. Do not touch the face-down output tray and its surroundings when removing the jammed paper or performing the related operation.



Paper Jam Area

The message that appears in the display shows the location where the paper jam occurred.



Paper Jam Area		Paper Jam Area Mark*	Message
A	Multi-purpose tray		<TRAY AREA>
B	Inside the front cover		<FRONT COVER>
C	Face-up output slot		<S-OUTPUT AREA>
D	Duplex print transport area		<DUPLEX UNIT>
E	Cassette 1		<CASS.1 AREA>
F	Cassette 2 (Only when the paper feeder is installed)		<CASS.2 AREA>

* In "Procedure for Clearing Paper Jams" (See p. 8-8), this mark is attached to the left of each step, indicating the paper jam area where the operation described in the step is required.

Procedure for Clearing Paper Jams

Remove the jammed paper using the following procedure.

IMPORTANT

The error message may remain if jammed paper is removed without opening the front cover. In this case, open and close the front cover once.

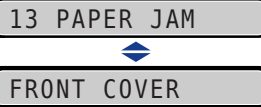
NOTE

The illustrations of the printer on the left of each step indicate paper jam areas where the operation described in the step is required.

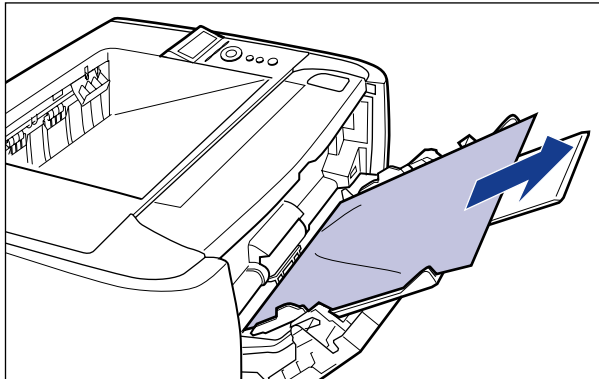
1 Confirm all the messages that appear in the display.

Messages appear one at a time. Confirm all of them.

As the messages disappear when the cover is open, take a note of them if required.



2 Remove any paper jammed in the multi-purpose tray.

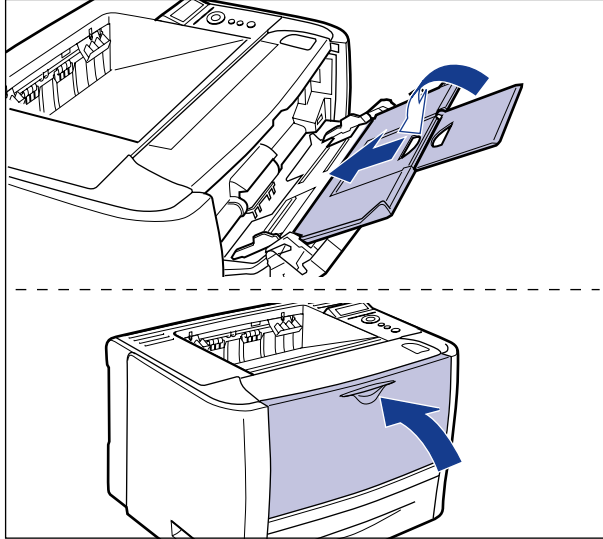


IMPORTANT

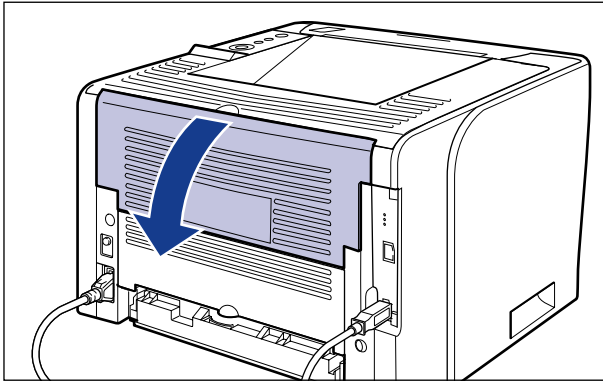
If the jammed paper cannot be removed easily, do not try to remove it forcefully but proceed to Step 3.



3 If you are using the multi-purpose tray, close it.

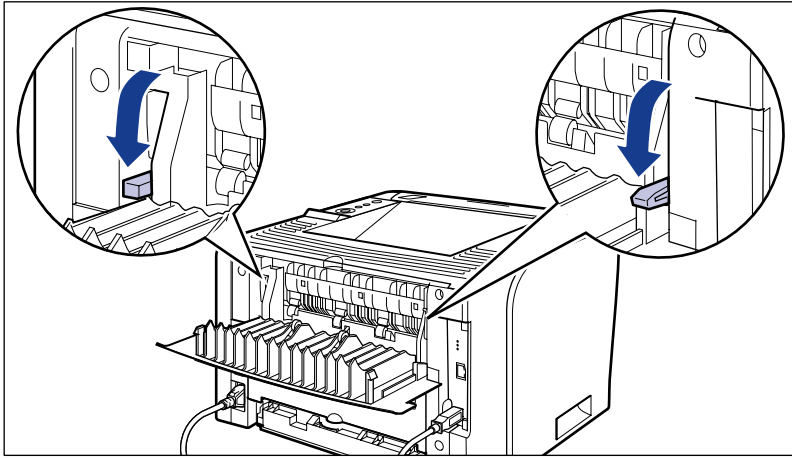


4 Open the output selection cover.





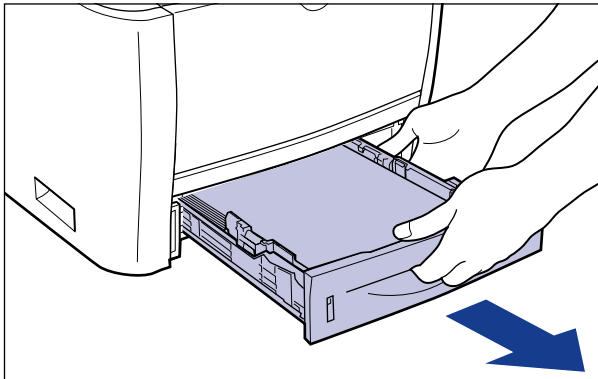
- 5** Press down the green pressure release levers on both sides of the fixing unit.



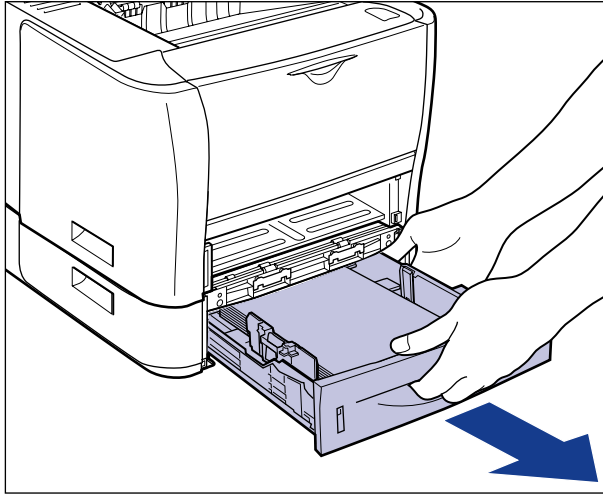
Even if you can see the paper here, do not remove it but proceed to Step 6.



- 6** Pull out the paper cassette.



If the paper feeder is installed, pull out the paper cassette of the paper feeder also.

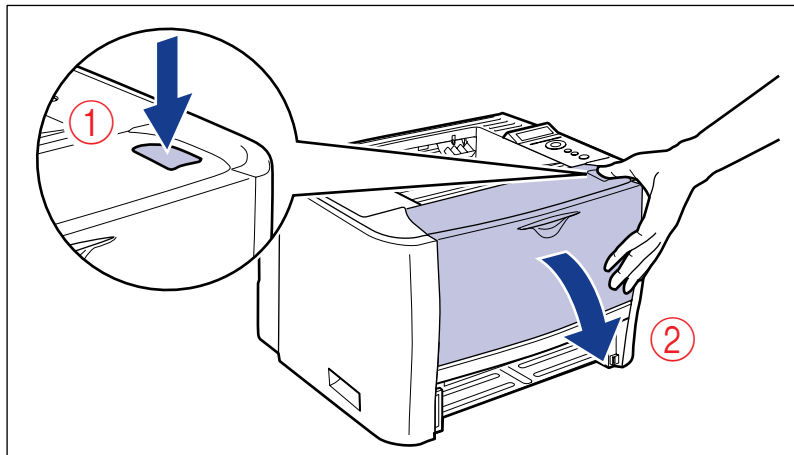


Even if you can see the paper here, do not remove it but proceed to Step 7.



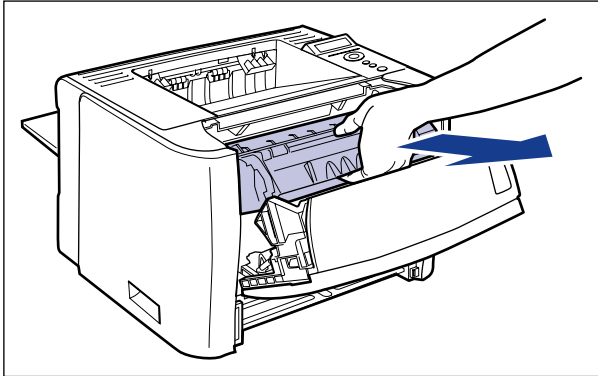
7 Open the front cover.

While pressing the open button on the top of the front cover ①, open it gently ②.





8 Remove the toner cartridge from the printer.



Immediately place the removed toner cartridge into the original protective bag or wrap it with a thick cloth.



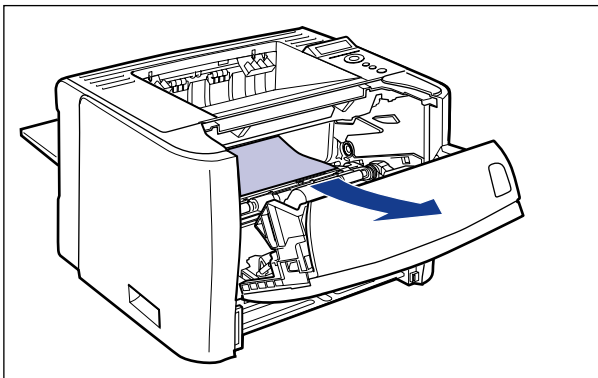
NOTE

For details on handling toner cartridges, see "Precautions for Handling Toner Cartridges," on p. 7-14.



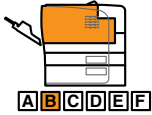
9 If you see the top of the jammed paper inside the front cover, simply pull out the paper to remove it.

Remove the jammed paper gently to prevent unfixed toner from spilling.



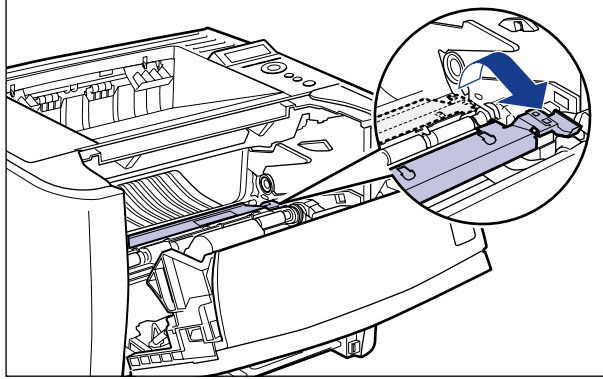
IMPORTANT

If you pull the jammed paper obliquely upward, unfixed toner may spill. When removing the jammed paper, pull it as horizontally as possible. Dirt inside the printer may cause deterioration in print quality.



10 Raise the transport guide, then tilt it toward you.

Holding the green tab, raise the transport guide, then tilt it toward you.



CAUTION

Do not take your hands off the transport guide. The transport guide may snap back to its original position, and this may result in personal injury.

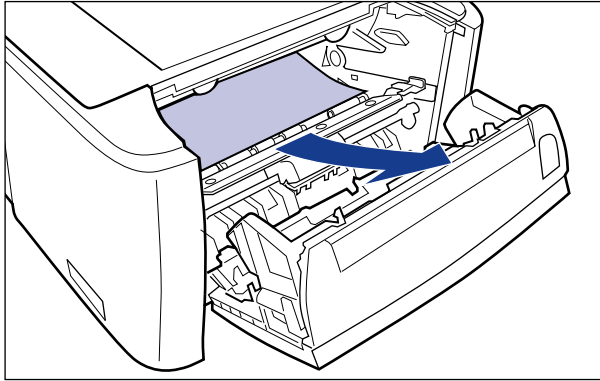


11 Remove any jammed paper.

Remove the jammed paper gently to prevent unfixed toner from spilling.

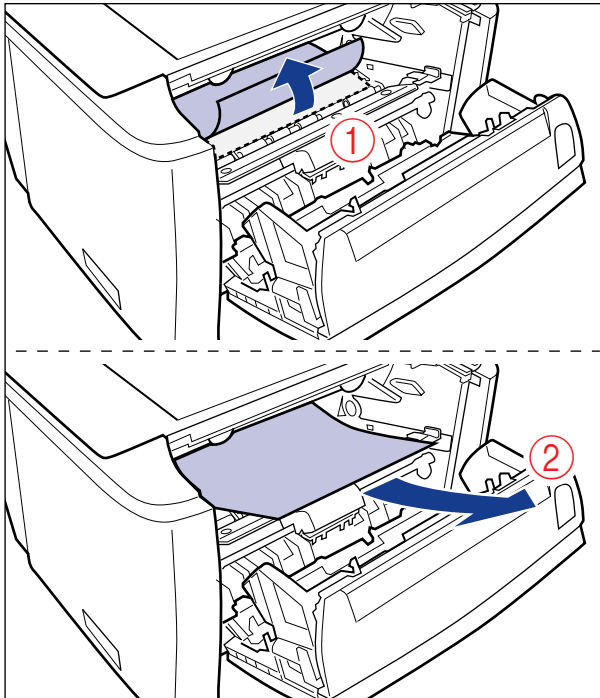
- **If you can see the rear edge of the jammed paper**

Remove the paper by pulling it in the direction of the arrow.



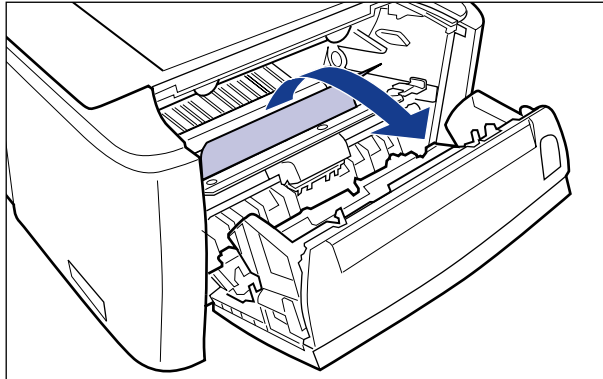
- **If you cannot see either edge of the jammed paper**

Pull out the rear edge of the paper ①, then remove the paper by pulling it in the direction of the arrow ②.



• **If you can see the top edge of the jammed paper**

Remove the paper by pulling it in the direction of the arrow.

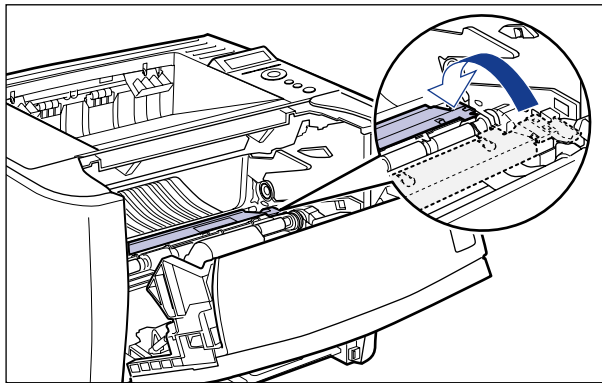


IMPORTANT

If the jammed paper cannot be removed easily, do not try to remove it forcefully but proceed to Step 12.



12 Gently move the transport guide back to its original position.



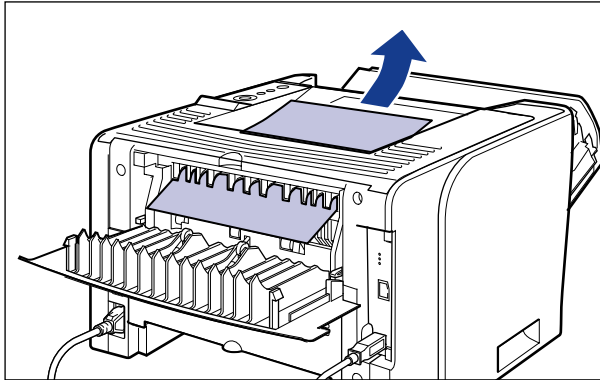
CAUTION

Do not take your hands off the transport guide until the transport guide moves back to its original position. The transport guide may snap back to its original position, and this may result in personal injury.

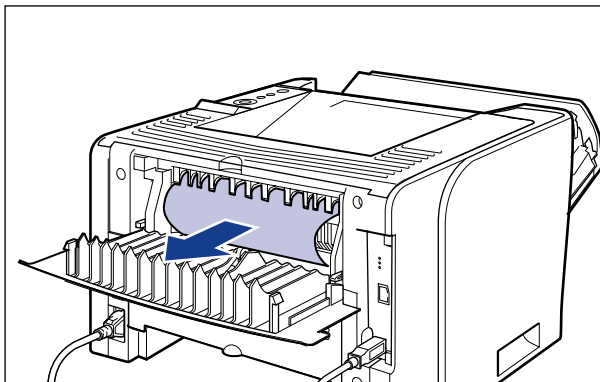


13 Remove any jammed paper by pulling it in the direction of the arrow.

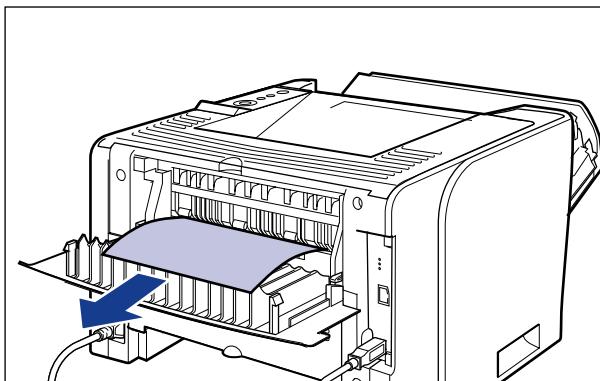
- If the top edge of the paper is output



- If you cannot see either edge of the jammed paper

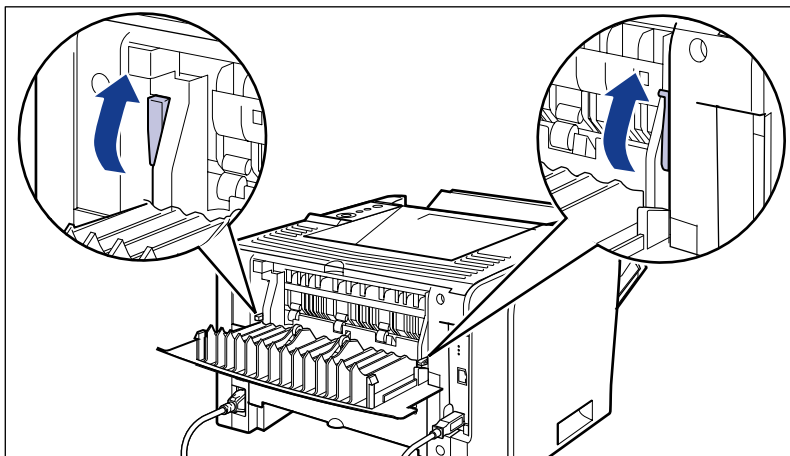


- If you can see only the top edge of the jammed paper

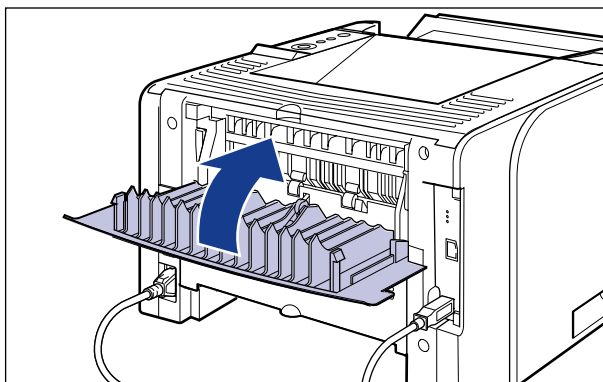




14 Move the green pressure release levers of the fixing unit back to their original positions.



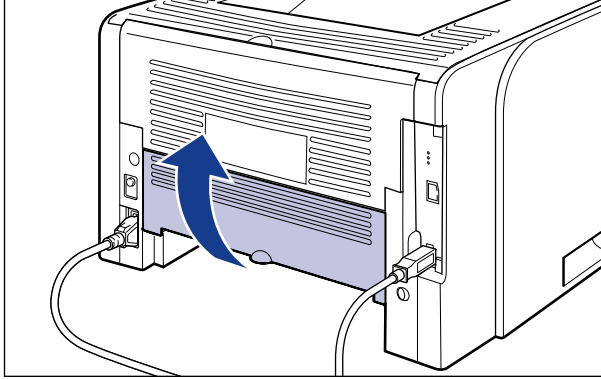
15 Close the output selection cover.



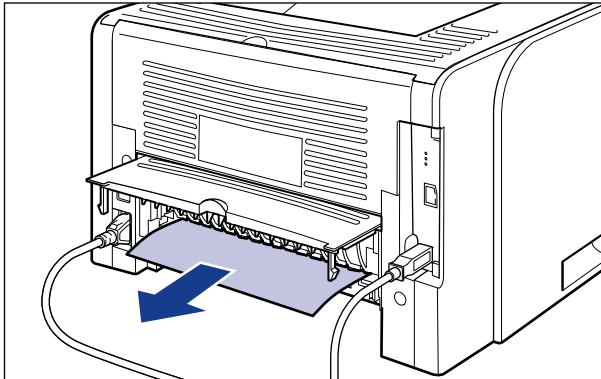


16 Open the duplex unit cover.

Holding the opening at the center of the duplex unit cover, open it gently.



17 Remove any jammed paper by pulling it in the direction of the arrow.



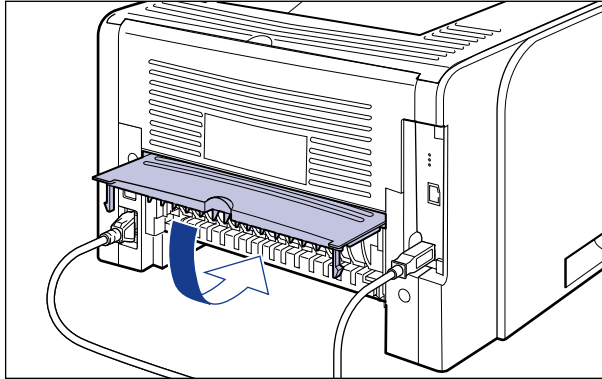
IMPORTANT

If the jammed paper cannot be removed easily, do not try to remove it forcefully but proceed to Step 18.



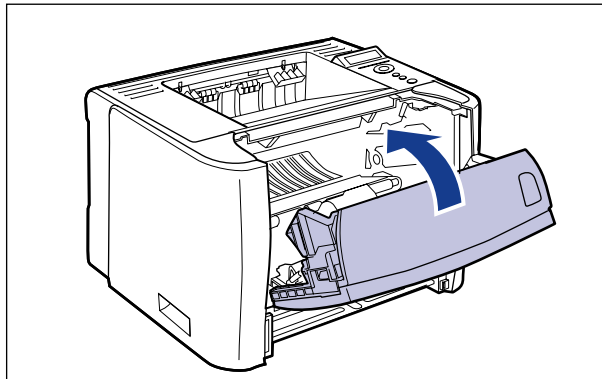
18 Close the duplex unit cover.

Holding the opening at the center of the duplex unit cover, close it gently.



19 Close the front cover.

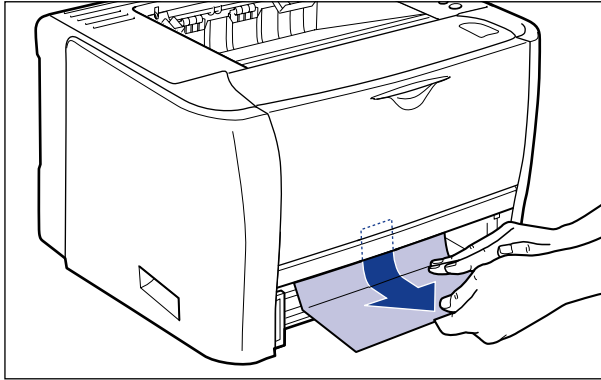
Close the front cover gently and firmly.



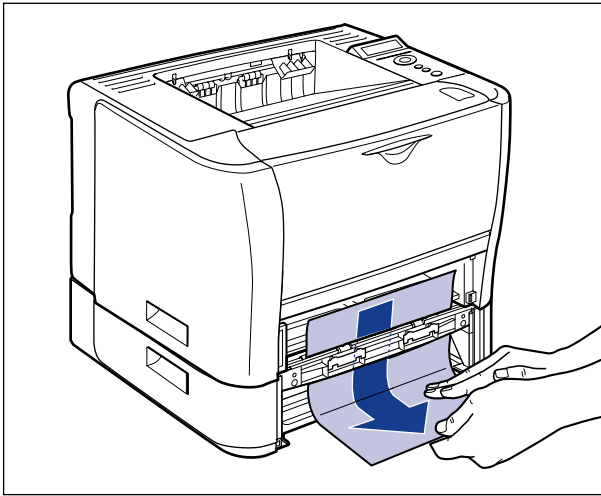


20 Remove any jammed paper while pushing it downward to some extent.

- In case of the printer unit

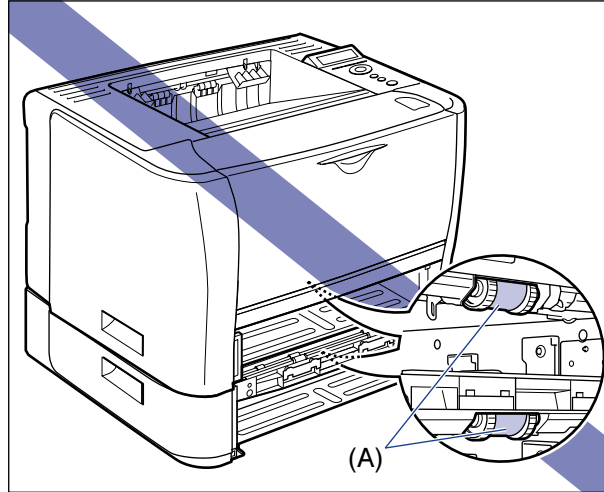


- In case of the paper feeder



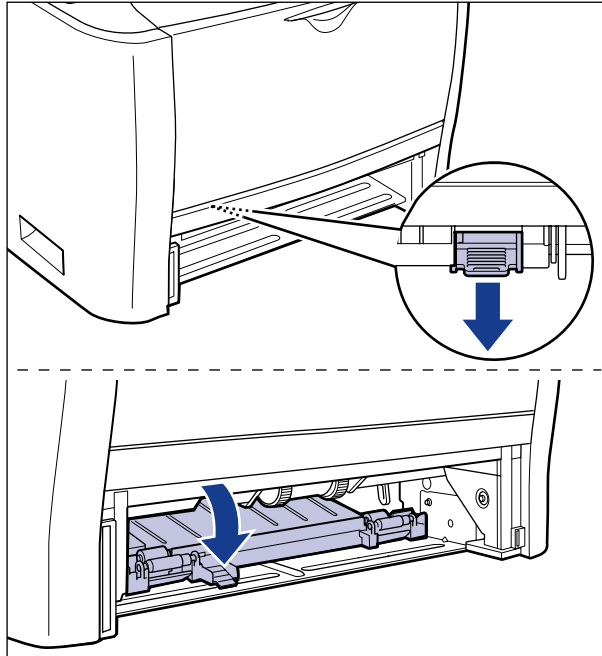
 **IMPORTANT**

Do not touch the feed rollers (A) in the printer unit and paper feeder. This may result in damage to the printer or printer error.



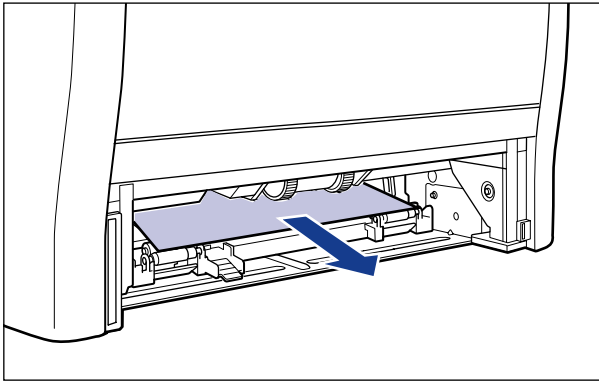
21 Open the duplex print transport guide.

Holding the green tab, push the duplex print transport guide downward.



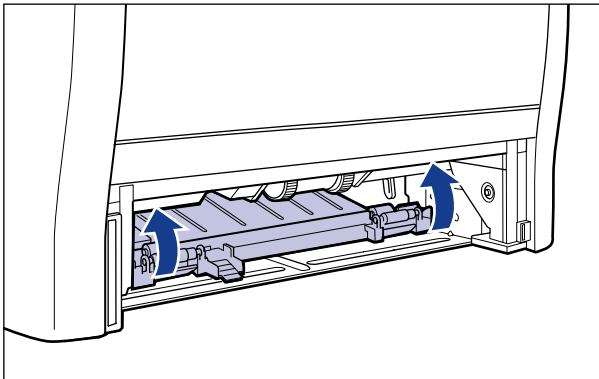


22 Remove any jammed paper by pulling it in the direction of the arrow.



23 Close the duplex print transport guide.

Holding the green tab, close both sides of the duplex print transport guide securely.



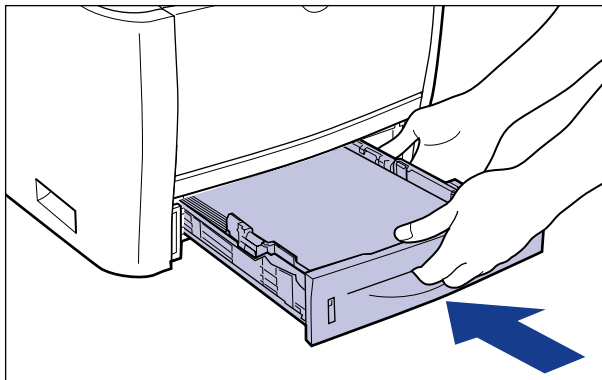
 **IMPORTANT**

Make sure that the duplex print transport guide is closed completely. If the duplex print transport guide is not closed completely, this may result in misfeeds or paper jams.

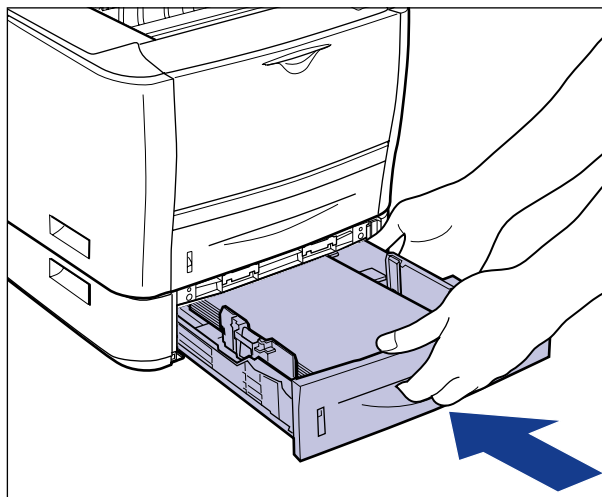


24 Set the paper cassette in the printer.

Push the paper cassette into the printer firmly until the front side of the paper cassette is flush with the front surface of the printer.



If the paper feeder is installed, set the paper cassette of the paper feeder also.



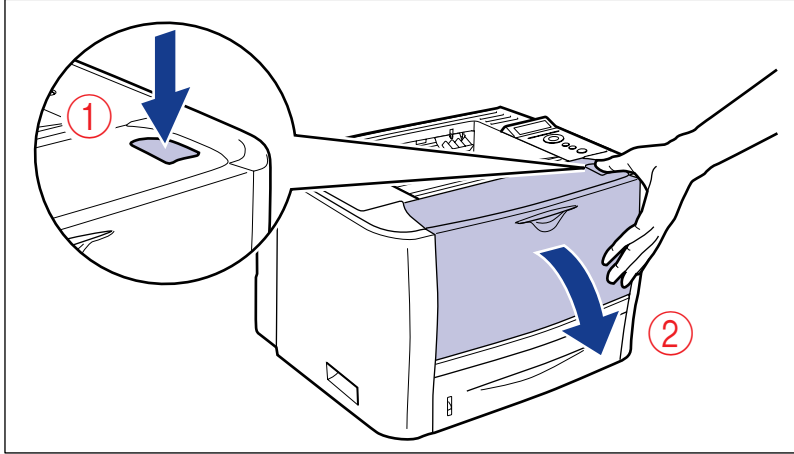
CAUTION

When setting the paper cassette, be careful not to catch your fingers.



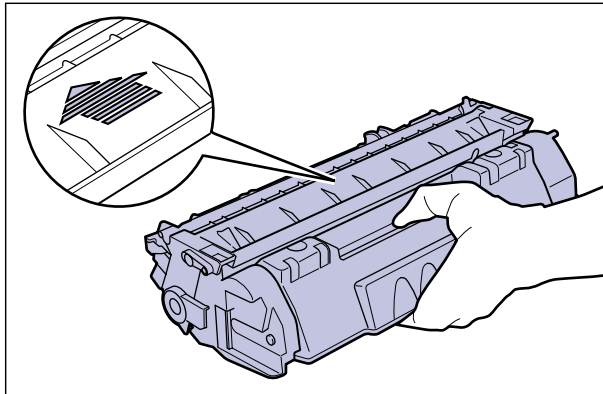
25 Open the front cover.

While pressing the open button on the top of the front cover ①, open it gently ②.

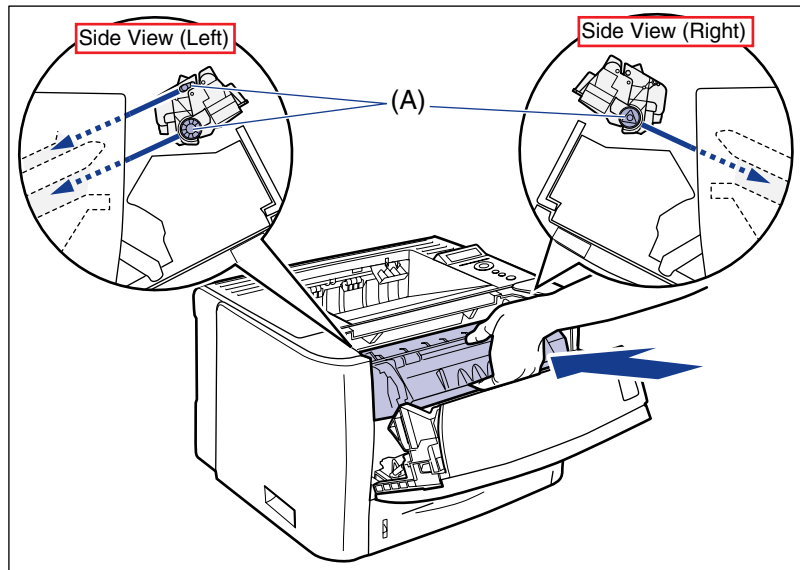


26 Install the toner cartridge.

1. Take the toner cartridge out of the protective bag or thick cloth.
2. Hold the toner cartridge properly with the arrowed side facing up as shown in the figure.

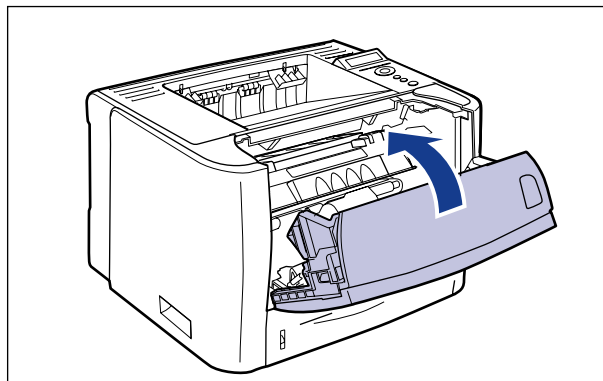


3. Push the toner cartridge into the printer firmly until it touches the back of the printer while aligning (A) on both sides of the toner cartridge with the toner cartridge guides inside the printer.



27 Close the front cover.


Close the front cover gently and firmly.



IMPORTANT


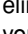
- If you cannot close the front cover, make sure that the toner cartridge is installed properly. If you try to close the front cover forcefully, this may result in damage to the printer or toner cartridge.
- Do not leave the front cover open for a long time after installing the toner cartridge. This may result in deterioration in print quality.

Message List

When the printer cannot continue printing for some reason (an error status), the printer beeps, the  (Message) indicator comes on, and an error message that indicates the description of the error appears in the display. A Warning message appears in the display when the printer requires some remedy (a warning status) although the job is not affected.

If either of these messages appears, perform the following procedures according to the message.

NOTE

- When multiple warnings are occurring at the same time, the Warning messages appear by rotation.
- When the printer is in error status and warning status at the same time, the Warning message does not appear.
- Even when a message with (Warning Message) appears (when the printer is in a warning status), the printer does not stop printing.
- For a message with the <Auto Error Skip> mark, you can skip the error by pressing the  (Online) key and continue printing. However, part of the print data may be missing or it may not be printed properly. When you want to stop the process, perform a soft reset to eliminate the cause of the error, press the  (Online) key, and then print again. Also, you can automatically skip the errors to which this mark is attached by setting AUTO ERROR SKIP in the SETUP menu to ON.

<E nnn-nnnn> ("n" represents a number)

Cause A problem has occurred inside the printer.

Remedy Solve the problem following the instructions in "Service Call Display" (See p. 8-36).

<OF OPT.CONN.ERR.>

Cause 1 The optional paper feeder is not installed properly.

Remedy Turn the power OFF, install the paper feeder properly, and then turn it ON again.

Cause 2 The optional paper feeder is installed or removed when the printer is ON.

Remedy Turn the power OFF, install or remove the paper feeder, then turn the printer ON again.

Cause 3 The connector of the optional paper feeder is disconnected.

Remedy Turn the printer OFF, unplug the power plug from the AC power outlet and contact your local authorized Canon dealer.


Cause 4 A paper feeder that is not for this printer is installed.

Remedy Turn the power OFF, install the paper feeder for this printer, and then turn it ON again.

<11 NO "size" PAPER>

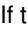
Cause Paper of the size specified in the application is not loaded in the paper source (in all the paper sources when PAPER SOURCE is set to AUTO; in the specified paper source when the setting is fixed).

Remedy 1 Refill or load paper.

Remedy 2 Press the  (Feeder Selection) key, then select other paper source for the same paper size or larger paper size. (See "Selecting a Paper Source," on p. 4-11)


<12 COVER OPEN>

Cause The front cover is open.

Remedy Close the front cover firmly. If the printer is not online, press the  (Online) key.


<13 PAPER JAM>

Cause Paper is jammed inside the printer

Remedy Remove the jammed paper and set the paper cassette and covers to the original position. If the printer is not online, press the  (Online) key. (See "Paper Jams," on p. 8-4)



IMPORTANT

- If paper jams have occurred at multiple areas at the same time, the areas appear in the display by rotation.
- If you have removed the jammed paper without opening any cover, be sure to open and close the front cover once, and then press the  (Online) key.


<14 NO TONER CART>


Cause **The toner cartridge is not installed or installed improperly.**

Remedy Install the toner cartridge properly. (See "Replacing the Toner Cartridge," on p. 7-2)

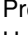
<18 FEED ERROR>

Cause **Paper of the size or type that cannot be fed from the multi-purpose tray or paper cassette is specified.**

Remedy 1 If a paper source is specified, press the  (Feeder Selection) key, then set PAPER SOURCE to AUTO.

Remedy 2 Press the  (Feeder Selection) key, select a paper source from which paper of the specified size or type can be fed, then load paper.

Remedy 3 Specify the settings for STD PAPER SIZE and STD PAPER TYPE in the FEEDER MENU options in the SETUP menu to the size or type of paper that can be loaded in the paper source.

Remedy 4 Press the  (Online) key, then print from the currently selected paper source. However, this may result in deterioration in print quality.

<1H CHK TNR CONN.>**(Warning Message)**


Cause **There is a possibility that the toner cartridge is not installed properly.**

Remedy 1 Remove the toner cartridge, then reinstall it properly.

Remedy 2 If <1H CHK TNR CONN.> appears and there is a problem with the print quality even after applying the Remedy 1, remove the toner cartridge and replace it with a new one. (See "Replacing the Toner Cartridge," on p. 7-2)

<23 DOWN.MEM.FULL>**<Auto Error Skip>**

Cause **The memory for registering macro and custom characters has run out and overflowed.**

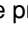
Remedy 1 The printer continues printing by pressing the  (Online) key. However, the overflowed data cannot be registered.

Remedy 2 Perform a soft reset using the RESET menu, increase the free space of RAM using the following procedure, register the data again, and then print again.

- Perform a hard reset or cycle the power of the printer (Be aware that all the data in the memory will be deleted).

<26 SYS.MEM.FULL>**<Auto Error Skip>**

Cause The work memory required for the printer process has run out while the system is processing the data (mainly the graphics data and text data).


Remedy 1 The printer continues printing by pressing the  (Online) key. However, the data with which an error has occurred is not printed properly.

Remedy 2 Perform a soft reset using the RESET menu, and then increase the free space of RAM using the following procedure.

- Perform a hard reset or cycle the power of the printer (Be aware that all the data in the memory will be deleted).

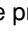
<27 JOB START ERR>**<Auto Error Skip>**

Cause The specified emulation does not exist.

Remedy Press the  (Online) key to continue printing from the next data. However, the data with which an error has occurred is not printed.

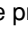
<30 MEMORY FULL>**<Auto Error Skip>**

Cause The work memory has run out while the system is processing the data.

Remedy The printer continues printing by pressing the  (Online) key. However, the data with which an error has occurred may not be printed properly.

<32 2-SIDED ERROR>**<Auto Error Skip>**

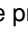
Cause The printer received 2-sided printing data of paper sizes (including the orientation) or paper types unavailable for automatic 2-sided printing.

Remedy 1 The printer continues printing by pressing the  (Online) key. However, the data on each side is printed on two pages.

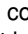
Remedy 2 After performing a soft reset in the RESET menu, change the setting to a paper size or type available for automatic 2-sided printing, and then print again.

<33 WORK MEM.FULL>**<Auto Error Skip>**

Cause The work memory for each print mode cannot be secured.

Remedy 1 The printer continues printing by pressing the  (Online) key. However, the data with which an error has occurred is not printed properly.

**IMPORTANT**

When you continue printing by pressing the  (Online) key, be aware that the data of macro that is already registered may be deleted.

Remedy 2 Perform a soft reset in the RESET menu, increase the free space of RAM using the following procedure, and then print again.

- Perform a hard reset or cycle the power of the printer (Be aware that all the data in the memory that the printer has received will be deleted).

<35 TABLE FULL>**<Auto Error Skip>**

Cause **The number of the documents in a job has exceeded 16.**

Remedy The printer continues printing by pressing the **●→** (Online) key. However, the job with which an error has occurred is not printed.

<38 LOW IMGE QLTY>**<Auto Error Skip>**

Cause **The printer cannot process the data because it is too complicated.**

Remedy 1 The printer continues printing by pressing the **●→** (Online) key. However, the printer prints with the image quality level being lowered.

Remedy 2 Perform a soft reset in the RESET menu, set GRADATION LEVEL (See p. 6-24) in the QUALITY MENU options in the SETUP menu to STANDARD, and then print again.

<39 SPL MEM.FULL>**<Auto Error Skip>**

Cause **Because spool memory has run out, the printer cannot print.**

Remedy 1 The printer continues printing by pressing the **●→** (Online) key. However, the page with which an error has occurred is not printed.

Remedy 2 Perform a soft reset in the RESET menu, specify the paper size smaller, and then print again.

Remedy 3 Perform a soft reset in the RESET menu, set GRADATION LEVEL (See p. 6-24) in the QUALITY MENU options in the SETUP menu to STANDARD, and then print again.

Remedy 4 If 2-SIDED PRINT. in the FEEDER MENU options in the SETUP menu is set to ON, specify OFF, and then print again.

Remedy 5 Change the setting for HALFTONES (See p. 6-26) in the QUALITY MENU options in the SETUP menu, and then print again.

<41 CHK PAPER SIZE>

Cause 1 The size of the paper loaded in the multi-purpose tray or paper cassette is different from the setting for TRAY PAPER SIZE, CASSETTE1 SIZE, or CASSETTE2 SIZE specified from the computer or control panel.

Remedy Match the size specified in TRAY PAPER SIZE, CASSETTE1 SIZE, or CASSETTE2 SIZE and the size of the loaded paper, and then press the **●→** (Online) key.

Cause 2 You are using UFR II Printer Driver, and you loaded custom paper of its long edges 215.9 mm or less and printed when TRAY PAPER SIZE, CASSETTE1 SIZE, or CASSETTE2 SIZE in the FEEDER MENU options in the SETUP menu was set to MIXED SIZE.

Remedy Load the paper in landscape orientation, then print again.

Cause 3 CHK PAPER SIZE in the USER MAIN. options in the SETUP menu is set to OFF.

Remedy Set CHK PAPER SIZE (See p. 6-38) to ON, then print again.

<52 RAST.MODE ERR>

<Auto Error Skip>

Cause The printer received data in format that it does not support during printing in the Raster mode.

Remedy 1 The printer continues printing by pressing the **●→** (Online) key. However, the data may not be printed properly.

Remedy 2 Print again using a printer driver that supports image data formats.

<53 SEC.PRINT ERR>

<Auto Error Skip>

Cause Secured print data is sent from a printer driver that is not for LBP3370.

Remedy Press the **●→** (Online) key to cancel the job.

<53 STORE ERROR>

<Auto Error Skip>

Cause The data for which a stored job print is specified is sent from a printer driver that is not for LBP3370.

Remedy Press the **●→** (Online) key to cancel the job.

<58 JOB MEM.FULL>**<Auto Error Skip>**

Cause There is not sufficient free RAM space to process jobs.

Remedy 1 If you are processing multiple jobs at once, press the ●—● (Online) key to cancel printing, wait for other jobs complete, and then print again.

Remedy 2 If the job data is too large, divide the job and print again.

<59 JOB RX ERROR>**<Auto Error Skip>**

Cause The printer received any unanalyzable data while it is receiving a job, or it timed out.

Remedy 1 Press the ●—● (Online) key to cancel printing, then print again.

Remedy 2 A problem may be occurring in the network you are using. Check the status of the network that your are using.

<A4 nn ERROR> ("nn" represents two-digit alphanumeric characters)

Cause A problem has occurred and the printer does not operate properly.

Remedy Cycle the power of the printer. If the message appears even after cycling the power of the printer, note down the message in the display, and contact your local authorized Canon dealer.

<A5 nn ERROR> ("nn" represents two-digit alphanumeric characters)

Cause A problem has occurred and the printer does not operate properly.

Remedy Cycle the power of the printer. If the message appears even after cycling the power of the printer, note down the message in the display, and contact your local authorized Canon dealer.

<A7 nn ERROR> ("nn" represents two-digit alphanumeric characters)

Cause A problem has occurred and the printer does not operate properly.

Remedy Cycle the power of the printer. If the message appears even after cycling the power of the printer, note down the message in the display, and contact your local authorized Canon dealer.

<D7 nn ERROR> ("nn" represents two-digit alphanumeric characters)

Cause A problem has occurred and the printer does not operate properly.

Remedy Cycle the power of the printer. If the message appears even after cycling the power of the printer, note down the message in the display, and contact your local authorized Canon dealer.

<D8 LAYOUT ERROR>

Cause The page cannot be laid out because the memory has run out.

Remedy 1 Set [Graphics Mode] in UFR II Printer Driver to [Raster Mode], then print again. (See Help of UFR II Printer Driver)

Remedy 2 After performing a soft reset using the RESET menu, perform a hard reset to increase the free memory space or cycle the power of the printer, and then print again. (Be aware that all the data in the memory that the printer has received will be deleted.)

Remedy 3 Perform "Error Skip", then continue printing. However, the data with which an error has occurred is not printed properly.

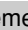
<D8 VERSION ERROR>

Cause You tried to print from a printer driver that is not for LBP3370.

Remedy Print from the printer driver for LBP3370.

<D8 SYNTAX ERROR>

Cause Invalid data is sent when printing using UFR II Printer Driver.

Remedy 1 Press the  (Online) key to continue printing from the next data. However, the page with which an error has occurred and its subsequent pages are not printed.

Remedy 2 Confirm the data to be printed, then print again.

<D8 nn ERROR> ("nn" represents two-digit alphanumeric characters)

Cause A problem has occurred and the printer does not operate properly.

Remedy Cycle the power of the printer. If the message appears even after cycling the power of the printer, note down the message in the display, and contact your local authorized Canon dealer.

D9 IMG.DATA ERR.

Cause Data which this printer cannot process is included in TIFF data or JPEG data.

Remedy This printer cannot print the data. Press the **●→** (Online) key to cancel the job.

D9 IMG.REFER.ERR

Cause Data which this printer cannot process is included in TIFF data.

Remedy This printer cannot print the data. Press the **●→** (Online) key to cancel the job.

<D9 nn ERROR> ("nn" represents two-digit alphanumeric characters)

Cause A problem has occurred and the printer does not operate properly.

Remedy Cycle the power of the printer. If the message appears even after cycling the power of the printer, note down the message in the display, and contact your local authorized Canon dealer.

<F9-nn PWR OFF>ON> ("nn" represents two-digit alphanumeric characters)

Cause A problem has occurred while the printer is processing print data.

Remedy Cycle the power of the printer. If the message appears even after cycling the power of the printer, note down the message in the display, and contact your local authorized Canon dealer.

<FF FONT FULL>

<Auto Error Skip>

Cause Because of too many fonts to be registered, the field (font table) for registering font information has run out and overflowed.

Remedy The printer continues printing by pressing the **●→** (Online) key. However, the page with which an error has occurred is not printed properly.

<FM SIZE ERROR>

<Auto Error Skip>

Cause There is some font with its size exceeds the pseudo-scalable font size.

Remedy Perform "Error Skip", then continue printing. However, the characters with which an error has occurred are not printed properly.

Cause There is a character in which the number of coordinate points on the contour lines exceeds the limitation of a pseudo-scalable font.


Remedy Perform "Error Skip", then continue printing. However, the characters with which an error has occurred are not printed properly.

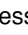
<PC LOAD "size">

Cause The paper of the size specified in the application is not loaded in the paper cassette or multi-purpose tray, or the paper source for the different paper size is selected.

Remedy 1 Load the paper of the size selected in the application (or the one specified by scaling factors). (See "Loading Paper in the Paper Cassette," on p. 4-17)

Remedy 2 If you are using the multi-purpose tray, check TRAY PAPER SIZE, and when the paper size does not match the size specified in the application, specify the setting properly. (See "Loading Paper in the Multi-purpose Tray," on p. 4-33)

Remedy 3 Press the  (Feeder Selection) key, then select the paper cassette in which the paper of the matched size is loaded. (See "Selecting a Paper Source," on p. 4-11)

Remedy 4 Press the  (Online) key, then print to the currently loaded paper forcibly. If you are using the multi-purpose tray, the setting for TRAY PAPER SIZE automatically changes to the setting specified in the application.

**IMPORTANT**

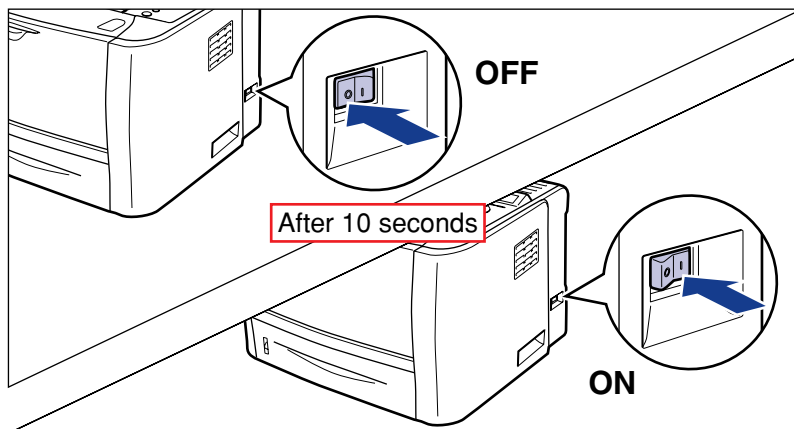
If you open the front cover when the message <PC LOAD "size"> is displayed, the message may disappear. However, be sure to follow the directions in the displayed message to change the paper.

Service Call Display

When a problem has occurred and the printer does not work properly, the service call shown in the figure appears:

Message	Cause	Remedy
<div style="border: 1px solid gray; padding: 2px; display: inline-block;">Ennn-nnnn</div> ("n" represents a number)	A problem has occurred inside the printer.	Cycle the power of the printer using the following procedure. If the message does not disappear after cycling the power of the printer several times, contact your local authorized Canon dealer.
<div style="border: 1px solid gray; padding: 2px; display: inline-block;">E001-nnnn</div> <div style="border: 1px solid gray; padding: 2px; display: inline-block;">E003-nnnn</div> ("n" represents a number)	A problem has occurred with the fixing unit of the printer.	Perform the following procedures from the Step 2 to contact your local authorized Canon dealer.
<div style="border: 1px solid gray; padding: 2px; display: inline-block;">F9-nn PWR OFF>ON</div> ("n" represents a number)	A problem has occurred while the printer is processing print data.	Cycle the power of the printer using the following procedure.

- 1 Turn the power OFF, wait for 10 seconds or longer, and then turn it ON again.



If the message does not reappear, the printer can be used as normal. If the error message still appears, proceed to the next step.

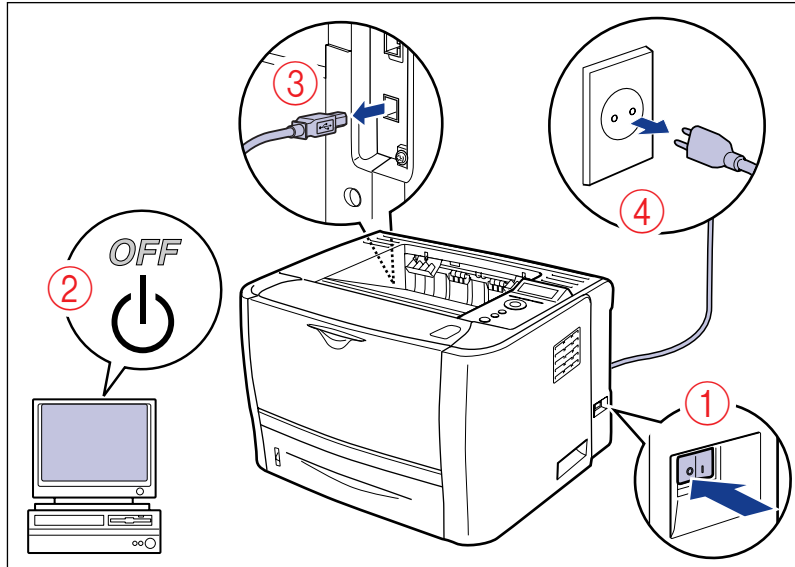
2 Note down the alphanumeric characters and message in the display.

3 Perform the following procedure.

Turn the printer OFF ①.

If a USB cable is connected, turn the computer off ②, and then disconnect the USB cable ③.

Disconnect the power plug from the AC power outlet ④.



4 Contact your local authorized Canon dealer.

When contacting your Canon dealer, please report the problems and code number that you have noted.

When You Cannot Obtain Appropriate Printout Results

If any problem occurs while you are using the printer, take the following measures depending on the symptoms.



IMPORTANT

- If the printer does not operate properly or an error message appears, see "Message List," on p. 8-26 and "Service Call Display," on p. 8-36.
- When a paper jam occurs, see "Paper Jams," on p. 8-4.
- If a symptom that is not indicated in this section occurs, if none of the indicated remedies solve the problem, or if you cannot determine the problem, contact your local authorized Canon dealer.

Problems with the Power or Printer Operation

The printer cannot be turned ON.

Cause 1 The power plug is unplugged from the AC power outlet.

Remedy Plug the power plug into the AC power outlet.

Cause 2 The printer is plugged to an extension cord or multiple power strip.

Remedy Plug the power plug of the printer directly into the AC power outlet on the wall.

Cause 3 The breakers have tripped.



Remedy Reset the breakers on the switch board.

Cause 4 There is a break in the power cord.

Remedy If the printer is turned ON after replacing the power cord with the one that is of the same type and is used for other device, there is a break in the power cord. In this case, purchase a new power cord and replace it with the broken one.

The printer does not operate.

Cause 1 The printer is offline.

Remedy Press the  (Online) key to turn on the  (Offline) indicator. (See "Online and Offline," on p. 3-6)

Cause 2 There is data remaining in the memory (the ⇄ (Job) indicator is on).

Remedy Press the ●● (Online) key to place the printer offline, then select FORM FEED in the RESET menu to output all the data remaining in the memory. (See "Canceling a Job," on p. 3-16)

Cause 3 The interface cable is disconnected.

Remedy Connect the interface cable firmly to the interface connectors on the computer and printer unit. (See "Connecting to a Computer," on p. 2-28)

Cause 4 This printer or any optional accessory is broken.

Remedy Clear the problem referring to the message in the display. (See "Message List," on p. 8-26, "Service Call Display," on p. 8-36)

All the indicators on the print server are off.

Cause 1 The LAN cable is not connected properly or broken.

Remedy 1 Remove the LAN cable once, then connect it again.

Remedy 2 Replace the LAN cable with another one, then connect it.

Cause 2 The cable is connected to the UP-LINK (cascade) port on the hub.

Remedy 1 Connect the LAN cable to a port with a "X" mark.

Remedy 2 If the hub has a UP-LINK (cascade) switch, switch to "X".

Cause 3 A cross LAN cable is being used.

Remedy 1 Replace the cable with a straight LAN cable.

Remedy 2 Connect the cross LAN cable to the UP-LINK (cascade) port on the hub. If the hub has a UP-LINK (cascade) switch, switch to "=".

 **NOTE**

A cross LAN cable is a cable used to connect a printer and computer directly.

Cause 4 Cannot communicate with the hub.

Remedy 1 Make sure that the power of the hub is on.

Remedy 2 Set network transmission setting for the print server according to the transmission speed of the connected hub. (See "ETHERNET DRIVER," on p. 6-35)

Remedy 3 Replace the hub.

Cause 5 The hardware of the print server is in an abnormal condition.

Remedy Report the problems to your local authorized Canon dealer.

The printer stopped printing during a job.

Cause There is data remaining in the memory (the ⇨ (Job) indicator is on).

Remedy Press the ●—● (Online) key to place the printer offline, then select FORM FEED in the RESET to output all the data remaining in the memory. (See "Canceling a Job," on p. 3-16)

The indicators on the control panel do not come on.

Cause 1 The printer is not ON.

Remedy Turn the printer ON.

Cause 2 The printer is in Power Save Mode.

Remedy The printer will be ready to print after you send print data or press any key on the control panel.

The keys on the control panel do not function.

Cause There is data remaining in the memory (the ⇨ (Job) indicator is on).

Remedy Press the ●—● (Online) key to place the printer offline, then select FORM FEED in the RESET menu. (See "Canceling a Job," on p. 3-16)

A paper jam occurs each time you print.

Cause 1 The amount of the paper loaded in the paper cassette exceeds the load limitation.

Remedy Reduce the amount of paper to within the load limitation and print again. (See "Loading Paper in the Paper Cassette," on p. 4-17)

Cause 2 Paper is not loaded properly in the paper cassette or multi-purpose tray.

Remedy Load the paper properly and print again. (See "Loading Paper in the Paper Cassette," on p. 4-17, "Loading Paper in the Multi-purpose Tray," on p. 4-33)

Cause 3 Unusable paper is loaded in the paper cassette or multi-purpose tray.

Remedy Replace the paper with one that can be used and print again. (See "Paper Requirements," on p. 4-2)

Cause 4 You are using UFR II Printer Driver, and you loaded custom paper of its long edges 215.9 mm or less and printed when TRAY PAPER SIZE, CASSETTE1 SIZE, or CASSETTE2 SIZE in the FEEDER MENU options in the SETUP menu was set to MIXED SIZE.

Remedy Load the paper in landscape orientation, then print again.

Cause 5 When UFR II Printer Driver was not used, non-standard size paper was loaded in the landscape orientation to print.

Remedy Load the paper in portrait orientation, then print again.

Cause 6 There is still jammed paper inside the printer.

Remedy Remove any jammed paper and print again. (See "Paper Jams," on p. 8-4)

Problems with the Printout Results

Unreadable characters are printed.

Cause 1 The setting for the print mode is not appropriate.

Remedy Fix the print mode at the appropriate one for the print data and print again. (See "MODE SELECTION," on p. 6-36)

Cause 2 The data is printed from Windows without the supplied printer driver installed for Windows.

Remedy Install the supplied printer driver for Windows, then print again. (See Driver Guide)

Cause 3 The printer setting in the DOS application is not appropriate.

Remedy Specify the printer setting in the DOS application to the one that is compatible with this printer. (See Driver Guide)

A blank page cannot be printed.

Cause PAPER SAVE is set to ON.

Remedy When printing a blank page, set PAPER SAVE (p. 6-40, p. 6-45) to OFF.

The last page cannot be printed.

Cause The command that notifies of the end of the data is not sent from the computer (the ↵ (Job) indicator is on).

Remedy Press the ●—● (Online) key to place the printer offline, then select FORM FEED in the RESET menu (If you print using an application that does not have a printing function, the last page in which data is less than one page remains in the memory). (See "Canceling a Job," on p. 3-16)

The data lies outside the paper.

Cause 1 You are using UFR II Printer Driver, and you loaded custom paper of its long edges 215.9 mm or less and printed when TRAY PAPER SIZE, CASSETTE1 SIZE, or CASSETTE2 SIZE in the FEEDER MENU options in the SETUP menu was set to MIXED SIZE.

Remedy Load the paper in landscape orientation, then print again.

Cause 2 When UFR II Printer Driver was not used, non-standard size paper was loaded in the landscape orientation to print.

Remedy Load the paper in portrait orientation, then print again.

Cause 3 Paper of the size smaller than the data size is loaded.

Remedy Load the paper of the size that matches the data size or print the data in the reduced size that matches the paper size. (See Driver Guide)

Cause 4 The position of the paper is incorrect.

Remedy Load the paper properly and print again. (See "Loading Paper in the Paper Cassette," on p. 4-17, "Loading Paper in the Multi-purpose Tray," on p. 4-33)

Cause 5 A document with no margins was printed.

Remedy 1 Secure a margin around the data so that it fits within Printable Area (See p. 4-6), then print again.

Remedy 2 If you select the [Print with Upper Left of Sheet as Starting Point] check box in the [Finishing Details] dialog box in UFR II Printer Driver, the printer prints with its printable area expanded. However, data may be printed with the edges missing.

Cause 6 The printing position has been adjusted in ADJ.START POS. in the USER MAIN. options in the SETUP menu.

Remedy Adjust the printing position to an appropriate value using ADJ.START POS. in the USER MAIN. options in the SETUP menu. (See "Adjusting the Printing Position," on p. 7-22)

The printing position is skewed.

Cause 1 GUTTER, OFFSET Y, or OFFSET X in the LAYOUT MENU options in the SETUP menu is specified.

Remedy Set GUTTER, OFFSET Y, or OFFSET X in the LAYOUT MENU options in the SETUP menu to "0", and then print again.

Cause 2 "Top Margin" and "Paper Position" in the application are not specified properly.

Remedy Specify the settings for "Top Margin" and "Paper Position" in the application properly, and then print again. (See the instruction manual supplied with your application)

Cause 3 The printing position has been adjusted in ADJ.START POS. in the USER MAIN. options in the SETUP menu.

Remedy Adjust the printing position to an appropriate value using ADJ.START POS. in the USER MAIN. options in the SETUP menu. (See "Adjusting the Printing Position," on p. 7-22)

The next page is printed from halfway across the previous page.

Cause "Line Spacing" or "Lines/Page" in the application is not specified properly.

Remedy Specify the settings for "Line Spacing" and "Lines/Page" in the application so that data fits in one page, and print again. (See the instruction manual supplied with your application)

Data is printed with its size reduced.

Cause The printer is set to reduce the print size.

Remedy Confirm the setting for [Manual Scaling] in the printer driver. (See Driver Guide)

Paper comes out wrinkled.

Cause 1 Paper is loaded in the paper cassette or multi-purpose tray at an angle.

Remedy Load the paper in the paper cassette or multi-purpose tray straight. (See "Loading Standard Size Paper," on p. 4-20, "Loading Paper (Other than Envelopes)," on p. 4-35)

Cause 2 Paper is damp since the paper has been stored in unsuitable condition.

Remedy Replace the paper with new one and print again. (See "Paper Requirements," on p. 4-2)

Paper curls.

Cause 1 Paper is damp since the paper has been stored in unsuitable condition.

Remedy Replace the paper with new one and print again. (See "Paper Requirements," on p. 4-2)

Cause 2 Paper is inappropriate.

Remedy Replace the paper with one that can be used with this printer. (See "Paper Requirements," on p. 4-2)

Cause 3 The paper is too thin.

Remedy Set [Paper Type] to [Plain Paper L] in the printer driver.
In order to specify the setting for [Paper Type], display the [Paper Source] sheet.

Cause 4 Paper that curls easily is output to the face-down output tray.

Remedy When printing transparencies or envelopes that curl easily, switch an output tray to the face-up output slot. (See "Output Trays," on p. 4-13)

Nothing is printed on the paper.

Cause 1 The toner cartridge was installed with the sealing tape still attached.

Remedy Take the toner cartridge out of the printer, pull out the sealing tape, and reinstall the toner cartridge. (See "Replacing the Toner Cartridge," on p. 7-2)

Cause 2 Multiple sheets of paper were fed at a time.

Remedy Align the paper stack in the paper cassette properly and load it again. (See "Loading Paper in the Paper Cassette," on p. 4-17)

Cause 3 A problem has occurred inside the printer.

Remedy 1 If <Ennn-nnnn> is displayed in the display, turn the power OFF, wait for 10 seconds or longer, and then turn the power ON again. This may clear the message.

Remedy 2 If the message does not disappear even after applying the Remedy 1, contact your local Canon dealer for servicing.

White dust is attached to the printed transparencies.

Cause **The transparencies were printed just after another type of paper was printed continuously.**

Remedy If you print transparencies after printing paper other than transparency continuously, chipped paper may attach to the transparencies when they are output. In this case, wipe and remove the chipped paper with a soft cloth.

Print Quality Problems

White streaks appear.

Cause 1 Toner in the toner cartridge is running out.

Remedy Take the toner cartridge out of the printer, shake it gently 5 or 6 times to evenly distribute the toner, and then reinstall the toner cartridge. If this does not solve the problem, replace the toner cartridge with a new one. (See "Replacing the Toner Cartridge," on p. 7-2)

Cause 2 The drum in the toner cartridge has deteriorated.

Remedy Replace the toner cartridge with a new one. (See "Replacing the Toner Cartridge," on p. 7-2)

Printed pages have white specks.

Cause 1 Appropriate paper is not being used.

Remedy Replace the paper with one that can be used and print again. (See "Paper Requirements," on p. 4-2)

Cause 2 Paper is damp since the paper has been stored in unsuitable condition.

Remedy Replace the paper with new one and print again. (See "Paper Requirements," on p. 4-2)

Cause 3 The drum in the toner cartridge has deteriorated.

Remedy Replace the toner cartridge with a new one. (See "Replacing the Toner Cartridge," on p. 7-2)

The overall print result is faint.

Cause 1 The setting for the toner density is not appropriate.

Remedy Adjust DENSITY (See p. 6-25) in the QUALITY MENU options in the SETUP menu.

Cause 2 TONER SAVE in the QUALITY MENU options in the SETUP menu is set to ON.

Remedy Set TONER SAVE (See p. 6-25) in the QUALITY MENU options in the SETUP menu to OFF.

The overall print result is dark.

Cause 1 The setting for the toner density is not appropriate.

Remedy Adjust DENSITY (See p. 6-25) in the QUALITY MENU options in the SETUP menu.

Cause 2 The printer is exposed to direct sunlight or strong light.

Remedy Move the printer to a place where it will not be exposed to direct sunlight or strong light. Alternatively, move the strong light source away from the printer.

The print is uneven.

Cause 1 Toner in the toner cartridge is running out.

Remedy Take the toner cartridge out of the printer, shake it gently 5 or 6 times to evenly distribute the toner, and then reinstall the toner cartridge. If this does not solve the problem, replace the toner cartridge with a new one. (See "Replacing the Toner Cartridge," on p. 7-2)

Cause 2 Paper is too moist or too dry.

Remedy Replace the paper with appropriate one and print again. (See "Paper Requirements," on p. 4-2)

Cause 3 The toner cartridge has deteriorated or is damaged.

Remedy Replace the toner cartridge with a new one. (See "Replacing the Toner Cartridge," on p. 7-2)

The front or back of the printed paper has smudge marks

Cause The fixing roller is dirty.

Remedy Clean the fixing roller. (See "Cleaning the Fixing Roller," on p. 7-19)

A portion of a page is not printed.

Cause 1 The scale factor is incorrect.

Remedy 1 Clear the [Manual Scaling] check box in the printer driver. If the check box is cleared, the scale factor will be set according to [Page Size] and [Output Size] automatically.
In order to specify the setting for [Manual Scaling], display the [Page Setup] sheet.

Remedy 2 Select the [Manual Scaling] check box in the printer driver, then specify an appropriate scale factor according to the paper size to be used. In order to specify the setting for [Manual Scaling], display the [Page Setup] sheet.

Cause 2 **The position of the paper is incorrect.**

Remedy Load the paper properly. (See "Loading Standard Size Paper," on p. 4-20, "Loading Paper (Other than Envelopes)," on p. 4-35)

Cause 3 **A document with no margins was printed.**

Remedy Secure a margin around the data so that it fits within Printable Area (See p. 4-6), then print again.

The paper is printed completely black.

Cause **The drum in the toner cartridge has deteriorated.**

Remedy Replace the toner cartridge with a new one. (See "Replacing the Toner Cartridge," on p. 7-2)

Vertical streaks appear on the printed paper.

Cause 1 **The toner cartridge was replaced, or the printer has not printed for a long period of time.**

Remedy Set [Special Print Adjustment B] to [Mode 1] in the printer driver. If the problem is not solved by specifying [Mode 1], specify [Mode 2]. If the problem is not solved by specifying [Mode 2], specify [Mode 3]. In order to specify the setting for [Special Print Adjustment B], display the following dialog box.

- For UFR II Printer Driver: Display the [Advanced Settings] dialog box by clicking [Finishing Details] in the [Finishing] sheet, then clicking [Advanced Settings] in the [Finishing Details] dialog box.
- For PCL Printer Driver: Display the [Finishing Details] dialog box by clicking [Finishing Details] in the [Finishing] sheet.



IMPORTANT

- Selecting [Off] may also avoid vertical streaks appearing on the printed paper. In this case, specify [Off].
- If [Special Print Adjustment B] is specified, printing speed may drop.

Cause 2 **Depending on the paper type or the operating environment, vertical streaks may appear on the printed paper.**

Remedy 1 Replace the paper with new paper in an unopened package. (See "Paper Requirements," on p. 4-2)

- Remedy 2** Set SP.PRINT ADJ A (See p. 6-39) in the USER MAIN. options in the SETUP menu to MODE 2.
If the problem is not solved by specifying MODE 2, specify MODE 3.
If the problem is not solved by specifying MODE 3, specify MODE 4.

 **IMPORTANT**

- Resetting the setting to MODE 1 due to change in paper type or operating environment may also avoid vertical streaks appearing on the printed paper. In this case, specify MODE 1.
- Vertical streaks are alleviated by specifying MODE 2, MODE 3, or MODE 4. However, this decreases print density compared to when MODE 1 is specified. This may also make outlines appear to be blurred or slightly jagged.

 **NOTE**

You can also specify the setting for SP.PRINT ADJ A in [Special Print Adjustment A] in the printer driver.

Toner does not fix well.

Cause Paper is inappropriate.

Remedy Replace the paper with one that can be used with this printer. (See "Paper Requirements," on p. 4-2)

The back of the printed paper has smudge marks.

Cause The size of the print data was larger than that of the loaded paper.

Remedy Check if the size of the print data matches that of the loaded paper.

Installing the Optional Accessories

9

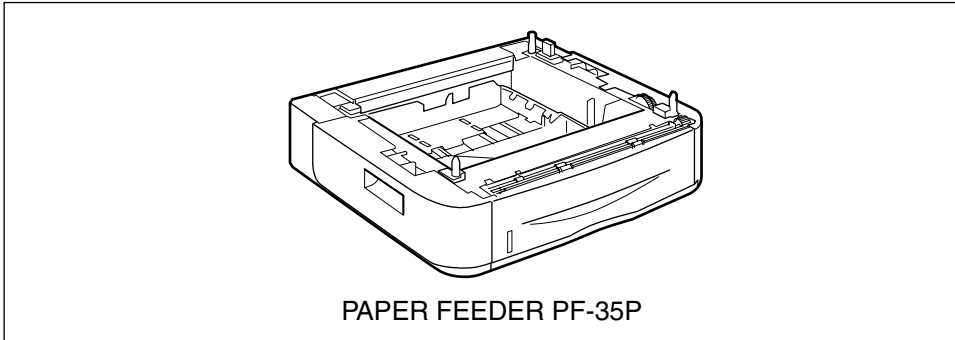
CHAPTER

This chapter describes the procedures for installing the optional accessories on the printer.

Installing the Paper Feeder	9-2
Moving the Printer	9-3
Removing the Packing Materials and Installing the Paper Feeder	9-7

Installing the Paper Feeder

The paper feeder is to be installed at the bottom of the printer unit.

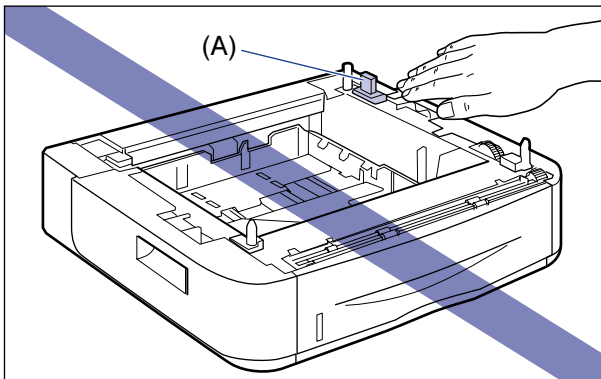


WARNING

Be sure to turn the printer OFF, unplug the power plug, and then disconnect all the interface cables and power cord from the printer before installing the paper feeder. Otherwise, the power cord or interface cables may be damaged, resulting in a fire or electrical shock.

IMPORTANT

- Do not touch the connector (A) in the paper feeder. This may result in damage to the printer or misfeeds.



- If you are printing from Cassette 2, make sure that Cassette 1 is set before printing. If you print from Cassette 2 when Cassette 1 is not set, this will cause paper jams.

 **NOTE**

Load paper in the paper feeder in the same manner as you load paper in Cassette 1. For more details, see "Chapter 4 Loading and Outputting Paper".

Moving the Printer

When installing the paper feeder in the printer after installing the printer, move the printer to an appropriate location temporarily using the following procedure.

 **WARNING**

Be sure to turn the printer and computer OFF, unplug the power plug, and then disconnect all the interface cables from the printer before moving the printer. Otherwise, the power cord or interface cables may be damaged, resulting in a fire or electrical shock.

 **CAUTION**

Do not carry the printer with the paper cassette attached. If you do so, the paper cassette may drop resulting in personal injury.

1 Perform the following procedure.

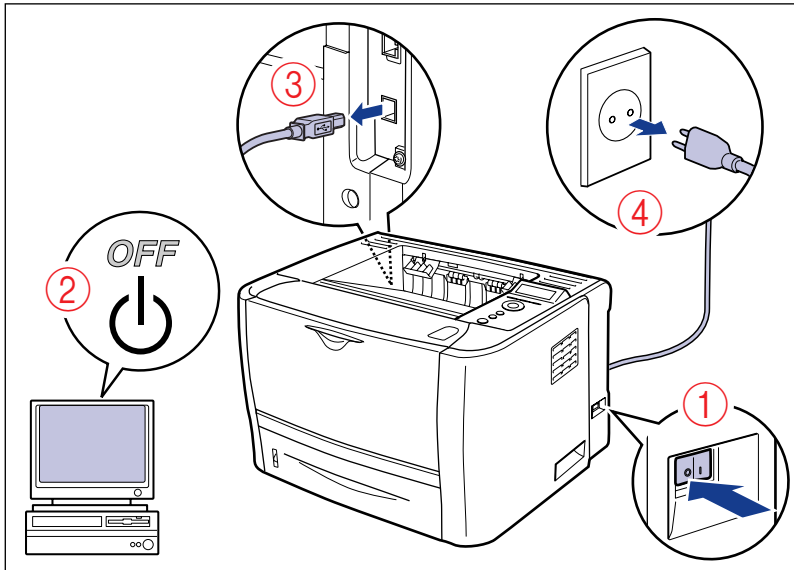
Turn the printer OFF ①.

If a USB cable is connected, turn the computer off ②, and then disconnect the USB cable ③.

Disconnect the power plug from the AC power outlet ④.

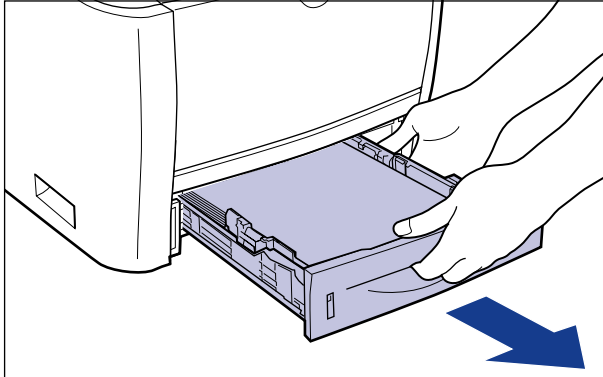
It is recommended that you shut down the printer before turning it OFF. (See "Shutting Down the Printer," on p. 3-4)

If you are using WSD, the shutdown notifies the computer that the printer is turned OFF.



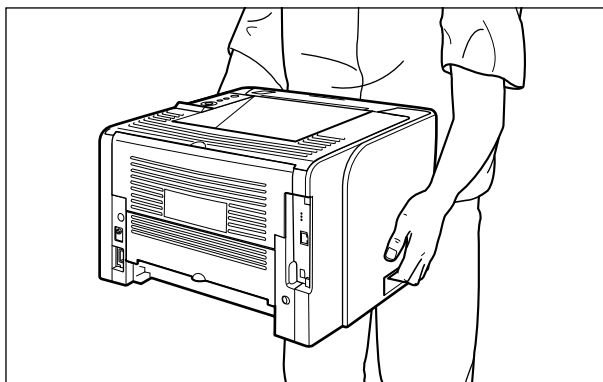
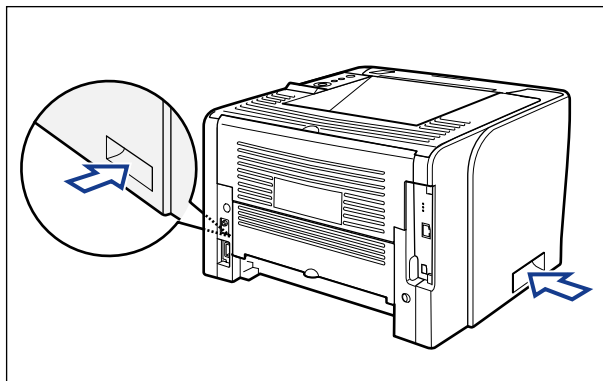
2 Remove all the interface cables and the power cord from the printer.

3 Pull out the paper cassette.



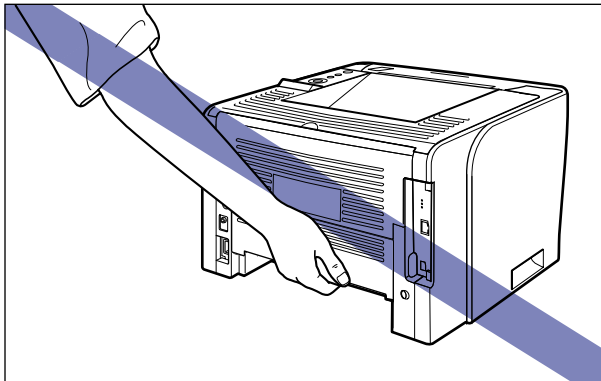
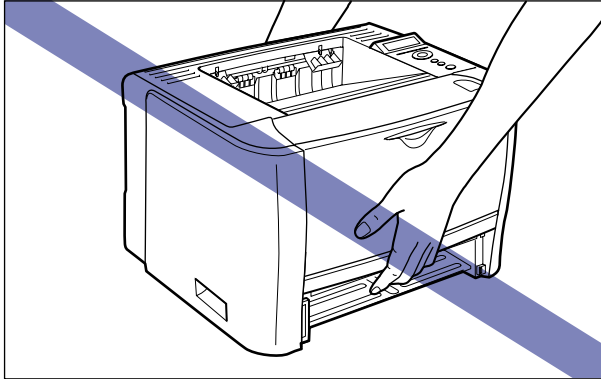
4 Move the printer unit from the installation site.

From the front side, securely hold the printer by the lift handles located on the lower portion of the printer with both hands.

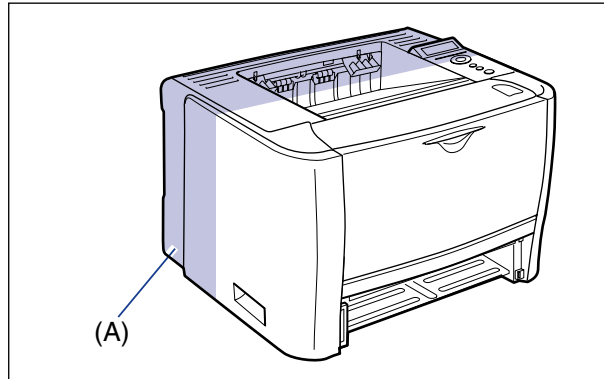


CAUTION

- This printer weighs approximately 11.2 kg without the paper cassette installed. Please be careful not to hurt your back or other portions of your body when carrying the printer.
- Be sure not to hold the printer by the front portion, back portion, or any portions other than the lift handles. If you do so, you may drop the printer, resulting in personal injury.



- The back portion (A) of the printer is relatively heavy. Be careful not to get off-balanced when lifting the printer. If you do so, you may drop the printer, resulting in personal injury.



IMPORTANT

Make sure that the front cover and multi-purpose tray are closed before carrying the printer.

Removing the Packing Materials and Installing the Paper Feeder

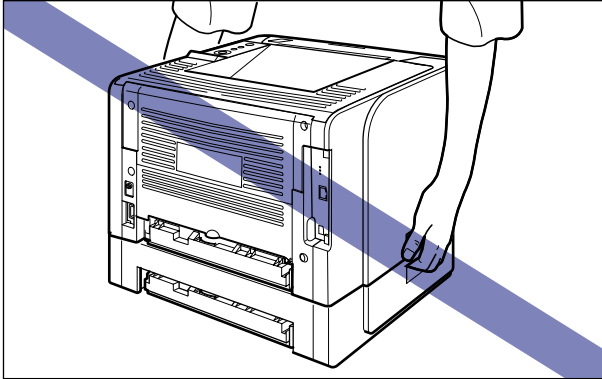
The paper feeder is to be installed at the bottom of the printer unit.



CAUTION

- Put the printer or paper feeder down slowly and carefully. Be careful not to hurt your hands.
- Do not carry the printer with the paper cassette attached. If you do so, the paper cassette may drop resulting in personal injury.

- Do not carry the printer with the paper feeder installed. If you do so, the paper feeder may drop resulting in personal injury.



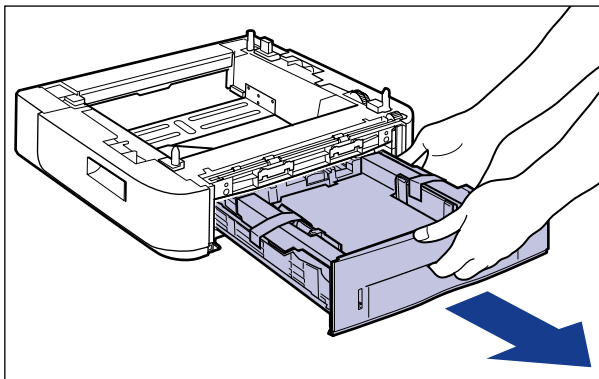
 **IMPORTANT**

- If there is any packing material remaining inside the paper feeder, this may result in misfeeds or damage to the printer when operating the printer. Be sure to remove all the packing materials following the procedure.
- The removed packing materials are required when transporting the printer for relocation or maintenance. Keep them where they will not get lost.

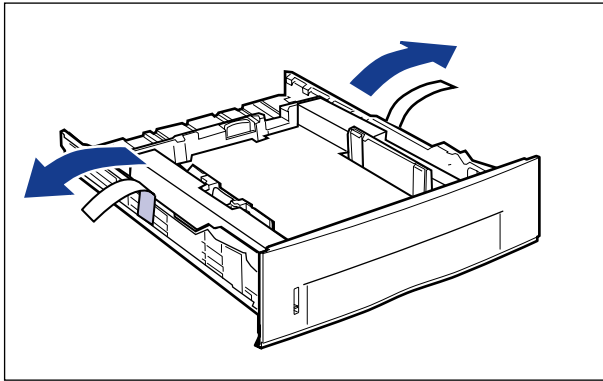
 **NOTE**

The packing materials may be changed in form or position to be placed, or may be added or removed without notice.

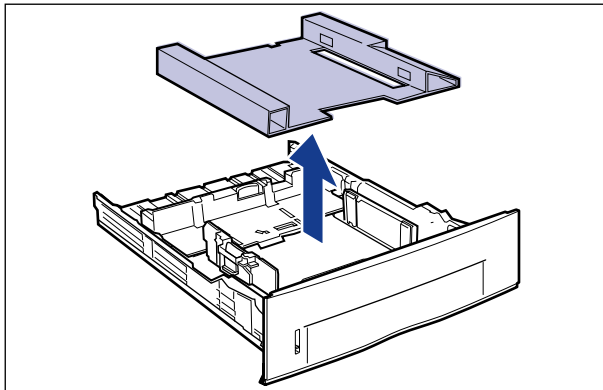
1 Pull out the paper cassette.



- 2** Remove the tape that is securing the packing material in the paper cassette (2 locations).

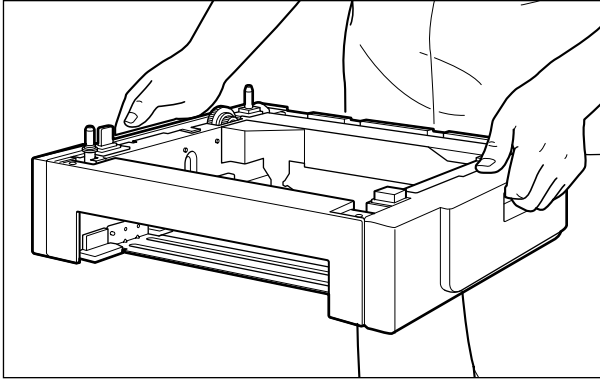


- 3** Remove the packing material in the paper cassette.



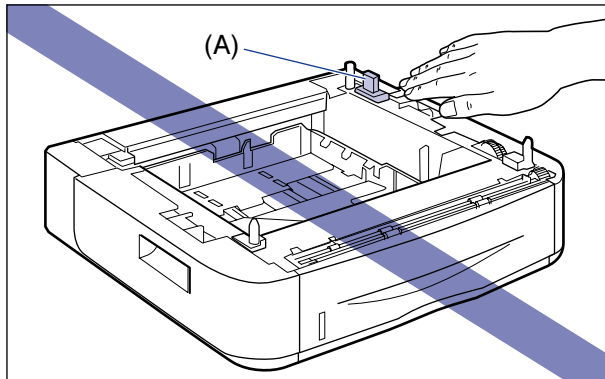
4 Place the paper feeder at the installation site.

When carrying the paper feeder, hold the lift handles on both sides with both hands as shown in the figure.



IMPORTANT

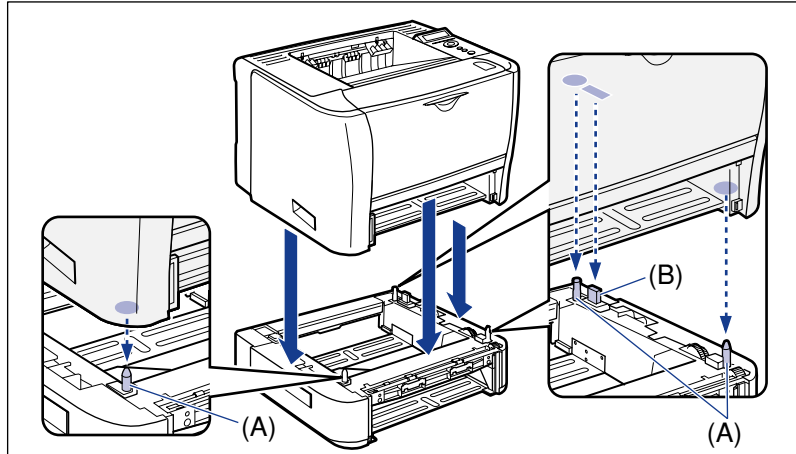
- Do not touch the connector (A) in the paper feeder. This may result in damage to the printer or misfeeds.



- Do not install the paper feeder on a platform that may warp from the weight of the printer and optional accessories, or where the printer is liable to sink (such as a carpet or mat).
- Secure sufficient space around the paper feeder so that you can install the printer and connect cords such as the power cord and interface cables.

5 When installing the printer unit on the paper feeder, gently set it down so that each surface of the printer unit is flush with the front or side surfaces of the paper feeder.

Also, match the positioning pins (A) and connector (B) when setting the printer unit.



IMPORTANT

If the printer unit cannot be placed on the paper feeder properly, lift the printer unit once, hold it horizontally, and place it again. If you try to set the printer unit forcefully without lifting it, the connector and positioning pins may be broken.

6 Set the paper cassette in the printer unit and paper feeder.

CAUTION

When setting the paper cassette, be careful not to catch your fingers.

7 Connect the interface cables except for the USB cable, and connect the power cord.

8 Plug the power plug into the AC power outlet.

9 Connect the USB cable.

IMPORTANT

Be sure to turn the printer ON once when loading paper in the paper cassette for the first time after installing the paper feeder.

 **NOTE**

After installing the paper feeder, you have to specify the settings for the optional accessories in the [Device Settings] sheet in the printer driver. You can obtain information about the status of the optional accessories automatically by clicking [Get Device Status] in the [Device Settings] sheet.

If you cannot obtain the status of the optional accessories of the printer automatically, select the installed optional accessories from [Paper Source Options].

This chapter describes the contents of the various lists, printer specifications, and index.

The Lists Common to All the Settings in the Print Mode	10-2
The Lists Common to Certain Settings in the Print Mode.	10-5
Typeface Samples	10-6
Scalable Fonts (PCL)	10-6
Bitmapped Fonts (PCL)	10-7
Symbol Sets Supported	10-8
Character Code Tables	10-8
ISO Substitution Tables	10-27
Specifications	10-31
Hardware Specifications	10-31
Controller Specifications	10-33
Software Specifications	10-34
Dimensions of Each Part	10-35
Index	10-37

The Lists Common to All the Settings in the Print Mode


This section describes the lists common to all the settings in the print mode.

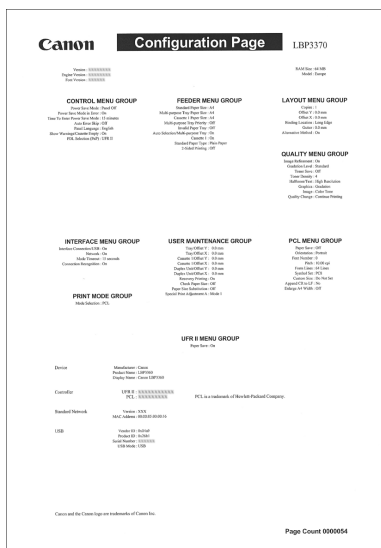
IMPORTANT

The following lists are samples. The contents may partially differ from the lists printed by your printer.

Configuration Page


The capacity of the built-in RAM and the settings for the common printing environment are printed.

1. Make sure that the printer is online.
2. Press the  (Utility) key to display the UTILITY menu.
3. Press [▶] to display CONFIG.PAGE.
4. Press [OK] to output the page.



Network Status Print


Prints the version number of the print server equipped with this printer and the settings.

1. Make sure that the printer is online.
2. Press the  (Utility) key to display the UTILITY menu.
3. Press [▶] to display NW STATUS PRINT.
4. Press [OK] to output the page.

Canon		NETWORK STATUS PRINT		LBP3370	
Network Print Server					
Ethernet Client Setting	On	Zone	--		
Auto Connect	Off	SNMP Support	Off		
TCP/IP Settings	2008.08.01.00.16	SNMP Server	Off		
IP v.4	On	Web Proxy	Off		
Use DHCP	Off	Workgroup Name	---		
Use BOOTP	Off				
IP Address	192.168.0.100	SNMP v.1 Support	On		
Subnet Mask	255.255.0.0	SNMP v.1 IP	On		
P. 0	0.0.0.0	Community Name 1	Public		
P. 1	0.0.0.0	SNMP v.2 Support	Off		
Community Name	Off	SNMP v.2 IP	Off		
Management Address	Off	Community Name 1	Public		
P. 0	0.0.0.0	SNMP v.2 Community Name	Off		
P. 1	0.0.0.0				
P. 2	0.0.0.0				
P. 3	0.0.0.0				
P. 4	0.0.0.0				
P. 5	0.0.0.0				
P. 6	0.0.0.0				
P. 7	0.0.0.0				
P. 8	0.0.0.0				
P. 9	0.0.0.0				
P. 10	0.0.0.0				
P. 11	0.0.0.0				
P. 12	0.0.0.0				
P. 13	0.0.0.0				
P. 14	0.0.0.0				
P. 15	0.0.0.0				
P. 16	0.0.0.0				
P. 17	0.0.0.0				
P. 18	0.0.0.0				
P. 19	0.0.0.0				
P. 20	0.0.0.0				
P. 21	0.0.0.0				
P. 22	0.0.0.0				
P. 23	0.0.0.0				
P. 24	0.0.0.0				
P. 25	0.0.0.0				
P. 26	0.0.0.0				
P. 27	0.0.0.0				
P. 28	0.0.0.0				
P. 29	0.0.0.0				
P. 30	0.0.0.0				
P. 31	0.0.0.0				
P. 32	0.0.0.0				
P. 33	0.0.0.0				
P. 34	0.0.0.0				
P. 35	0.0.0.0				
P. 36	0.0.0.0				
P. 37	0.0.0.0				
P. 38	0.0.0.0				
P. 39	0.0.0.0				
P. 40	0.0.0.0				
P. 41	0.0.0.0				
P. 42	0.0.0.0				
P. 43	0.0.0.0				
P. 44	0.0.0.0				
P. 45	0.0.0.0				
P. 46	0.0.0.0				
P. 47	0.0.0.0				
P. 48	0.0.0.0				
P. 49	0.0.0.0				
P. 50	0.0.0.0				
P. 51	0.0.0.0				
P. 52	0.0.0.0				
P. 53	0.0.0.0				
P. 54	0.0.0.0				
P. 55	0.0.0.0				
P. 56	0.0.0.0				
P. 57	0.0.0.0				
P. 58	0.0.0.0				
P. 59	0.0.0.0				
P. 60	0.0.0.0				
P. 61	0.0.0.0				
P. 62	0.0.0.0				
P. 63	0.0.0.0				
P. 64	0.0.0.0				
P. 65	0.0.0.0				
P. 66	0.0.0.0				
P. 67	0.0.0.0				
P. 68	0.0.0.0				
P. 69	0.0.0.0				
P. 70	0.0.0.0				
P. 71	0.0.0.0				
P. 72	0.0.0.0				
P. 73	0.0.0.0				
P. 74	0.0.0.0				
P. 75	0.0.0.0				
P. 76	0.0.0.0				
P. 77	0.0.0.0				
P. 78	0.0.0.0				
P. 79	0.0.0.0				
P. 80	0.0.0.0				
P. 81	0.0.0.0				
P. 82	0.0.0.0				
P. 83	0.0.0.0				
P. 84	0.0.0.0				
P. 85	0.0.0.0				
P. 86	0.0.0.0				
P. 87	0.0.0.0				
P. 88	0.0.0.0				
P. 89	0.0.0.0				
P. 90	0.0.0.0				
P. 91	0.0.0.0				
P. 92	0.0.0.0				
P. 93	0.0.0.0				
P. 94	0.0.0.0				
P. 95	0.0.0.0				
P. 96	0.0.0.0				
P. 97	0.0.0.0				
P. 98	0.0.0.0				
P. 99	0.0.0.0				
P. 100	0.0.0.0				
P. 101	0.0.0.0				
P. 102	0.0.0.0				
P. 103	0.0.0.0				
P. 104	0.0.0.0				
P. 105	0.0.0.0				
P. 106	0.0.0.0				
P. 107	0.0.0.0				
P. 108	0.0.0.0				
P. 109	0.0.0.0				
P. 110	0.0.0.0				
P. 111	0.0.0.0				
P. 112	0.0.0.0				
P. 113	0.0.0.0				
P. 114	0.0.0.0				
P. 115	0.0.0.0				
P. 116	0.0.0.0				
P. 117	0.0.0.0				
P. 118	0.0.0.0				
P. 119	0.0.0.0				
P. 120	0.0.0.0				
P. 121	0.0.0.0				
P. 122	0.0.0.0				
P. 123	0.0.0.0				
P. 124	0.0.0.0				
P. 125	0.0.0.0				
P. 126	0.0.0.0				
P. 127	0.0.0.0				
P. 128	0.0.0.0				
P. 129	0.0.0.0				
P. 130	0.0.0.0				
P. 131	0.0.0.0				
P. 132	0.0.0.0				
P. 133	0.0.0.0				
P. 134	0.0.0.0				
P. 135	0.0.0.0				
P. 136	0.0.0.0				
P. 137	0.0.0.0				
P. 138	0.0.0.0				
P. 139	0.0.0.0				
P. 140	0.0.0.0				
P. 141	0.0.0.0				
P. 142	0.0.0.0				
P. 143	0.0.0.0				
P. 144	0.0.0.0				
P. 145	0.0.0.0				
P. 146	0.0.0.0				
P. 147	0.0.0.0				
P. 148	0.0.0.0				
P. 149	0.0.0.0				
P. 150	0.0.0.0				
P. 151	0.0.0.0				
P. 152	0.0.0.0				
P. 153	0.0.0.0				
P. 154	0.0.0.0				
P. 155	0.0.0.0				
P. 156	0.0.0.0				
P. 157	0.0.0.0				
P. 158	0.0.0.0				
P. 159	0.0.0.0				
P. 160	0.0.0.0				
P. 161	0.0.0.0				
P. 162	0.0.0.0				
P. 163	0.0.0.0				
P. 164	0.0.0.0				
P. 165	0.0.0.0				
P. 166	0.0.0.0				
P. 167	0.0.0.0				
P. 168	0.0.0.0				
P. 169	0.0.0.0				
P. 170	0.0.0.0				
P. 171	0.0.0.0				
P. 172	0.0.0.0				
P. 173	0.0.0.0				
P. 174	0.0.0.0				
P. 175	0.0.0.0				
P. 176	0.0.0.0				
P. 177	0.0.0.0				
P. 178	0.0.0.0				
P. 179	0.0.0.0				
P. 180	0.0.0.0				
P. 181	0.0.0.0				
P. 182	0.0.0.0				
P. 183	0.0.0.0				
P. 184	0.0.0.0				
P. 185	0.0.0.0				
P. 186	0.0.0.0				
P. 187	0.0.0.0				
P. 188	0.0.0.0				
P. 189	0.0.0.0				
P. 190	0.0.0.0				
P. 191	0.0.0.0				
P. 192	0.0.0.0				
P. 193	0.0.0.0				
P. 194	0.0.0.0				
P. 195	0.0.0.0				
P. 196	0.0.0.0				
P. 197	0.0.0.0				
P. 198	0.0.0.0				
P. 199	0.0.0.0				
P. 200	0.0.0.0				
P. 201	0.0.0.0				
P. 202	0.0.0.0				
P. 203	0.0.0.0				
P. 204	0.0.0.0				
P. 205	0.0.0.0				
P. 206	0.0.0.0				
P. 207	0.0.0.0				
P. 208	0.0.0.0				
P. 209	0.0.0.0				
P. 210	0.0.0.0				
P. 211	0.0.0.0				
P. 212	0.0.0.0				
P. 213	0.0.0.0				
P. 214	0.0.0.0				
P. 215	0.0.0.0				
P. 216	0.0.0.0				
P. 217	0.0.0.0				
P. 218	0.0.0.0				
P. 219	0.0.0.0				
P. 220	0.0.0.0				
P. 221	0.0.0.0				
P. 222	0.0.0.0				
P. 223	0.0.0.0				
P. 224	0.0.0.0				
P. 225	0.0.0.0				
P. 226	0.0.0.0				
P. 227	0.0.0.0				
P. 228	0.0.0.0				
P. 229	0.0.0.0				
P. 230	0.0.0.0				
P. 231	0.0.0.0				
P. 232	0.0.0.0				
P. 233	0.0.0.0				
P. 234	0.0.0.0				
P. 235	0.0.0.0				
P. 236	0.0.0.0				
P. 237	0.0.0.0				
P. 238	0.0.0.0				
P. 239	0.0.0.0				
P. 240	0.0.0.0				
P. 241	0.0.0.0				
P. 242	0.0.0.0				
P. 243	0.0.0.0				
P. 244	0.0.0.0				
P. 245	0.0.0.0				
P. 246	0.0.0.0				
P. 247	0.0.0.0				
P. 248	0.0.0.0				
P. 249	0.0.0.0				
P. 250	0.0.0.0				
P. 251	0.0.0.0				
P. 252	0.0.0.0				
P. 253	0.0.0.0				
P. 254	0.0.0.0				
P. 255	0.0.0.0				
P. 256	0.0.0.0				
P. 257	0.0.0.0			</	

Device Log List

Prints logs for error messages or service calls. Also, if a paper jam occurs, its occurrence area and time are printed.

1. Make sure that the printer is online.
2. Press the  (Utility) key to display the UTILITY menu.
3. Press [▶] to display DEVICE LOG LIST.
4. Press [OK] to print.

Canon		Device Log List				LBP3370		
Log 1								
Number	Date	Time	Code	Total Printed Pgs.				
Log 2								
Number	Date	Time	Time	Code	Total Printed Pgs.	Size	Type	
01	00000000	02:56	02:59	3994	0000000	02	03	
Log 3								
Number Date Time Time Code Total Printed Pgs.								
Log 4								
Number Date Time Time Code Total Printed Pgs.								

The Lists Common to Certain Settings in the Print Mode


This section describes the lists common to certain settings in the print mode.

IMPORTANT

The following list is a sample. The contents may partially differ from the lists printed by your printer.

PCL Fonts List

A list of the fonts that can be used in the PCL mode is printed.

1. Make sure that the printer is online.
2. Press the  (Utility) key to display the UTILITY menu.
3. Press [▶] to display PCL UTILITY.
4. Press [OK] to display Exclusive Utilities for PCL.
5. Press [▶] to display FONTS LIST.
6. Press [OK] to output the page.

FONTS LIST							PAGE 001
PCL Internal Fonts							
Font Name	Symbol	Spacing	Style	Stroke	Flags/Point	Typeface	Sample
[000] Courier	0	0	0	0	4096	Available	ABCDEFGHIJKLMNPQRSTUWVXYZ
[001] CS Times	1	0	0	0	4101	Available	ABCDEFGHIJKLMNPQRSTUWVXYZ
[002] CS Times Bold	1	0	0	0	4101	Available	ABCDEFGHIJKLMNPQRSTUWVXYZ
[003] CS Times Italic	1	0	1	0	4101	Available	ABCDEFGHIJKLMNPQRSTUWVXYZ
[004] CS Times Bold Italic	1	0	1	0	4101	Available	ABCDEFGHIJKLMNPQRSTUWVXYZ
[005] CS Omega	1	1	0	0	4110	Available	ABCDEFGHIJKLMNPQRSTUWVXYZ
[006] CS Omega Bold	1	0	0	0	4113	Available	ABCDEFGHIJKLMNPQRSTUWVXYZ
[007] CS Omega Italic	1	0	1	0	4113	Available	ABCDEFGHIJKLMNPQRSTUWVXYZ
[008] CS Omega Bold Italic	1	0	1	0	4113	Available	ABCDEFGHIJKLMNPQRSTUWVXYZ
[009] Courier	1	1	0	0	4118	Available	ABCDEFGHIJKLMNPQRSTUWVXYZ
[010] Classroom Condensed Bold	1	0	0	0	4140	Available	ABCDEFGHIJKLMNPQRSTUWVXYZ
[011] Univers Medium	1	0	0	0	4148	Available	ABCDEFGHIJKLMNPQRSTUWVXYZ
[012] Univers Bold	1	0	0	0	4148	Available	ABCDEFGHIJKLMNPQRSTUWVXYZ
[013] Univers Medium Italic	1	0	1	0	4148	Available	ABCDEFGHIJKLMNPQRSTUWVXYZ
[014] Univers Bold Italic	1	0	1	0	4148	Available	ABCDEFGHIJKLMNPQRSTUWVXYZ
[015] Univers Condensed Medium	1	0	0	0	4148	Available	ABCDEFGHIJKLMNPQRSTUWVXYZ
[016] Univers Condensed Bold	1	0	0	0	4148	Available	ABCDEFGHIJKLMNPQRSTUWVXYZ
[017] Univers Condensed Medium Italic	1	0	1	0	4148	Available	ABCDEFGHIJKLMNPQRSTUWVXYZ
[018] Univers Condensed Bold Italic	1	0	1	0	4148	Available	ABCDEFGHIJKLMNPQRSTUWVXYZ
[019] Antique Olive	1	0	0	0	4148	Available	ABCDEFGHIJKLMNPQRSTUWVXYZ
[020] Antique Olive Bold	1	0	0	0	4148	Available	ABCDEFGHIJKLMNPQRSTUWVXYZ
[021] Antique Olive Italic	1	0	1	0	4148	Available	ABCDEFGHIJKLMNPQRSTUWVXYZ
[022] Sanswood Antique	0	0	0	0	4187	Available	ABCDEFGHIJKLMNPQRSTUWVXYZ
[023] Sanswood Handset	0	0	0	0	4187	Available	ABCDEFGHIJKLMNPQRSTUWVXYZ
[024] Sanswood Runway	1	0	0	0	4187	Available	ABCDEFGHIJKLMNPQRSTUWVXYZ

Typeface Samples

The fonts lists printed from the UTILITY menu are a comprehensive listing of all fonts currently available. The listing contains the names and print samples of the fonts stored on the printer.

Scalable Fonts (PCL)

Courier	ABCDEFGHIJKLMNOPQRSTUVWXYZ
CG Times	ABCDEFGHIJKLMNOPQRSTUVWXYZ
CG Times Bold	ABCDEFGHIJKLMNOPQRSTUVWXYZ
CG Times Italic	<i>ABCDEFGHIJKLMNOPQRSTUVWXYZ</i>
CG Times Bold Italic	<i>ABCDEFGHIJKLMNOPQRSTUVWXYZ</i>
CG Omega	ABCDEFGHIJKLMNOPQRSTUVWXYZ
CG Omega Bold	ABCDEFGHIJKLMNOPQRSTUVWXYZ
CG Omega Italic	<i>ABCDEFGHIJKLMNOPQRSTUVWXYZ</i>
CG Omega Bold Italic	<i>ABCDEFGHIJKLMNOPQRSTUVWXYZ</i>
Coronet	<i>ABCDEFGHIJKLMNOPQRSTUVWXYZ</i>
Clarendon Condensed Bold	ABCDEFGHIJKLMNOPQRSTUVWXYZ
Univers Medium	ABCDEFGHIJKLMNOPQRSTUVWXYZ
Univers Bold	ABCDEFGHIJKLMNOPQRSTUVWXYZ
Univers Medium Italic	<i>ABCDEFGHIJKLMNOPQRSTUVWXYZ</i>
Univers Bold Italic	<i>ABCDEFGHIJKLMNOPQRSTUVWXYZ</i>
Univers Condensed Medium	ABCDEFGHIJKLMNOPQRSTUVWXYZ
Univers Condensed Bold	ABCDEFGHIJKLMNOPQRSTUVWXYZ
Univers Condensed Medium Italic	<i>ABCDEFGHIJKLMNOPQRSTUVWXYZ</i>
Univers Condensed Bold Italic	<i>ABCDEFGHIJKLMNOPQRSTUVWXYZ</i>
Antique Olive	ABCDEFGHIJKLMNOPQRSTUVWXYZ
Antique Olive Bold	ABCDEFGHIJKLMNOPQRSTUVWXYZ
Antique Olive Italic	<i>ABCDEFGHIJKLMNOPQRSTUVWXYZ</i>
Garamond Antique	ABCDEFGHIJKLMNOPQRSTUVWXYZ
Garamond Halbfett	ABCDEFGHIJKLMNOPQRSTUVWXYZ
Garamond Kursiv	<i>ABCDEFGHIJKLMNOPQRSTUVWXYZ</i>

Symbol Sets Supported

This section provides a list to the character code tables for the characters in each symbol set.

Character Code Tables

■ Roman-8 (8U)

	0	1	2	3	4	5	6	7	8	9	A	B	C	D	E	F
0			0	@	P	'	p					̄	à	Á	Á	Þ
1		!	1	A	Q	a	q				À	Ý	é	î	Ã	þ
2		"	2	B	R	b	r				Â	ý	ó	ø	ã	·
3		#	3	C	S	c	s				È	°	ú	Æ	Ð	μ
4		\$	4	D	T	d	t				É	Ç	á	á	ð	¶
5		%	5	E	U	e	u				Ë	ç	é	í	Í	¾
6		&	6	F	V	f	v				Ï	Ñ	ó	ø	Ì	–
7		'	7	G	W	g	w				Ī	ñ	ú	æ	Ó	¼
8		(8	H	X	h	x				ˆ	ı	à	Ä	Ò	½
9)	9	I	Y	i	y				˘	ı	è	ı	Õ	ª
A		*	:	J	Z	j	z				ˆ	ı	ò	Ö	õ	°
B		+	;	K	[k	{				ˆ	ı	ù	Û	Š	«
C		,	<	L	\	l					ˆ	ı	ä	É	š	■
D		-	=	M]	m	}				Û	ş	ë	ı	Ú	»
E		.	>	N	^	n	~				Û	f	ö	ß	ÿ	±
F		/	?	O	_	o	☒				£	c	ü	Ó	ÿ	

■ Roman-9 (4U)

	0	1	2	3	4	5	6	7	8	9	A	B	C	D	E	F
0			0	@	P	´	p					-	á	Á	Á	Ð
1		!	1	A	Q	a	q				À	Ý	é	í	Ã	þ
2		"	2	B	R	b	r				Â	ý	ó	ø	ã	·
3		#	3	C	S	c	s				È	°	û	Æ	Ð	μ
4		\$	4	D	T	d	t				Ê	Ç	á	â	ð	¶
5		%	5	E	U	e	u				Ë	ç	é	í	Í	‰
6		&	6	F	V	f	v				Î	Ñ	ó	ø	Ì	-
7		'	7	G	W	g	w				Ï	ñ	ú	æ	Ó	¼
8		(8	H	X	h	x				´	ì	à	Ä	Ö	½
9)	9	I	Y	i	y				˘	ï	è	ì	Ö	ª
A		*	:	J	Z	j	z				^	€	ò	Õ	õ	º
B		+	;	K	[k	{				¨	£	ù	Û	Š	«
C		,	<	L	\	l					˘	¥	ä	É	š	■
D		-	=	M]	m	}				Ù	§	ë	ï	Ú	»
E		.	>	N	^	n	~				Û	f	ö	ß	ÿ	±
F		/	?	O	_	o	☒				£	c	ü	Ó	ÿ	

■ ISO 8859/1 Latin 1 (0N)

	0	1	2	3	4	5	6	7	8	9	A	B	C	D	E	F
0			0	@	P	´	p				°	À	Ð	à	ð	
1		!	1	A	Q	a	q				¡	±	Á	Ñ	á	ñ
2		"	2	B	R	b	r				¢	²	Â	Ò	â	ò
3		#	3	C	S	c	s				£	³	Ã	Ó	ã	ó
4		\$	4	D	T	d	t				¤	˘	Ä	Ö	ä	ö
5		%	5	E	U	e	u				¥	μ	Å	Õ	å	õ
6		&	6	F	V	f	v				¦	¶	Æ	Ö	æ	ö
7		'	7	G	W	g	w				§	·	Ç	×	ç	÷
8		(8	H	X	h	x				¨	˙	È	Ø	è	ø
9)	9	I	Y	i	y				©	ı	É	Ù	é	ù
A		*	:	J	Z	j	z				ª	º	Ê	Ú	ê	ú
B		+	;	K	[k	{				«	»	Ë	Û	ë	û
C		,	<	L	\	l					¬	¼	Ì	Ü	ì	ü
D		-	=	M]	m	}				-	½	Í	Ý	í	ý
E		.	>	N	^	n	~				®	¾	Î	Þ	î	þ
F		/	?	O	_	o	☒				˘	¿	Ï	ß	ï	ÿ

■ ISO 8859/2 Latin 2 (2N)

	0	1	2	3	4	5	6	7	8	9	A	B	C	D	E	F
0			0	@	P	`	p				°	Ř	Ď	ř	ď	
1		!	1	A	Q	a	q				À	á	Á	Ñ	á	ñ
2		"	2	B	R	b	r				˘	˘	Á	Ñ	á	ñ
3		#	3	C	S	c	s				Ł	ł	Ā	Ó	ā	ó
4		\$	4	D	T	d	t				□	˘	Ā	Ó	ā	ó
5		%	5	E	U	e	u				Ł	ł	Ĺ	Ō	ĺ	ō
6		&	6	F	V	f	v				Š	š	Č	Ö	š	ö
7		'	7	G	W	g	w				§	˘	Ç	×	ç	÷
8		(8	H	X	h	x				˘	˘	Č	Ř	č	ř
9)	9	I	Y	i	y				Š	š	É	Û	é	ú
A		*	:	J	Z	j	z				Ş	ş	E	Ú	e	ú
B		+	;	K	[k	{				Ť	ť	Ě	Ů	ě	ů
C		,	<	L	\	l					Ž	ž	Ě	Ů	ě	ů
D		-	=	M]	m	}				-	˘	Í	Ý	í	ý
E		.	>	N	^	n	~				Ž	ž	Í	Ť	í	ť
F		/	?	O	_	o	☒				Ž	ž	Ď	Ě	ď	ě

■ ISO 8859/9 Latin 5 (5N)

	0	1	2	3	4	5	6	7	8	9	A	B	C	D	E	F
0			0	@	P	`	p				°	À	Ĝ	à	ğ	
1		!	1	A	Q	a	q				ı	±	Á	Ñ	á	ñ
2		"	2	B	R	b	r				ç	²	Á	Ò	á	ò
3		#	3	C	S	c	s				£	³	Ā	Ó	ā	ó
4		\$	4	D	T	d	t				□	˘	Ā	Ó	ā	ó
5		%	5	E	U	e	u				¥	μ	Á	Õ	á	õ
6		&	6	F	V	f	v				ı	¶	Æ	Ö	æ	ö
7		'	7	G	W	g	w				§	˘	Ç	×	ç	÷
8		(8	H	X	h	x				˘	˘	È	Ø	è	ø
9)	9	I	Y	i	y				©	ı	É	Û	é	ù
A		*	:	J	Z	j	z				ª	º	Ê	Ú	e	ú
B		+	;	K	[k	{				«	»	Ë	Û	ë	ü
C		,	<	L	\	l					¬	¼	Ï	Û	ï	ü
D		-	=	M]	m	}				-	½	Í	Í	í	ı
E		.	>	N	^	n	~				®	¾	Í	Ş	ı	ş
F		/	?	O	_	o	☒				-	¿	İ	ß	ı	ÿ

■ ISO 8859/15 Latin 9 (9N)

	0	1	2	3	4	5	6	7	8	9	A	B	C	D	E	F
0			0	@	P	`	p				°	À	Ð	à	ð	
1		!	1	A	Q	a	q			ı	±	Á	Ñ	á	ñ	
2		"	2	B	R	b	r			ç	²	Â	Ò	â	ò	
3		#	3	C	S	c	s			£	³	Ã	Ó	ã	ó	
4		\$	4	D	T	d	t			€	Ž	Ä	Ô	ä	ô	
5		%	5	E	U	e	u			¥	μ	Å	Ö	å	ö	
6		&	6	F	V	f	v			Š	¶	Æ	Ï	æ	ï	
7		'	7	G	W	g	w			§	·	Ç	×	ç	÷	
8		(8	H	X	h	x			š	ž	È	Ø	è	ø	
9)	9	I	Y	i	y			©	ı	É	Ù	é	ù	
A		*	:	J	Z	j	z			ª	º	Ê	Ú	ê	ú	
B		+	;	K	[k	{			«	»	Ë	Û	ë	û	
C		,	<	L	\	l				¬	œ	Ï	Ü	ï	ü	
D		-	=	M]	m	}			-	α	Í	Ý	í	ý	
E		.	>	N	^	n	~			®	ÿ	Î	Þ	ı	þ	
F		/	?	O	_	o	~			-	ı	İ	ß	ı	ÿ	

■ PC-8, Code Page 437 (10U)

	0	1	2	3	4	5	6	7	8	9	A	B	C	D	E	F
0		▶		0	@	P	`	p	Ç	É	á	⋮	⊥	⊥	α	≡
1	☉	◀	!	1	A	Q	a	q	ü	æ	í	☒	⊥	⊥	β	±
2	☼	‡	"	2	B	R	b	r	é	Æ	ó	☒	⊥	⊥	Γ	≥
3	♥	!!	#	3	C	S	c	s	â	ô	ú		⊥	⊥	π	≤
4	♦	¶	\$	4	D	T	d	t	ä	ö	ñ	⊥	—	⊥	Σ	∫
5	♣	§	%	5	E	U	e	u	à	ò	Ñ	⊥	+	⊥	σ	∫
6	♠	—	&	6	F	V	f	v	â	û	ª	⊥	⊥	⊥	μ	÷
7	•	‡	'	7	G	W	g	w	ç	ù	º	⊥	⊥	⊥	τ	≈
8	◼	↑	(8	H	X	h	x	ê	ÿ	ı	⊥	⊥	⊥	Φ	°
9	◊	↓)	9	I	Y	i	y	ë	Ö	ı	⊥	⊥	⊥	θ	·
A	◉	→	*	:	J	Z	j	z	è	Û	ı	⊥	⊥	⊥	Ω	·
B	♂	←	+	;	K	[k	{	ı	ç	½	⊥	⊥	⊥	δ	√
C	♀	⊥	,	<	L	\	l		ı	£	¼	⊥	⊥	⊥	∞	n
D	♪	↔	-	=	M]	m	}	ı	¥	ı	⊥	⊥	⊥	φ	²
E	♫	▲	.	>	N	^	n	~	Ä	Pt	«	⊥	⊥	⊥	ε	▪
F	☼	▼	/	?	O	_	o	~	Å	f	»	⊥	⊥	⊥	∩	

■ PC-8 D/N, Danish/Norwegian (11U)

	0	1	2	3	4	5	6	7	8	9	A	B	C	D	E	F
0	▶	0	@	P	`	p	Ç	É	á	⋮	⊥	⊥	α	≡		
1	☺	◀	!	1	A	Q	a	q	ü	æ	í	☒	⊥	⊥	β	±
2	☹	⬆	"	2	B	R	b	r	é	Æ	ó	☒	⊥	⊥	Γ	≥
3	♥	!!	#	3	C	S	c	s	â	ô	ú		⊥	⊥	π	≤
4	♦	¶	\$	4	D	T	d	t	ä	ö	ñ	⊥	⊥	⊥	Σ	∫
5	♣	§	%	5	E	U	e	u	à	ò	Ñ	⊥	⊥	⊥	σ	∫
6	♠	−	&	6	F	V	f	v	â	û	ö	⊥	⊥	⊥	μ	÷
7	•	⬆	'	7	G	W	g	w	ç	ù	Ö	⊥	⊥	⊥	τ	≈
8	■	↑	(8	H	X	h	x	ê	ÿ	¿	⊥	⊥	⊥	Φ	°
9	○	↓)	9	I	Y	i	y	ë	Ö	ä	⊥	⊥	⊥	Θ	·
A	☑	→	*	:	J	Z	j	z	è	Û	Ä	⊥	⊥	⊥	Ω	·
B	♂	←	+	;	K	[k	{	ï	ø	ℓ	⊥	⊥	■	δ	√
C	♀	⊥	,	<	L	\	l		î	£	'n	⊥	⊥	■	∞	n
D	♫	↔	-	=	M]	m	}	ì	Ø	í	⊥	⊥	■	φ	²
E	♫	▲	.	>	N	^	n	˘	Ä	L	³	⊥	⊥	■	ε	▪
F	☼	▼	/	?	O	_	o	△	Ä	f	□	⊥	⊥	■	∩	

■ PC-850, Multilingual (12U)

	0	1	2	3	4	5	6	7	8	9	A	B	C	D	E	F
0	▶	0	@	P	`	p	Ç	É	á	⋮	⊥	ð	Ó	-		
1	☺	◀	!	1	A	Q	a	q	ü	æ	í	☒	⊥	Ð	β	±
2	☹	⬆	"	2	B	R	b	r	é	Æ	ó	☒	⊥	Ê	Ó	_
3	♥	!!	#	3	C	S	c	s	â	ô	ú		⊥	Ë	Ò	¼
4	♦	¶	\$	4	D	T	d	t	ä	ö	ñ	⊥	⊥	È	ø	¶
5	♣	§	%	5	E	U	e	u	à	ò	Ñ	Á	⊥	ı	Ö	§
6	♠	−	&	6	F	V	f	v	â	û	ª	Ä	ā	Í	μ	÷
7	•	⬆	'	7	G	W	g	w	ç	ù	º	À	Ã	Î	þ	,
8	■	↑	(8	H	X	h	x	ê	ÿ	¿	⊙	⊥	Ï	þ	°
9	○	↓)	9	I	Y	i	y	ë	Ö	®	⊥	⊥	⊥	Ú	"
A	☑	→	*	:	J	Z	j	z	è	Û	⊥	⊥	⊥	⊥	Û	·
B	♂	←	+	;	K	[k	{	ï	ø	½	⊥	⊥	■	Û	¹
C	♀	⊥	,	<	L	\	l		î	£	¼	⊥	⊥	■	ý	³
D	♫	↔	-	=	M]	m	}	ì	Ø	í	⊥	⊥	⊥	Ý	²
E	♫	▲	.	>	N	^	n	˘	Ä	×	«	¥	⊥	⊥	Ï	˘
F	☼	▼	/	?	O	_	o	△	Ä	f	»	⊥	⊥	■	˘	

■ PC-858, Multilingual with Euro (13U)

	0	1	2	3	4	5	6	7	8	9	A	B	C	D	E	F
0	▶		0	@	P	`	p	Ç	É	á	⋮	⌂	ð	Ó	-	
1	☺	◀	!	1	A	Q	a	q	ü	æ	í	☒	⌂	Ð	ß	±
2	☛	⬇	"	2	B	R	b	r	é	Æ	ó	☒	⌂	Ê	Ô	₪
3	♥	!!	#	3	C	S	c	s	â	ô	ú		⌂	Ë	Ò	¼
4	♦	¶	\$	4	D	T	d	t	ä	ö	ñ	⌂	⌂	È	õ	¶
5	♣	§	%	5	E	U	e	u	à	ò	Ñ	Á	+	€	Ö	§
6	♠	—	&	6	F	V	f	v	á	û	ª	Á	ā	Í	μ	÷
7	•	⬆	'	7	G	W	g	w	ç	ù	º	À	Ã	Î	þ	,
8	■	↑	(8	H	X	h	x	ê	ÿ	¿	©	⌂	Ï	þ	°
9	○	↓)	9	I	Y	i	y	ë	Ö	®	≡	≡	⌂	Ú	ˆ
A	◼	→	*	:	J	Z	j	z	è	Û	¬		≡	⌂	Û	·
B	♂	←	+	;	K	[k	{	ï	ø	½	≡	≡	■	Ü	¹
C	♀	⌂	,	<	L	\	l		î	£	¼	≡	≡	■	Ý	³
D	♪	↔	-	=	M]	m	}	ì	Ø	ì	©	≡		Ý	²
E	♫	▲	.	>	N	^	n	˘	Ä	×	«	Y	≡	ì	-	■
F	☼	▼	/	?	O	_	o	△	Á	f	»	⌂	□	■	'	

■ PC-852, Latin 2 (17U)

	0	1	2	3	4	5	6	7	8	9	A	B	C	D	E	F
0	▶		0	@	P	`	p	Ç	É	á	⋮	⌂	đ	Ó	-	
1	☺	◀	!	1	A	Q	a	q	ü	Í	í	☒	⌂	Ð	ß	ˆ
2	☛	⬇	"	2	B	R	b	r	é	Í	ó	☒	⌂	Đ	Ó	ˆ
3	♥	!!	#	3	C	S	c	s	â	ô	ú		⌂	Ë	Ñ	˘
4	♦	¶	\$	4	D	T	d	t	ä	ö	À	⌂	⌂	đ	ñ	˘
5	♣	§	%	5	E	U	e	u	ú	Ł	ą	Á	+	Ñ	ñ	§
6	♠	—	&	6	F	V	f	v	ć	Ź	Ż	Á	Ā	Í	Š	÷
7	•	⬆	'	7	G	W	g	w	ç	Ś	ź	È	ă	Î	š	,
8	■	↑	(8	H	X	h	x	ł	ś	Ę	Ś	⌂	ě	Ř	°
9	○	↓)	9	I	Y	i	y	ë	Ö	e	≡	≡	⌂	Ú	ˆ
A	◼	→	*	:	J	Z	j	z	Ó	Û			≡	⌂	ř	
B	♂	←	+	;	K	[k	{	ó	Ť	ž	≡	≡	■	Ů	ů
C	♀	⌂	,	<	L	\	l		î	ť	Č	≡	≡	■	ý	Ř
D	♪	↔	-	=	M]	m	}	ž	Ł	ś	Ž	≡	⌂	Ý	ř
E	♫	▲	.	>	N	^	n	˘	Ä	×	«	ž	≡	Ů	ř	■
F	☼	▼	/	?	O	_	o	△	Ć	č	»	⌂	□	■	'	

■ PC-Turkish (9T)

	0	1	2	3	4	5	6	7	8	9	A	B	C	D	E	F
0		▶		0	@	P	`	p	Ç	É	á	⋮	⊥	⊥	α	≡
1	☺	◀	!	1	A	Q	a	q	ü	æ	í	⊞	⊥	⊥	β	±
2	☹	⬇	"	2	B	R	b	r	é	Æ	ó	⊞	⊥	⊥	Γ	≥
3	♥	!!	#	3	C	S	c	s	â	ô	ú		⊥	⊥	π	≤
4	♦	¶	\$	4	D	T	d	t	ä	ö	ñ	⊥	⊥	⊥	Σ	∫
5	♣	§	%	5	E	U	e	u	à	ò	Ñ	⊥	⊥	⊥	σ	∫
6	♠	-	&	6	F	V	f	v	â	û	Ğ	⊥	⊥	⊥	μ	÷
7	•	‡	'	7	G	W	g	w	ç	ù	ğ	⊥	⊥	⊥	τ	≈
8	◼	↑	(8	H	X	h	x	ê	î	ı	⊥	⊥	⊥	Φ	°
9	◊	↓)	9	I	Y	i	y	ë	ö	ı	⊥	⊥	⊥	Θ	·
A	◼	→	*	:	J	Z	j	z	è	ü	ı	⊥	⊥	⊥	Ω	·
B	♂	←	+	;	K	[k	{	ï	ç	½	⊥	⊥	⊥	δ	√
C	♀	⊥	,	<	L	\	l		î	£	¼	⊥	⊥	⊥	∞	π
D	♫	↔	-	=	M]	m	}	ı	¥	ı	⊥	⊥	⊥	φ	²
E	♯	▲	.	>	N	^	n	˘	Ä	Ş	<	⊥	⊥	⊥	ε	▪
F	⊗	▼	/	?	O	_	o	△	Â	ş	>	⊥	⊥	⊥	∩	

■ Windows 3.1 Latin 1 (19U)

	0	1	2	3	4	5	6	7	8	9	A	B	C	D	E	F
0				0	@	P	`	p	€		°	À	Ð	à	ð	
1			!	1	A	Q	a	q		'	ı	±	Á	Ñ	á	ñ
2			"	2	B	R	b	r	,	'	ç	²	Â	Ò	â	ò
3			#	3	C	S	c	s	f	“	£	³	Ã	Ó	ã	ó
4			\$	4	D	T	d	t	„	”	¤	´	Ä	Ô	ä	ô
5			%	5	E	U	e	u	...	•	¥	μ	Å	Ö	å	ö
6			&	6	F	V	f	v	†	-		¶	Æ	Ö	æ	ö
7			'	7	G	W	g	w	‡	—	§	·	Ç	×	ç	÷
8			(8	H	X	h	x	^	˘	”	,	È	Ø	è	ø
9)	9	I	Y	i	y	‰	™	®	ı	É	Û	é	ù
A			*	:	J	Z	j	z	Š	š	ª	º	Ê	Ú	ê	ú
B			+	;	K	[k	{	<	>	«	»	Ë	Û	ë	û
C			,	<	L	\	l		Œ	œ	¬	¼	Ï	Û	ï	ü
D			-	=	M]	m	}			-	½	Í	Ý	í	ý
E			.	>	N	^	n	˘	Ž	ž	®	¾	Î	Þ	î	þ
F			/	?	O	_	o	⊞	ÿ	˘		¿	İ	ß	ï	ÿ

■ Windows 3.1 Latin 2 (9E)

	0	1	2	3	4	5	6	7	8	9	A	B	C	D	E	F
0			0	@	P	`	p	€			°	Ř	Đ	ř	đ	
1		!	1	A	Q	a	q		‘	˘	±	Á	Ñ	á	ñ	
2		"	2	B	R	b	r	,	'	˘	˘	Â	Ń	â	ń	
3		#	3	C	S	c	s		“	”	Ł	ł	Ă	Ó	ă	ó
4		\$	4	D	T	d	t	„	”	□	´	Ä	Ö	ä	ö	
5		%	5	E	U	e	u	...	•	Α	μ	Í	Ó	í	ó	
6		&	6	F	V	f	v	†	-		¶	Ć	Ö	ć	ö	
7		'	7	G	W	g	w	‡	—	§	·	Ç	×	ç	÷	
8		(8	H	X	h	x				˘	Č	Ř	č	ř	
9)	9	I	Y	i	y	‰	™	©	α	É	Û	é	ù	
A		*	:	J	Z	j	z	Š	š	Ş	ş	E	Ú	e	ú	
B		+	;	K	[k	{	<	>	«	»	È	Û	è	ü	
C		,	<	L	\	l		Ś	ś	¬	Ł	É	Û	é	ü	
D		-	=	M]	m	}	Ť	ť	-	˘	Í	Ý	í	ý	
E		.	>	N	^	n	~	Ž	ž	®	İ	İ	T	t		
F		/	?	O	_	o	⌘	Ž	ž	Ž	z	Đ	ß	đ	·	

■ Windows 3.1 Latin 5 (5T)

	0	1	2	3	4	5	6	7	8	9	A	B	C	D	E	F
0			0	@	P	`	p	€			°	À	Ğ	à	ğ	
1		!	1	A	Q	a	q		‘	˘	±	Á	Ñ	á	ñ	
2		"	2	B	R	b	r	,	'	˘	˘	Â	Ò	â	ò	
3		#	3	C	S	c	s	f	“	”	£	³	Ă	Ó	ă	ó
4		\$	4	D	T	d	t	„	”	□	´	Ä	Ö	ä	ö	
5		%	5	E	U	e	u	...	•	Υ	μ	Á	Ö	á	ö	
6		&	6	F	V	f	v	†	-		¶	Æ	Ö	æ	ö	
7		'	7	G	W	g	w	‡	—	§	·	Ç	×	ç	÷	
8		(8	H	X	h	x	^	˘	˘	˘	È	Ø	è	ø	
9)	9	I	Y	i	y	‰	™	©	ı	É	Û	é	ù	
A		*	:	J	Z	j	z	Š	š	α	°	Ê	Û	ê	ú	
B		+	;	K	[k	{	<	>	«	»	È	Û	è	ü	
C		,	<	L	\	l		Œ	œ	¬	¼	Ï	Û	ï	ü	
D		-	=	M]	m	}			-	½	Í	Í	í	ı	
E		.	>	N	^	n	~			®	¾	İ	Ş	ı	ş	
F		/	?	O	_	o	⌘	ÿ	˘	˘	˘	İ	ß	ı	ÿ	

■ DeskTop (7J)

	0	1	2	3	4	5	6	7	8	9	A	B	C	D	E	F
0			0	@	P	'	p				“	—	<	ª	´	
1		!	1	A	Q	a	q				¶	”	±	>	º	˘
2		"	2	B	R	b	r				§	µ	×	«	æ	^
3		#	3	C	S	c	s				†	%	÷	»	Æ	”
4		\$	4	D	T	d	t				‡	•	°	,	ð	˜
5		%	5	E	U	e	u				©	●	,	„	Ð	˘
6		&	6	F	V	f	v				®	◦	”	·	ij	˘
7		'	7	G	W	g	w				™	○	¼	i	IJ	˘
8		(8	H	X	h	x				%	■	½	¿	í	°
9)	9	I	Y	i	y				¢	■	¾	Pt	L	´
A		*	:	J	Z	j	z				-	□	¹	ℓ	œ	-
B		+	;	K	[k	{				—	□	²	£	Œ	,
C		,	<	L	\	l					...	'	³	¥	ø	˘
D		-	=	M]	m	}				fi	¬	/	¤	Ø	˘
E		.	>	N	^	n	~				fl			f	þ	ı
F		/	?	O	_	o	⊞				=			ß	Ɔ	

■ PS Text (10J)

	0	1	2	3	4	5	6	7	8	9	A	B	C	D	E	F
0			0	@	P	'	p							—		
1		!	1	A	Q	a	q				ı	-	˘		Æ	æ
2		"	2	B	R	b	r				ç	†	´			
3		#	3	C	S	c	s				£	‡	^		ª	
4		\$	4	D	T	d	t				/	·	-			
5		%	5	E	U	e	u				¥		-			ı
6		&	6	F	V	f	v				f	¶	˘			
7		'	7	G	W	g	w				§	•	·			
8		(8	H	X	h	x				¤	,	”		Ł	ı
9)	9	I	Y	i	y				'	”			Ø	ø
A		*	:	J	Z	j	z				“	”	°		Œ	œ
B		+	;	K	[k	{				<	>	,		°	ß
C		,	<	L	\	l					<	...				
D		-	=	M]	m	}				>	%	”			
E		.	>	N	^	n	~				fi		˘			
F		/	?	O	_	o					fl	¿	˘			

■ Ventura International (13J)

	0	1	2	3	4	5	6	7	8	9	A	B	C	D	E	F
0			0	@	P	'	p			„	‰	â	À	Á	Æ	
1		!	1	A	Q	a	q			À	“	ê	í	Ã	œ	
2		"	2	B	R	b	r			Â	”	ó	Ø	ã	¶	
3		#	3	C	S	c	s			È	°	û	Æ		‡	
4		\$	4	D	T	d	t			Ê	Ç	á	à		‡	
5		%	5	E	U	e	u			Ë	ç	é	í	Í	—	
6		&	6	F	V	f	v			Ï	Ñ	ó	ø	ì	-	
7		'	7	G	W	g	w			Ï	ñ	ú	æ	Ó		
8		(8	H	X	h	x			©	ì	à	Ã	Ò		
9)	9	I	Y	i	y			®	í	è	ì	Õ	ª	
A		*	:	J	Z	j	z			™	¤	ò	Ö	ö	°	
B		+	;	K		k	{			<	£	ù	Û	Š	«	
C		,	<	L	\	l				>	¥	ä	É	š	•	
D		-	=	M]	m	}			Û	§	ë	ï	Ú	»	
E		.	>	N	^	n	~			Û	f	ö	ß	ÿ		
F		/	?	O	_	o					c	ü	Ô	ÿ	...	

■ Ventura US (14J)

	0	1	2	3	4	5	6	7	8	9	A	B	C	D	E	F
0			0	@	P	'	p			„	‰					
1		!	1	A	Q	a	q				“					
2		"	2	B	R	b	r				”					¶
3		#	3	C	S	c	s				°					‡
4		\$	4	D	T	d	t									‡
5		%	5	E	U	e	u									—
6		&	6	F	V	f	v									-
7		'	7	G	W	g	w									
8		(8	H	X	h	x				©					
9)	9	I	Y	i	y				®					
A		*	:	J	Z	j	z				™					
B		+	;	K		k	{									
C		,	<	L	\	l										•
D		-	=	M]	m	}					§				
E		.	>	N	^	n	~									
F		/	?	O	_	o						c				...

■ Microsoft Publishing (6J)

	0	1	2	3	4	5	6	7	8	9	A	B	C	D	E	F
0					²	´					°				Ω	
1		¹									´	•	˘	˙		
2		”			℞						”	•	˘	˙		
3		³			Š	%	š				ˆ	•	ˆ	ˆ		
4		⁴			™						˜	°	˘	˙		
5		⁵										○	˘	˙		¹
6		⁷										○	˘	˙	ll	ij
7		’										■	˘	˙	L	f
8		⁹										■	”	”	L	f
9		⁰			ÿ						fi	■				
A		⁸			Ž	ž					fl	□	°	°		
B		†									ff	□	˘	˙		
C		,	”	L	ℓ						ffi	□				
D		-	‡	—							ffl	%o	˘	˙		
E		…		-	°	“			Pt	◀	◊	˘	˙	˙		
F		/		œ	—	œ			f	›	◊	˘	˙	˙	n	

■ Math-8 (8M)

	0	1	2	3	4	5	6	7	8	9	A	B	C	D	E	F
0			0	∴	∏	∴	π					—	⊕	À	Γ	∟
1		√	1	A	P	α	ρ				↑	v	⊙	→	L	J
2		”	2	B	Σ	β	σ				→	∃	⊗	⊥	{	}
3		°	3	Γ	T	γ	τ				↓	T	⊖	L	{	}
4		∞	4	Δ	T	δ	v				←	⊥	⊗	∃	l	J
5		÷	5	E	Φ	ε	φ				↑	U	∧	f	f	
6		∞	6	Z	X	ζ	χ				⇒	∩	v	f	φ	
7		’	7	H	Ψ	η	ψ				↓	∈	v	∠	J	↓
8		(8	θ	Ω	θ	ω				←	∃	∩	∅	∇	∩
9)	9	I	∇	ι	θ				↓	∅	∩	∞		>
A		×	e	K	θ	κ	φ				↔	C	•	∩	∠	∩
B		+	ε	Λ	ς	λ	σ				↔	∩	•	∩	/	\
C		,	<	M	≤	μ	≈				↔	∩	•	∩	—	<
D		-	=	N	≠	v	≡				↔	∩	∩	∩	=	≠
E		.	>	≠	≥	ξ	≠				↔	∩	∩	∩	*	±
F		/	≈	O	—	o	☒				—	∩	∩	∩	≡	

■ PS Math (5M)

	0	1	2	3	4	5	6	7	8	9	A	B	C	D	E	F
0			0	≅	Π	̄	π				°	∞	∠	◊	€	
1		!	1	A	Θ	α	θ			Υ	±	ℑ	∇	()	
2		√	2	B	P	β	ρ			'	"	℔	⊗	⊙	∫	
3		#	3	X	Σ	χ	σ			≤	≥	∅	⊙	⊙	∫	
4		∃	4	Δ	T	δ	τ			/	×	⊗	™	™		
5		%	5	E	Y	ε	υ			∞	∞	⊕	Π	Σ	∫	
6		&	6	Φ	ς	φ	ω			f	∂	∅	√			
7		∃	7	Γ	Ω	γ	ω			♣	•	∩	·			
8		(8	H	Ξ	η	ξ			♦	÷	∪	¬			
9)	9	I	Ψ	ι	ψ			♥	≠	∩	∧			
A		*	:	∅	Z	φ	ζ			♠	≡	⊇	∨			
B		+	;	K	[κ	{			↔	≈	∅	↔			
C		,	<	Λ	∴	λ				←	...	∩	←			
D		-	=	M		μ	}			↑		≤	↑			
E		.	>	N	⊥	ν	~			→	-	∈	⇒			
F		/	?	O	_	o				↓	←	∉	↓			

■ Ventura Math (6M)

	0	1	2	3	4	5	6	7	8	9	A	B	C	D	E	F
0			0	≅	Π	̄	π				◊	⊗	≤	↓		Π
1		!	1	A	Θ	α	θ				√	∩	♦	←	·	™
2		√	2	B	P	β	ρ				∫	⊇	≥	⊗	∠	⇐
3		#	3	X	Σ	χ	σ				Γ		∂	"	}	⇒
4		∃	4	Δ	T	δ	τ						∞	f		∨
5		%	5	E	Y	ε	υ				∫	♣	'	∑	}	Σ
6		&	6	Φ	ς	φ	ω				∫	⊕	℔	⊙		™
7		∃	7	Γ	Ω	γ	ω					⊗	∅	±)	
8		(8	H	Ξ	η	ξ				↑	≤	∞	→		∫
9)	9	I	Ψ	ι	ψ				⇒	∪	♠	↑	¬	∅
A		*	:	∅	Z	φ	ζ				↓	-	∞	≠	∇	∩
B		+	;	K	[κ	{				∅	...	•	≡		∈
C		,	<	Λ	∴	λ					∩		/	°		⊙
D		-	=	M		μ	}				∫	∧	♥	↔		∉
E		.	>	N	⊥	ν	~					←	×			
F		/	?	O	_	o					}	≈	∫	∫	÷	<

■ PI Font (15U)

	0	1	2	3	4	5	6	7	8	9	A	B	C	D	E	F
0			-	::	∅	┌	┐									
1			√	Δ	∅	┌	┐									
2			”		℞	┌	┐									
3			,	.	Σ	┌	┐									
4			“	↗		+	+									
5			”	↘		+	+									
6			‘	↙	f	-	+									
7			’	↖												
8			<	Δ	ħ	U	U									
9			>	▷		∩	∩									
A			™	▽		┌	┐									
B			SM	△		┌	┐									
C			®	≠	ℒ		□	■								
D			©	§	ℓ]	◇	◆								
E			®	≧		‘										
F			¶		,		☒									

■ Legal (1U)

	0	1	2	3	4	5	6	7	8	9	A	B	C	D	E	F
0			0	@	P	°	p									
1			!	1	A	Q	a	q								
2			”	2	B	R	b	r								
3			#	3	C	S	c	s								
4			\$	4	D	T	d	t								
5			%	5	E	U	e	u								
6			&	6	F	V	f	v								
7			’	7	G	W	g	w								
8			(8	H	X	h	x								
9)	9	I	Y	i	y								
A			*	:	J	Z	j	z								
B			+	;	K	[k	§								
C			,	=	L	®	l	¶								
D			-	=	M	J	m	†								
E			.	¢	N	®	n	™								
F			/	?	O	_	o	☒								

■ Windows 3.0 Latin 1 (9U)

	0	1	2	3	4	5	6	7	8	9	A	B	C	D	E	F
0			0	@	P	`	p	€			°	Á	Đ	à	ð	
1		!	1	A	Q	a	q		‘	ı	±	Á	Ñ	á	ñ	
2		"	2	B	R	b	r		’	ç	²	Â	Ò	â	ò	
3		#	3	C	S	c	s		£	³	³	Ã	Ó	ã	ó	
4		\$	4	D	T	d	t		¤	´	´	Ä	Ô	ä	ô	
5		%	5	E	U	e	u		¥	µ	µ	Å	Ö	å	ö	
6		&	6	F	V	f	v			¶	¶	Æ	Ø	æ	ø	
7		'	7	G	W	g	w		§	·	·	Ç	×	ç	÷	
8		(8	H	X	h	x		"	,	,	È	Ø	è	ø	
9)	9	I	Y	i	y		©	ı	ı	É	Û	é	ù	
A		*	:	J	Z	j	z		ª	º	º	Ê	Ú	ê	ú	
B		+	;	K	[k	{		«	»	»	Ë	Û	ë	û	
C		,	<	L	\	l			¬	¼	¼	Ï	Ü	ï	ü	
D		-	=	M]	m	}		-	½	½	Í	Ý	í	ý	
E		.	>	N	^	n	~		®	¾	¾	Î	Þ	î	þ	
F		/	?	O	_	o	⌘		-	¿	¿	Ï	ß	ï	ÿ	

■ ISO 8859/10 Latin 6 (6N)

	0	1	2	3	4	5	6	7	8	9	A	B	C	D	E	F
0			0	@	P	`	p				°	À	Đ	ā	ð	
1		!	1	A	Q	a	q			À	à	Á	Ñ	á	ñ	
2		"	2	B	R	b	r			È	ē	Â	Ò	â	ò	
3		#	3	C	S	c	s			Ĝ	ĝ	Ã	Ó	ã	ó	
4		\$	4	D	T	d	t			Ī	ī	Ä	Ô	ä	ô	
5		%	5	E	U	e	u			Ĭ	ĭ	Å	Ö	å	ö	
6		&	6	F	V	f	v			Ķ	ķ	Æ	Ø	æ	ø	
7		'	7	G	W	g	w			§	·	ı	Û	ı	ü	
8		(8	H	X	h	x			Ĺ	ĺ	Č	Ø	č	ø	
9)	9	I	Y	i	y			Đ	d	É	Û	é	u	
A		*	:	J	Z	j	z			Š	š	Ê	Ú	ê	ú	
B		+	;	K	[k	{			Ʀ	Ʀ	Ë	Û	ë	û	
C		,	<	L	\	l				Ž	ž	È	Ü	è	ü	
D		-	=	M]	m	}			-	—	Í	Ý	í	ý	
E		.	>	N	^	n	~			Ū	ū	Î	Þ	î	þ	
F		/	?	O	_	o	⌘			Ŋ	ŋ	Ï	ß	ï	κ	

■ PC-775 (26U)

	0	1	2	3	4	5	6	7	8	9	A	B	C	D	E	F
0	▶		0	@	P	`	p	Č	É	Á	⋮	Ł	a	Ó	-	
1	☉	◀	!	1	A	Q	a	q	ü	æ	Ī	☒	Ł	č	ß	±
2	☉	⬆	"	2	B	R	b	r	é	Æ	ó	☒	Ł	e	Ö	“
3	♥	!!	#	3	C	S	c	s	ā	ō	Ž		Ł	é	Ń	¾
4	♦	¶	\$	4	D	T	d	t	ä	ö	z	Ł	-	i	ō	¶
5	♣	§	%	5	E	U	e	u	ğ	Ğ	ž	A	+	š	Ö	§
6	♠	-	&	6	F	V	f	v	â	ç	”	Č	U	u	μ	÷
7	•	⬆	'	7	G	W	g	w	ć	Ś		Ę	Ū	ū	ń	„
8	■	↑	(8	H	X	h	x	ł	ś	°	È	Ł	ž	κ	°
9	○	↓)	9	I	Y	i	y	ē	Ö	°	Ł	Ł	Ł	κ	·
A	☉	→	*	:	J	Z	j	z	Ŕ	Ů	Ł		Ł	Ł	Ł	·
B	♂	←	+	;	K	[k	{	r	ø	½	Ł	Ł	■	ł	¹
C	♀	Ł	,	<	L	\	l		ī	£	¼	Ł	Ł	■	ŋ	³
D	♫	↔	-	=	M]	m	}	Ž	Ø	Ł	Ł	Ł	■	Ě	²
E	♫	▲	.	>	N	^	n	˘	Ä	×	«	Š	Ł	■	Ń	▪
F	☼	▼	/	?	O	_	o	△	Å	□	»	Ł	Ž	■	'	

■ PC-1004 (9J)

	0	1	2	3	4	5	6	7	8	9	A	B	C	D	E	F
0				0	@	P	`	p			°	Á	Đ	à	ò	
1			!	1	A	Q	a	q		'	i	±	Á	Ñ	á	ñ
2			"	2	B	R	b	r	,	'	ç	²	Á	Ò	á	ò
3			#	3	C	S	c	s		“	£	³	Á	Ó	ā	ó
4			\$	4	D	T	d	t	„	”	¤	´	Á	Ô	ä	ô
5			%	5	E	U	e	u	...	•	¥	μ	Á	Õ	á	õ
6			&	6	F	V	f	v	†	-		¶	Æ	Ö	æ	ö
7			'	7	G	W	g	w	‡	-	§	·	Ç	×	ç	÷
8			(8	H	X	h	x	^	˘	”	,	È	Ø	è	ø
9)	9	I	Y	i	y	‰	™	°	ı	É	Û	é	ù
A			*	:	J	Z	j	z	Š	š	ª	°	Ê	Ú	ê	ú
B			+	;	K	[k	{	<	>	«	»	Ë	Û	ë	û
C			,	<	L	\	l		Œ	œ	Ł	¼	Ì	Û	ì	ü
D			-	=	M]	m	}		-	½	Í	Ý	í	ý	
E			.	>	N	^	n	˘		°	¾	Î	Þ	î	þ	
F			/	?	O	_	o	△		ÿ	-	ı	İ	ß	ı	ÿ

■ Windows Baltic (19L)

	0	1	2	3	4	5	6	7	8	9	A	B	C	D	E	F
0			0	@	P	`	p	€			°	Å	Š	ā	š	
1		!	1	A	Q	a	q		‘		±	Ī	Ņ	ī	ņ	
2		"	2	B	R	b	r	,	’	¢	²	Ā	Ņ	ā	ņ	
3		#	3	C	S	c	s		“	£	³	Č	Ó	č	ó	
4		\$	4	D	T	d	t	„	”	¤	´	Ä	Ö	ä	ö	
5		%	5	E	U	e	u	...	•		μ	À	Õ	à	õ	
6		&	6	F	V	f	v	†	-		¶	E	Ö	e	ö	
7		'	7	G	W	g	w	‡	-	§	·	È	×	è	÷	
8		(8	H	X	h	x			∅	ø	Č	U	č	u	
9)	9	I	Y	i	y	‰	™	®	ı	É	Ļ	é	ļ	
A		*	:	J	Z	j	z			Ŕ	ŗ	Ž	Š	ž	š	
B		+	;	K	[k	{	<	>	«	»	È	Ū	è	ū	
C		,	<	L	\	l				¬	¼	G	Ū	g	ū	
D		-	=	M]	m	}	ˆ	-	-	½	Ķ	Ž	ķ	ž	
E		.	>	N	^	n	~	˘		®	¾	Ī	Ž	ī	ž	
F		/	?	O	_	o	⌘	.		Æ	æ	Ļ	β	ļ	.	

■ MC Text (12J)

	0	1	2	3	4	5	6	7	8	9	A	B	C	D	E	F
0			0	@	P	`	p	À	ê	†	∞	ì	-	‡		
1		!	1	A	Q	a	q	Á	ë	°	±	ı	-	·	Ò	
2		"	2	B	R	b	r	Ç	í	¢	≤	¬	“	,	Ú	
3		#	3	C	S	c	s	É	ì	£	≥	√	”	„	Û	
4		\$	4	D	T	d	t	Ñ	î	§	¥	f	‘	‰	Ü	
5		%	5	E	U	e	u	Ö	ï	•	μ	≈	’	Â	ı	
6		&	6	F	V	f	v	Û	ñ	¶	∂	Δ	÷	Ê	ˆ	
7		'	7	G	W	g	w	á	ó	β	Σ	«	◊	Á	˜	
8		(8	H	X	h	x	à	ò	®	Π	»	ÿ	È	-	
9)	9	I	Y	i	y	â	ô	©	π	...	ÿ	È	˘	
A		*	:	J	Z	j	z	ä	ö	™]		/	í	.	
B		+	;	K	[k	{	ā	ō	´	ª	À	€	Í	°	
C		,	<	L	\	l		á	ú	ˆ	°	Á	<	Ī	.	
D		-	=	M]	m	}	ç	ù	≠	Ω	Ö	>	ì	ˆ	
E		.	>	N	^	n	~	é	û	Æ	æ	Œ	fi	Ó	.	
F		/	?	O	_	o		è	ü	∅	ø	œ	fl	Ô	˘	

■ Symbol (19M)

	0	1	2	3	4	5	6	7	8	9	A	B	C	D	E	F
0			0	≡	Π	̄	π				°	ℵ	∠	∅		
1		!	1	A	⊗	α	θ			Υ	±	ℑ	∇	<	>	
2		√	2	B	P	β	ρ			'	"	℥	⊗	⊗	∫	
3		#	3	X	Σ	χ	σ			≤	≥	⊗	⊗	⊗	∫	
4		∃	4	Δ	T	δ	τ			/	×	⊗	™	™		
5		%	5	E	Υ	ε	υ			∞	∞	⊕	Π	Σ	J	
6		&	6	Φ	ς	φ	⊞			f	∂	∅	√	()	
7		∃	7	Γ	Ω	γ	ω			♣	•	∩	·			
8		(8	H	Ξ	η	ξ			♦	+	∩	∩	()	
9)	9	I	Ψ	ι	ψ			♥	≠	∩	∧	[]	
A		*	:	Θ	Z	φ	ζ			♠	≡	∩	∨			
B		+	;	K	[κ	{			↔	≈	∩	↔	[]	
C		,	<	Λ	:	λ				←	...	∩	←	()	
D		-	=	M]	μ	}			↑		∩	↑	{	}	
E		.	>	N	⊥	ν	~			→	—	ε	⇒	∫	∫	
F		/	?	O	_	o				↓	∟	∩	↓			

■ Wingdings (579L)

	0	1	2	3	4	5	6	7	8	9	A	B	C	D	E	F
0				☐	☒	☒	☒	☒	☒	☒	☒	☒	☒	☒	☒	☒
1				☒	☒	☒	☒	☒	☒	☒	☒	☒	☒	☒	☒	☒
2				☒	☒	☒	☒	☒	☒	☒	☒	☒	☒	☒	☒	☒
3				☒	☒	☒	☒	☒	☒	☒	☒	☒	☒	☒	☒	☒
4				☒	☒	☒	☒	☒	☒	☒	☒	☒	☒	☒	☒	☒
5				☒	☒	☒	☒	☒	☒	☒	☒	☒	☒	☒	☒	☒
6				☒	☒	☒	☒	☒	☒	☒	☒	☒	☒	☒	☒	☒
7				☒	☒	☒	☒	☒	☒	☒	☒	☒	☒	☒	☒	☒
8				☒	☒	☒	☒	☒	☒	☒	☒	☒	☒	☒	☒	☒
9				☒	☒	☒	☒	☒	☒	☒	☒	☒	☒	☒	☒	☒
A				☒	☒	☒	☒	☒	☒	☒	☒	☒	☒	☒	☒	☒
B				☒	☒	☒	☒	☒	☒	☒	☒	☒	☒	☒	☒	☒
C				☒	☒	☒	☒	☒	☒	☒	☒	☒	☒	☒	☒	☒
D				☒	☒	☒	☒	☒	☒	☒	☒	☒	☒	☒	☒	☒
E				☒	☒	☒	☒	☒	☒	☒	☒	☒	☒	☒	☒	☒
F				☒	☒	☒	☒	☒	☒	☒	☒	☒	☒	☒	☒	☒

■ Dingbats (14L)

	0	1	2	3	4	5	6	7	8	9	A	B	C	D	E	F	
0				☞	♣	☆	☼	□	(Ⓢ	①	Ⓣ	Ⓤ	Ⓦ	
1			☞	☞	☆	☼	☼)			☞	Ⓢ	②	Ⓣ	Ⓤ	Ⓦ	Ⓧ
2			☞	☞	☼	☼	☼	(☞	Ⓢ	③	Ⓣ	Ⓤ	Ⓦ	Ⓧ
3			☞	☞	☼	☼	☼)			☞	Ⓢ	④	Ⓣ	Ⓤ	Ⓦ	Ⓧ
4			☞	☞	☼	☼	☼	(☞	Ⓢ	⑤	Ⓣ	Ⓤ	Ⓦ	Ⓧ
5			☞	☞	☼	☼	☼)			☞	Ⓢ	⑥	Ⓣ	Ⓤ	Ⓦ	Ⓧ
6			☞	☞	☼	☼	☼	<			☞	Ⓢ	⑦	Ⓣ	Ⓤ	Ⓦ	Ⓧ
7			☞	☞	☼	☼	☼	>			☞	Ⓢ	⑧	Ⓣ	Ⓤ	Ⓦ	Ⓧ
8			☞	☞	☼	☼	☼		(☞	Ⓢ	⑨	Ⓣ	Ⓤ	Ⓦ	Ⓧ
9			☞	☞	☼	☼	☼)		☞	Ⓢ	⑩	Ⓣ	Ⓤ	Ⓦ	Ⓧ
A			☞	☞	☼	☼	☼		(☞	Ⓢ	⑪	Ⓣ	Ⓤ	Ⓦ	Ⓧ
B			☞	☞	☼	☼	☼)		☞	Ⓢ	⑫	Ⓣ	Ⓤ	Ⓦ	Ⓧ
C			☞	☞	☼	☼	☼		(☞	Ⓢ	⑬	Ⓣ	Ⓤ	Ⓦ	Ⓧ
D			☞	☞	☼	☼	☼)		☞	Ⓢ	⑭	Ⓣ	Ⓤ	Ⓦ	Ⓧ
E			☞	☞	☼	☼	☼		(☞	Ⓢ	⑮	Ⓣ	Ⓤ	Ⓦ	Ⓧ
F			☞	☞	☼	☼	☼)		☞	Ⓢ	⑯	Ⓣ	Ⓤ	Ⓦ	Ⓧ

■ PC-860 Portugal (20U)

	0	1	2	3	4	5	6	7	8	9	A	B	C	D	E	F
0		▶	0	@	P	`	p	Ç	Ê	á	⋮	⌒	⌒	α	≡	
1	☺	◀	!	1	A	Q	a	q	ü	Â	í	⊞	⌒	⌒	β	±
2	☹	↕	"	2	B	R	b	r	é	È	ó	⊞	⌒	⌒	Γ	≧
3	♥	!!	#	3	C	S	c	s	â	ô	ú		⌒	⌒	π	≤
4	♦	¶	\$	4	D	T	d	t	ã	õ	ñ	⌒	⌒	⌒	Σ	
5	♣	§	%	5	E	U	e	u	à	ò	Ñ	⌒	⌒	⌒	σ	J
6	♠	-	&	6	F	V	f	v	Á	Ú	ª	⌒	⌒	⌒	μ	÷
7	•	‡	'	7	G	W	g	w	ç	ù	º	⌒	⌒	⌒	τ	≈
8	■	↑	(8	H	X	h	x	ê	Ï	¿	⌒	⌒	⌒	Φ	°
9	○	↓)	9	I	Y	i	y	Ê	Õ	Ò	⌒	⌒	⌒	Θ	·
A	☉	→	*	:	J	Z	j	z	è	Û	⌒	⌒	⌒	⌒	Ω	·
B	♂	←	+	;	K	[k	{	Í	ç	½	⌒	⌒	⌒	δ	√
C	♀	⌒	,	<	L	\	l		Ó	£	¼	⌒	⌒	⌒	∞	n
D	♪	↔	-	=	M]	m	}	Ì	Ù	ì	⌒	⌒	⌒	φ	²
E	♫	▲	.	>	N	^	n	˘	Ã	Þ	«	⌒	⌒	⌒	€	▪
F	☼	▼	/	?	O	_	o	△	Â	Ô	»	⌒	⌒	⌒	∩	

■ PC-865 Norway (25U)

	0	1	2	3	4	5	6	7	8	9	A	B	C	D	E	F
0	▶		0	@	P	`	p	Ç	É	á	⋮	⊥	⊥	α	≡	
1	☺	◀	!	1	A	Q	a	q	ü	æ	í	⊞	⊥	⊥	β	±
2	☹	⬆	"	2	B	R	b	r	é	Æ	ó	⊞	⊥	⊥	Γ	≥
3	♥	!!	#	3	C	S	c	s	â	ô	ú		⊥	⊥	π	≤
4	♦	¶	\$	4	D	T	d	t	ä	ö	ñ	⊥	⊥	⊥	Σ	∫
5	♣	§	%	5	E	U	e	u	à	ò	Ñ	⊥	⊥	⊥	σ	∫
6	♠	-	&	6	F	V	f	v	â	û	ª	⊥	⊥	⊥	μ	+
7	•	‡	'	7	G	W	g	w	ç	ù	º	⊥	⊥	⊥	τ	≈
8	■	↑	(8	H	X	h	x	ê	ÿ	¿	⊥	⊥	⊥	Φ	°
9	○	↓)	9	I	Y	i	y	ë	Ö	⌈	⊥	⊥	⊥	Θ	·
A	◻	→	*	:	J	Z	j	z	è	Û	⌋	⊥	⊥	⊥	Ω	·
B	♂	←	+	;	K	[k	{	ĩ	ø	½	⊥	⊥	⊥	δ	√
C	♀	⊥	,	<	L	\	l		î	£	¼	⊥	⊥	⊥	∞	ⁿ
D	♪	↔	-	=	M]	m	}	ï	Ø	¡	⊥	⊥	⊥	φ	²
E	♫	▲	.	>	N	^	n	˘	Ä	Pt	<	⊥	⊥	⊥	ε	▪
F	⊗	▼	/	?	O	_	o	△	Å	f	¤	⊥	⊥	⊥	∅	∅

■ PC-8 Greek Alternate Code Page 437 (14G)

	0	1	2	3	4	5	6	7	8	9	A	B	C	D	E	F
0	▶		0	@	P	`	p	A	P	ι	⋮	⊥	⊥	ω	Ω	
1	☺	◀	!	1	A	Q	a	q	B	Σ	κ	⊞	⊥	⊥	ά	±
2	☹	⬆	"	2	B	R	b	r	Γ	Τ	λ	⊞	⊥	⊥	έ	≥
3	♥	!!	#	3	C	S	c	s	Δ	Υ	μ		⊥	⊥	ή	≤
4	♦	¶	\$	4	D	T	d	t	E	Φ	ν	⊥	⊥	⊥	ϊ	∫
5	♣	§	%	5	E	U	e	u	Z	X	ξ	⊥	⊥	⊥	ί	∫
6	♠	-	&	6	F	V	f	v	H	Ψ	ο	⊥	⊥	⊥	ό	+
7	•	‡	'	7	G	W	g	w	Θ	Ω	π	⊥	⊥	⊥	ύ	≈
8	■	↑	(8	H	X	h	x	I	α	ρ	⊥	⊥	⊥	ϋ	°
9	○	↓)	9	I	Y	i	y	K	β	σ	⊥	⊥	⊥	ώ	£
A	◻	→	*	:	J	Z	j	z	Λ	γ	ς	⊥	⊥	⊥	Α	·
B	♂	←	+	;	K	[k	{	M	δ	τ	⊥	⊥	⊥	Έ	√
C	♀	⊥	,	<	L	\	l		N	ε	υ	⊥	⊥	⊥	Ή	ⁿ
D	♪	↔	-	=	M]	m	}	Ξ	ζ	φ	⊥	⊥	⊥	Ί	²
E	♫	▲	.	>	N	^	n	˘	O	η	χ	⊥	⊥	⊥	Ό	▪
F	⊗	▼	/	?	O	_	o	△	Π	θ	ψ	⊥	⊥	⊥	Υ	∅

■ ISO 6: ASCII (0U)

	0	1	2	3	4	5	6	7	8	9	A	B	C	D	E	F
0			0	@	P	'	p									
1		!	1	A	Q	a	q									
2		"	2	B	R	b	r									
3		#	3	C	S	c	s									
4		\$	4	D	T	d	t									
5		%	5	E	U	e	u									
6		&	6	F	V	f	v									
7		'	7	G	W	g	w									
8		(8	H	X	h	x									
9)	9	I	Y	i	y									
A		*	:	J	Z	j	z									
B		+	;	K	[k	{									
C		,	<	L	\	l										
D		-	=	M]	m	}									
E		.	>	N	^	n	~									
F		/	?	O	_	o	☒									

ISO Substitution Tables

■ ISO 4: United Kingdom (1E)

	0	1	2	3	4	5	6	7	8	9	A	B	C	D	E	F
0			0	@	P	'	p									
1		!	1	A	Q	a	q									
2		"	2	B	R	b	r									
3		£	3	C	S	c	s									
4		\$	4	D	T	d	t									
5		%	5	E	U	e	u									
6		&	6	F	V	f	v									
7		'	7	G	W	g	w									
8		(8	H	X	h	x									
9)	9	I	Y	i	y									
A		*	:	J	Z	j	z									
B		+	;	K	[k	{									
C		,	<	L	\	l										
D		-	=	M]	m	}									
E		.	>	N	^	n	~									
F		/	?	O	_	o	☒									

■ ISO 11: Swedish (0S)

	0	1	2	3	4	5	6	7	8	9	A	B	C	D	E	F
0			0	É	P	é	p									
1		!	1	A	Q	a	q									
2		"	2	B	R	b	r									
3		#	3	C	S	c	s									
4		¤	4	D	T	d	t									
5		%	5	E	U	e	u									
6		&	6	F	V	f	v									
7		'	7	G	W	g	w									
8		(8	H	X	h	x									
9)	9	I	Y	i	y									
A		*	:	J	Z	j	z									
B		+	;	K	Å	k	å									
C		,	<	L	Ö	l	ö									
D		-	=	M	Ä	m	ä									
E		.	>	N	Ü	n	ü									
F		/	?	O	_	o	☒									

■ ISO 60: Danish/Norwegian (0D)

	0	1	2	3	4	5	6	7	8	9	A	B	C	D	E	F
0			0	@	P	`	p									
1		!	1	A	Q	a	q									
2		"	2	B	R	b	r									
3		#	3	C	S	c	s									
4		\$	4	D	T	d	t									
5		%	5	E	U	e	u									
6		&	6	F	V	f	v									
7		'	7	G	W	g	w									
8		(8	H	X	h	x									
9)	9	I	Y	i	y									
A		*	:	J	Z	j	z									
B		+	;	K	Æ	k	æ									
C		,	<	L	Ø	l	ø									
D		-	=	M	Å	m	å									
E		.	>	N	^	n	ˆ									
F		/	?	O	_	o	☒									

■ ISO 21: German (1G)

	0	1	2	3	4	5	6	7	8	9	A	B	C	D	E	F
0			0	§	P	`	p									
1		!	1	A	Q	a	q									
2		"	2	B	R	b	r									
3		#	3	C	S	c	s									
4		\$	4	D	T	d	t									
5		%	5	E	U	e	u									
6		&	6	F	V	f	v									
7		'	7	G	W	g	w									
8		(8	H	X	h	x									
9)	9	I	Y	i	y									
A		*	:	J	Z	j	z									
B		+	;	K	Ä	k	ä									
C		,	<	L	Ö	l	ö									
D		-	=	M	Ü	m	ü									
E		.	>	N	^	n	ß									
F		/	?	O	_	o	☒									

■ ISO 69: French (1F)

	0	1	2	3	4	5	6	7	8	9	A	B	C	D	E	F
0			0	à	P	µ	p									
1		!	1	A	Q	a	q									
2		"	2	B	R	b	r									
3		£	3	C	S	c	s									
4		\$	4	D	T	d	t									
5		%	5	E	U	e	u									
6		&	6	F	V	f	v									
7		'	7	G	W	g	w									
8		(8	H	X	h	x									
9)	9	I	Y	i	y									
A		*	:	J	Z	j	z									
B		+	;	K	°	k	é									
C		,	<	L	ç	l	ù									
D		-	=	M	§	m	è									
E		.	>	N	^	n	''									
F		/	?	O	_	o	☒									

■ ISO 15: Italian (0I)

	0	1	2	3	4	5	6	7	8	9	A	B	C	D	E	F
0			0	§	P	ù	p									
1		!	1	A	Q	a	q									
2		"	2	B	R	b	r									
3		£	3	C	S	c	s									
4		\$	4	D	T	d	t									
5		%	5	E	U	e	u									
6		&	6	F	V	f	v									
7		'	7	G	W	g	w									
8		(8	H	X	h	x									
9)	9	I	Y	i	y									
A		*	:	J	Z	j	z									
B		+	;	K	°	k	à									
C		,	<	L	ç	l	ò									
D		-	=	M	é	m	è									
E		.	>	N	^	n	ì									
F		/	?	O	_	o	☒									

■ ISO 17: Spanish (2S)

	0	1	2	3	4	5	6	7	8	9	A	B	C	D	E	F
0			0	§	P	`	p									
1		!	1	A	Q	a	q									
2		"	2	B	R	b	r									
3		£	3	C	S	c	s									
4		\$	4	D	T	d	t									
5		%	5	E	U	e	u									
6		&	6	F	V	f	v									
7		'	7	G	W	g	w									
8		(8	H	X	h	x									
9)	9	I	Y	i	y									
A		*	:	J	Z	j	z									
B		+	;	K	í	k	°									
C		,	<	L	Ñ	l	ñ									
D		-	=	M	¿	m	ç									
E		.	>	N	^	n	~									
F		/	?	O	_	o	☒									

Specifications

Hardware Specifications

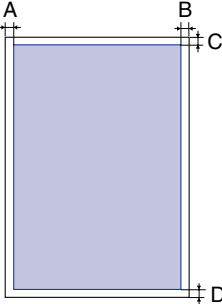
Type	Desktop Page Printer
Printing method	Electrophoto Method (On-demand fixing)
Resolution	600dpi
Printing speed Plain paper (60 to 89 g/m²)	When printing A4 continuously: 26 pages/min. * Print speed may drop in stages depending on the paper size, paper type, print copies, and the settings of the fixing mode. (This is because the safety function that prevents damage caused by heat becomes active.)
Warm-up time (20°C (68°F))	0 second from standby mode (approx. 9 seconds or less from power ON) * May vary depending on the use conditions (such as the toner cartridge you are using, menu setting, availability of the optional accessories, and installation environment).
First print time	When printing A4 with the printing side facing down Approx. 6.5 seconds or less * May vary depending on the toner cartridge you are using or the output environment.

Paper size	Cassette 1	- Standard sizes A4, B5, A5, Legal, Letter, Executive
	Cassette 2 (Optional)	- Custom sizes When loading paper in portrait orientation: Width 148.0 to 215.9 mm; Length 210.0 to 355.6 mm When loading paper in landscape orientation (Only when UFR II Printer Driver is used): Width 210.0 to 215.9 mm; Length 210.0 to 215.9 mm Paper capacity: approx. 250 sheets (80 g/m ²)
	Multi-purpose tray	- Standard sizes A4, B5, A5, Legal, Letter, Executive, Envelope DL, Envelope COM10, Envelope C5, Envelope Monarch, Envelope B5, Index Card, Statement, 16K - Custom sizes When loading paper in portrait orientation: Width 76.2 to 215.9 mm; Length 127.0 to 355.6 mm When loading paper in landscape orientation (Only when UFR II Printer Driver is used): Width 127.0 to 215.9 mm; Length 127.0 to 215.9 mm Paper capacity: approx. 50 sheets (80 g/m ²)
Automatic 2-sided printing	A4, Legal, Letter	
Paper output	Face-down/Face-up	
Output capacity	Face-down output tray: approx. 125 sheets (80 g/m ²) Face-up output slot: 1 sheet	
Noise (Declared noise emission in accordance with ISO 9296)	Lwad (declared A-weighted sound power level (1B = 10dB)) During standby: Background noise level During operation: 6.81 B or less Sound pressure level (Bystander position) During standby: Background noise level During operation: 55 dB (A) or less	
Operating environment (Printer unit only)	Operating environment temperature: 10 to 32.5°C (50 to 90.5°F) Humidity: 20 to 80 % RH (no condensation)	
Power supply	220 -240 V (±10 %) 50/60 Hz (±2 Hz)	
Power consumption (at temperature of 20°C (68°F))	Average during operation: approx. 403 W Average during standby: approx. 9 W Average in the Panel Off mode (Power Save Mode 1): approx. 8 W Average in the Deep Sleep mode (Power Save Mode 2): approx. 5 W Maximum: 950 W or less	

Consumables	Toner cartridge	<p>Number of printable pages: approx. 3,000 pages*¹ or 7,000 pages*¹ (Canon Genuine Cartridge)</p> <p>*1 When the pages are on the basis of "ISO/IEC 19752"*² on printing A4 size paper with the default print density setting</p> <p>*2 "ISO/IEC 19752" is the global standard related to "Method for the determination of toner cartridge yield for monochromatic electrophotographic printers and multi-function devices that may contain printer components" issued by ISO (International Organization for Standardization)</p>
Weight	Printer unit and included parts	<p>Printer (excluding the toner cartridge)..... approx. 11.4 kg</p> <p>Toner cartridge approx. 0.8 kg</p>
	Consumables and optional accessories	<p>Toner cartridge (Canon Genuine Cartridge) (Number of printable pages: approx. 3,000 pages) approx. 0.8 kg</p> <p>Toner cartridge (Canon Genuine Cartridge) (Number of printable pages: approx. 7,000 pages) approx. 1.0 kg</p> <p>PAPER FEEDER PF-35P (Including the paper cassette) approx. 3.5 kg</p>

Controller Specifications

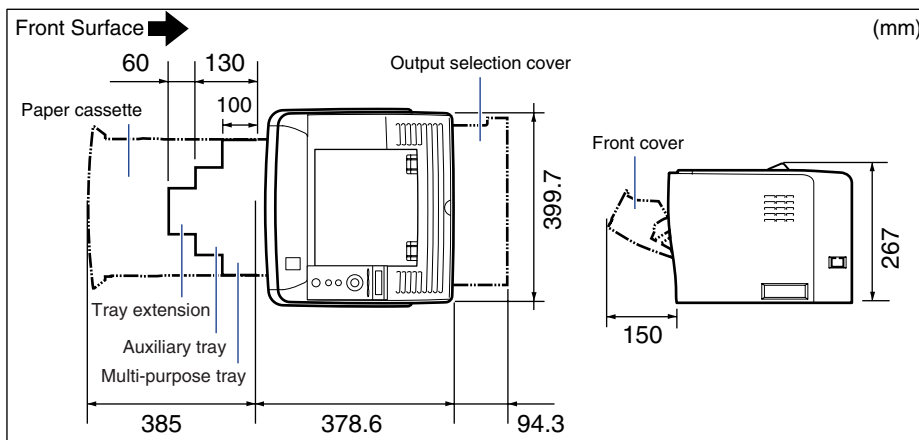
CPU	R4000 series-333 MHz* * The upper limit of the frequency range
Memory (RAM) capacity	64 MB
Host interface	USB 2.0 Hi-Speed/USB Full-Speed (USB1.1 equivalent) X 1 LAN connector (10BASE-T/100BASE-TX) X 1
User interface	LCD 16 characters X 1 line 8 LED indicators 8 Operation keys

Command language	PCL5e, PCL6, UFR II																																																												
Built-in fonts	PCL: 45 Scalable fonts, 10 Bitmap fonts																																																												
Printable area	<p>PCL5e, PCL6 The printable areas are as follows.</p> 																																																												
	<table border="1"> <thead> <tr> <th>Paper Size</th> <th>A: Left Edge</th> <th>B: Right Edge</th> <th>C: Top Edge</th> <th>D: Bottom Edge</th> </tr> </thead> <tbody> <tr> <td>A4</td> <td>6.1</td> <td>6.1</td> <td>5.0</td> <td>5.0</td> </tr> <tr> <td>B5</td> <td>6.1</td> <td>6.1</td> <td>5.0</td> <td>5.0</td> </tr> <tr> <td>A5</td> <td>6.1</td> <td>6.1</td> <td>5.0</td> <td>5.0</td> </tr> <tr> <td>Legal</td> <td>6.4</td> <td>6.4</td> <td>5.0</td> <td>5.0</td> </tr> <tr> <td>Letter</td> <td>6.4</td> <td>6.4</td> <td>5.0</td> <td>5.0</td> </tr> <tr> <td>Executive</td> <td>6.4</td> <td>6.4</td> <td>5.0</td> <td>5.0</td> </tr> <tr> <td>Statement</td> <td>6.4</td> <td>6.4</td> <td>5.0</td> <td>5.0</td> </tr> <tr> <td>16K</td> <td>6.4</td> <td>6.4</td> <td>5.0</td> <td>5.0</td> </tr> <tr> <td>Custom Size</td> <td>6.4</td> <td>6.4</td> <td>5.0</td> <td>5.0</td> </tr> <tr> <td>Index Card</td> <td>10.0</td> <td>10.0</td> <td>10.0</td> <td>10.0</td> </tr> <tr> <td>Envelope</td> <td>10.0</td> <td>10.0</td> <td>10.0</td> <td>10.0</td> </tr> </tbody> </table> <p style="text-align: right;">(Unit: mm)</p>	Paper Size	A: Left Edge	B: Right Edge	C: Top Edge	D: Bottom Edge	A4	6.1	6.1	5.0	5.0	B5	6.1	6.1	5.0	5.0	A5	6.1	6.1	5.0	5.0	Legal	6.4	6.4	5.0	5.0	Letter	6.4	6.4	5.0	5.0	Executive	6.4	6.4	5.0	5.0	Statement	6.4	6.4	5.0	5.0	16K	6.4	6.4	5.0	5.0	Custom Size	6.4	6.4	5.0	5.0	Index Card	10.0	10.0	10.0	10.0	Envelope	10.0	10.0	10.0	10.0
	Paper Size	A: Left Edge	B: Right Edge	C: Top Edge	D: Bottom Edge																																																								
A4	6.1	6.1	5.0	5.0																																																									
B5	6.1	6.1	5.0	5.0																																																									
A5	6.1	6.1	5.0	5.0																																																									
Legal	6.4	6.4	5.0	5.0																																																									
Letter	6.4	6.4	5.0	5.0																																																									
Executive	6.4	6.4	5.0	5.0																																																									
Statement	6.4	6.4	5.0	5.0																																																									
16K	6.4	6.4	5.0	5.0																																																									
Custom Size	6.4	6.4	5.0	5.0																																																									
Index Card	10.0	10.0	10.0	10.0																																																									
Envelope	10.0	10.0	10.0	10.0																																																									
	<p>UFR II Data cannot be printed within 5 mm margins on all sides of the paper. (For envelopes, 10 mm margin on all sides) * If you have selected the [Print with Upper Left of Sheet as Starting Point] check box in the [Finishing Details] dialog box in UFR II Printer Driver, you can extend the printable area to near the edges of the paper. However, the data may be printed with the edges missing when a document with no margins is printed, even if the [Print with Upper Left of Sheet as Starting Point] check box is selected. In this case, specify the scaling factor in UFR II Printer Driver to print smaller so that any data on the document will not miss, and then print again.</p>																																																												

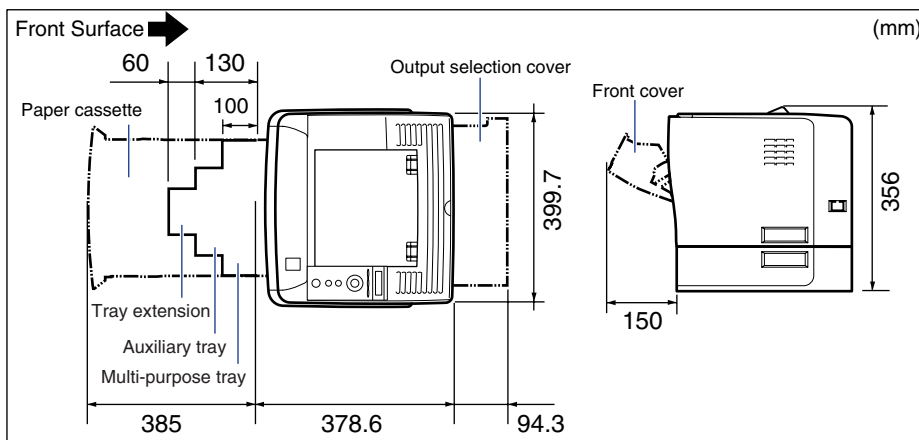
Dimensions of Each Part

■ Printer unit

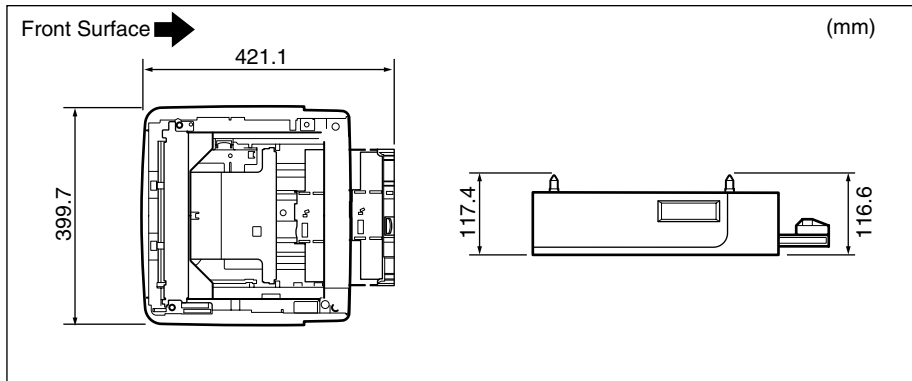
- Standard state



- State with the paper feeder installed



■ PAPER FEEDER PF-35P



Numerics

- 10 Indicator, 1-8
- 100 Indicator, 1-8
- 2-SIDED PRINT., 6-19, 6-54
- 2-sided Printing, 4-47
 - Paper Size Switch Lever, 4-49

A

- ADJ.START POS., 6-37
- Adjusting the Print Density, 7-18
- Adjusting the Printing Position, 7-22
- ALT.METHOD, 6-23
- APPEND CR TO LF, 6-43
- APPLETALK, 6-33
- AUTO ERROR SKIP, 6-12, 8-26
- AUTO SELECTION, 6-18
- Auxiliary Tray, 1-6

B

- BIND.LOCATION, 6-21
- Bitmapped Fonts (PCL), 10-7

C

- Cancel Job, 3-17
- Cancel Job Key, 1-10, 5-5
- CANCEL JOB Menu, 5-14
- Canceling a Job, 3-16
- Cassette 1, 4-10
- Cassette 2, 4-10
- CASSETTE1 SIZE, 4-18, 6-15, 6-54
- CASSETTE2 SIZE, 4-18, 6-16, 6-54
- Character Code Tables, 10-8

- CHK PAPER SIZE, 6-38
- CLEANING, 6-48
- Cleaning the Fixing Roller, 7-19
- Clearing Paper Jams, 8-8
- Command Prompt, 3-14
- Condensation, 7-17
- CONFIG.PAGE, 6-48
- Configuration Page, 2-35, 10-2
- CONNECT.RECOG., 6-36
- CONTROL MENU Options, 6-2
- Control Panel, 1-9
- COPIES, 6-20
- CUSTOM SIZE, 6-42

D

- DENSITY, 6-25
- DEVICE LOG LIST, 6-49
- Device Log List, 10-4
- Dimensions, 10-35
- Direct Print, 3-8
- Display, 1-11
 - Changing the Language, 2-38
- Duplex Unit Cover, 1-8

E

- ENLARG A4 WIDTH, 6-44
- ENLARG PRT AREA, 6-47
- Envelopes, 4-5, 4-39
- Error Message, 8-26
- Error Skip, 8-26
- ETHERNET DRIVER, 6-35

F

Face-down Output Tray, 1-7, 4-13
Face-up Output Slot, 1-8, 4-14
FEEDER MENU Options, 6-2
Feeder Selection Key, 1-10, 5-6
FONT NUMBER, 6-41
FONTS LIST, 6-48
Foot Positions, 2-6
Forced Output, 3-16
FORM FEED, 6-51
FORM LINES, 6-41
Front Cover, 1-7

G

GRADATION LEVEL, 6-24
GUTTER, 6-22

H

HALFTONES, 6-26
Handling
 Multi-purpose Tray, 4-12
 Paper Cassette, 4-12
 Printer, 7-37
 Toner Cartridge, 7-14
HARD RESET, 6-51
Hard Reset, 3-19
Heavy Paper, 4-4
How to View the Display, 5-7

I

I/F CONNECTION, 6-27
IMAGING SETUP Options, 6-8
IMGE REFINEMENT, 6-24
Index Card, 4-4
INIT.N/W SET., 6-36
Installation Environment, 2-3
Installation Procedure, 2-2
Installation Requirements, 2-4

Installation Site, 2-3
 Installation Environment, 2-3
 Installation Space, 2-5
Installation Space, 2-5
INTERFACE MENU Options, 6-4
INVLDPAPER TRAY, 6-18
ISO Substitution Tables, 10-27

J

Job Indicator, 1-10
Job Key, 1-10, 5-6
JOB LOG LIST, 6-50
JOB Menu, 5-12, 6-9

K

Keys, 5-5

L

Labels, 4-4
LAN, 2-28
LAN Connector, 1-8
Laser Beam, xix
LAYOUT MENU Options, 6-3
Lift Handles, 1-7

M

Menu Categories, 5-4
Menu Functions, 5-2
Menu Functions and Menu Operation, 5-9
Message, 8-26
Message Indicator, 1-10
MODE SELECTION, 6-36
MODE TIMEOUT, 6-27
Multi-purpose Tray, 1-6, 4-33
 Handling, 4-12
 Paper Size Setting, 4-44

N

NETWORK MENU, 6-29
Network Status Print, 10-3
NW STATUS PRINT, 6-49

O

Offline, 3-7
OFFSET X, 6-20
OFFSET Y, 6-20
[OK] Key, 1-10, 5-6
Online, 3-6
Online Indicator, 1-10
Online Key, 1-10, 5-5
Open Button, 1-7
Optional Accessories, 1-12
ORIENTATION, 6-40, 6-45
Output Selection Cover, 1-7
Output Trays, 4-13
 Paper Capacity, 4-15
 Selection, 4-16
Outputting Data (Forced Output), 3-16

P

PANEL LANGUAGE, 6-13
Paper, 4-2
 Loading Orientation, 4-51
 Print Area, 4-6
 Storage, 4-8
 Unusable Paper, 4-7
 Usable Paper, 4-2
Paper Cassette, 1-7, 4-17
 Handling, 4-12
 Paper Size Setting, 4-30
Paper Feed Roller, 8-21
Paper Feeder, 1-12
 Installation, 9-2
Paper Guides, 1-7
Paper Jams, 8-4
Paper Level Indicator, 1-7
PAPER SAVE (PCL SETUP), 6-40
PAPER SAVE (UFR II SETUP), 6-45

Paper Size, 4-2
Paper Size Switch Lever, 1-8
PAPER SOURCE, 6-53
Paper Source, 4-10
 Paper Capacity, 4-10
 Selection, 4-11
Paper Source Indicators, 1-9
Paper Type, 4-3
Parts and Their Functions, 1-6
PCL Fonts List, 10-5
PCL SETUP Options, 6-7
PCL UTILITY, 6-48
PDL SELECT(PnP), 6-13
Peripheral Space Required, 2-5
PITCH, 6-41
Plain Paper, 4-4
POINT SIZE, 6-41
Power Cord, 2-26
Power Indicator, 1-9
POWER SAVE MODE, 6-11
POWER SAVE TIME, 6-12
Power Saving, 3-2
Power Socket, 1-7
Power Supply
 Connecting the Power Cord, 2-26
 Problems, 8-38
 Turning the Printer OFF, 2-39
 Turning the Printer ON, 2-33
Power Supply Requirements, 2-4
Power Switch, 1-7
Pressure Release Levers, 1-7
Print Mode, 3-15
PRINT MODE Options, 6-6
PRINT POSITION, 6-46
Print Quality Problems, 8-45
Printer
 Checking the Operations, 2-35
 Cleaning, 7-28
 Handling, 7-37
 Moving, 7-31
 Operation Problems, 8-38
Printer Status to Enter the Menu Operation, 5-4
Printing Position Adjustment Print, 10-3
PRNTPOSNPRINT, 6-49
Problems with the Printout Results, 8-41
PWR SAVE IN ERR, 6-12

Q

QUALITY CHANGE, 6-26
QUALITY MENU Options, 6-3

R

Rating Label, 1-7
Ready Indicator, 1-9
RECVRY PRINTING, 6-38
REMOTE UI SET., 6-35
REPORTLOG LST, 6-50
Reset Key, 1-9, 5-6
RESET Menu, 5-13, 6-9
Rubber Pads, 4-12

S

Scalable Fonts (PCL), 10-6
SELECT FEEDER Menu, 5-15, 6-10
Serial No. Label, 1-8
Service Call Display, 8-36
Setting Items, 6-2
Setting Priority, 5-3
Settings Key, 1-10, 5-6
SETUP Menu, 5-9, 6-2
SETUP Menu Initialization, 5-17
SHOW WARNINGS (CONTROL MENU), 6-13
SHOW WARNINGS (IMAGING), 6-46
SHUT DOWN, 6-52
Shutting Down the Printer, 3-4
SMB, 6-33
SNMP V. 1, 6-34
SNMP V. 3 SET., 6-34
SOFT RESET, 6-51
Soft Reset, 3-18
SP.PRINT ADJ A, 6-39
Specifications, 10-31
 Controller, 10-33
 Hardware, 10-31
 Software, 10-34
START WAIT TIME, 6-35
STD PAPER SIZE, 4-18, 4-34, 6-16

STD PAPER TYPE, 4-18, 4-34, 6-19
Storing Printouts, 4-9
SUBSTITUTE SIZE, 6-39
SYMBOL SET, 6-42
Symbol Sets Supported, 10-8

T

TCP/IP SETTINGS, 6-29
Temperature/Humidity Conditions, 2-3
Toner Cartridge
 Before Replacing, 7-3
 Handling, 7-14
 Replacement, 7-2, 7-8
 Storage, 7-16
Toner Cartridge Guide, 1-8
TONER SAVE, 6-25
Transparencies, 4-4
Transport Guide, 1-8
Tray Extension, 1-7
TRAY PAPER SIZE, 4-33, 6-14, 6-54
TRAY PRIORITY, 6-17
TX/RX Indicator, 1-8
Typeface Samples, 10-6

U

UFR II SETUP Options, 6-8
UNIT OF MEASURE, 6-42
UPDATE FIRMWARE, 6-39
USB, 2-30
USB Connector, 1-8
USER MAIN. Options, 6-7
User Manual CD-ROM Menu, 1-4
Utility Key, 1-9, 5-6
UTILITY Menu, 5-11, 6-9

V

Ventilation Slots, 1-7, 1-8

X

X DIMENSION, 6-42

Y

Y DIMENSION, 6-43

Z

ZOOM, 6-45

Canon

CANON INC.

30-2, Shimomaruko 3-chome, Ohta-ku, Tokyo 146-8501, Japan

CANON U.S.A., INC.

One Canon Plaza, Lake Success, NY 11042, U.S.A.

CANON CANADA INC.

6390 Dixie Road Mississauga, Ontario L5T 1P7, Canada

CANON EUROPA N.V.

Bovenkerkerweg 59-61 1185 XB Amstelveen, The Netherlands

CANON FRANCE S.A.S.

17, quai du Président Paul Doumer 92414 Courbevoie Cedex, France

CANON COMMUNICATION & IMAGE FRANCE S.A.S.

12, rue de l'Industrie 92414 Courbevoie Cedex, France

CANON (U.K.) LTD.

Woodhatch, Reigate, Surrey, RH2 8BF, United Kingdom

CANON DEUTSCHLAND GmbH

Europark Fichtenhain A10, 47807 Krefeld, Germany

CANON ITALIA S.p.A.

Via Milano, 8 20097 San Donato Milanese (MI) Italy

CANON LATIN AMERICA, INC.

703 Waterford Way Suite 400 Miami, Florida 33126 U.S.A.

CANON AUSTRALIA PTY. LTD

1 Thomas Holt Drive, North Ryde, Sydney, N.S.W. 2113, Australia

CANON CHINA CO., LTD

15F Jinbao Building No.89 Jinbao Street, Dongcheng District, Beijing 100005, China

CANON SINGAPORE PTE. LTD.

1 HarbourFront Avenue #04-01 Keppel Bay Tower, Singapore 098632